



Freestanding Ranges

FFEF3013L M/W/B

30" Electric



Product Dimensions

Height	47"
Width	29-7/8"
Depth	28-1/2"

More Easy-To-Use Features

Extra-Large Window

Our extra-large oven window lets you easily see what's inside.

Hi/Lo Broil Option

Offers two-position broiling and variable temperature control for more control.

Smoothtop Cooking Surface

Timed Cook Option

Electronic Kitchen Timer

Bright Lighting

Our bright lighting makes it easy to see what's inside.

Manual Clean Oven

Available in:



Silver Mist (M)

White (W)

Black (B)

Signature Features

Ready-Select™ Controls

Select options or control cooking temperature with our easy-to-use controls.

SpaceWise™ Expandable Element

Flexible element expands to your cooking needs.

Even Baking Technology

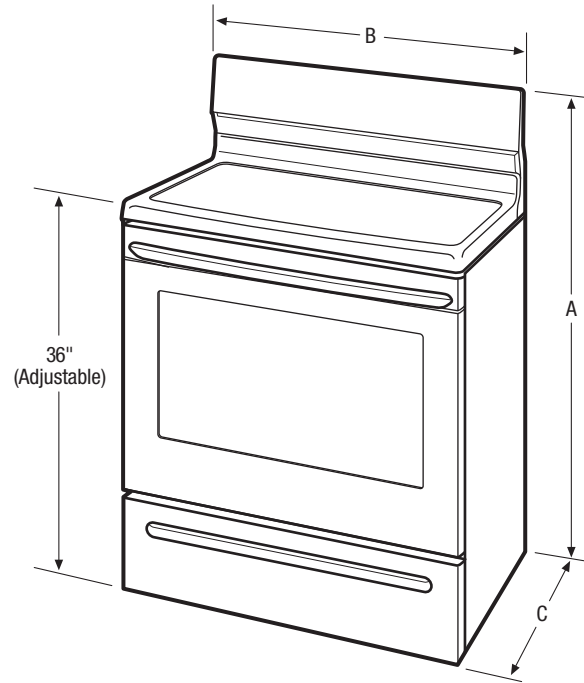
Our latest technology ensures even baking every time.

Store-More™ Storage Drawer

Our convenient drawer gives you extra storage space in your kitchen.

Elements	Size	Watts
Right Front	6" / 9" Expandable	2,500
Right Rear	6"	1,200
Left Front	9"	2,500
Left Rear	6"	1,200

Features	
Oven Control/Timing System	Ready-Select™ Controls
Surface Type	Black Ceramic Glass
Window	Extra-Large
Exterior Door Finish	Silver Mist (M), Color-Coordinated (W/B)
Handle Design	Black (M), Color-Coordinated (W/B)
Exterior Finish (Side Panels)	Black (M), Color-Coordinated (W/B)
Convection System	
Oven Cleaning System	Manual Clean
Drawer Functionality	Storage
Oven Controls	
Bake	Yes
Broil	Low and High
Add-a-Minute	
Delay Bake	
Self-Clean	
Quick Clean Option	
Delay Clean	
Kitchen Timer	Yes
Timed Cook Option	Yes
Auto Oven Shutoff	
Cooktop Features	
Right Front Element (Watts)	SpaceWise™ Expandable 6"/9" - 2,500
Right Rear Element (Watts)	6" - 1,200
Left Front Element (Watts)	9" - 2,500
Left Rear Element (Watts)	6" - 1,200
Center Element (Watts)	
Hot Surface Indicator Light	
Coil Cooktop/Drip Bowls	
Oven Features	
Capacity (Cu. Ft.)	4.8
Oven Light	1
Hidden Bake Element	
Rack Configuration	2 Standard
Even Baking System	
Broiling System	Vari-Broil™ Hi/Lo
Bake Element/Broil Element (Watts)	2,600/3,000
Specifications	
Oven Interior (H x W x D)	21" x 24-3/8" x 19-1/8"
Power Supply Connection Location	Middle Bottom Rear
Voltage Rating	240V/208V/60Hz
Connected Load (kW Rating) @ 240/208 Volts	11.5/8.5
Minimum Circuit Required (Amps)	40
Shipping Weight (Approx.)	138 Lbs.



NOTE: For planning purposes only. Always consult local and national electric codes. Refer to Product Installation Guide for detailed installation instructions on the web at frigidaire.com.



Product Dimensions	
A - Height	47"
B - Width	29-7/8"
C - Depth	28-1/2"
Depth with Door Open 90°	48-3/8"

Cutout Dimensions	
Height (standard)	36"
Width (min.)	30"
Depth (min.)	24"

Accessories information available on the web at frigidaire.com