

# WA54M8750AV

SAMSUNG

## Samsung activewash™ Top-Load Washer

5.4 cu. ft. Capacity DOE



### Signature Features

#### activewash™

- Built-in sink for pretreatment.

#### 5.4 cu. ft. Capacity

- Largest capacity in its class.\*

\*Based on USDOE/EPA listing, 27" Width Top Load Washer as of December 2016.

#### Steam Wash

- Uses the power of steam to remove stains without pretreatment.

### Available Colors



Black Stainless Steel



White



activewash™



5.4 cu. ft. Capacity

### Features

- activewash™
- 5.4 cu. ft. Capacity
- Steam Wash
- Super Speed
- Wi-Fi Connectivity
- VRT Plus®
- Self Clean
- Smart Care
- Integrated Touch Controls
- Swirl Interior Drum Design
- EZ Drawer Dispenser
- 800 RPM Maximum Spin Speed
- Stainless Steel Pulsator
- Direct Drive Motor
- Internal Heater

- 12 Preset Wash Cycles
- 11 Options
- LED Display: Ice Blue
- Door Lid: Chrome Deco  
Transparent Curved Glass
- Soft-Close Lid

### Convenience

- Child Lock
- Delay End
- 6 Temperature Settings
- 5 Spin Settings
- 5 Soil Settings
- Dispenser Trays: Main Wash,  
Softener, Bleach (Manual)

### Rating



ENERGY STAR®-rated  
IMEF = 2.06  
IWF = 4.3  
180 kWh/yr

# WA54M8750AV

# SAMSUNG

## Samsung activewash™ Top-Load Washer

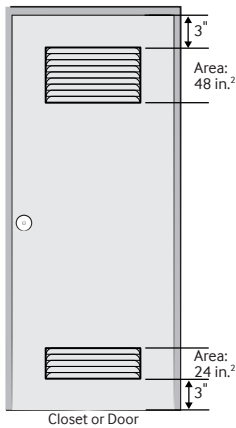
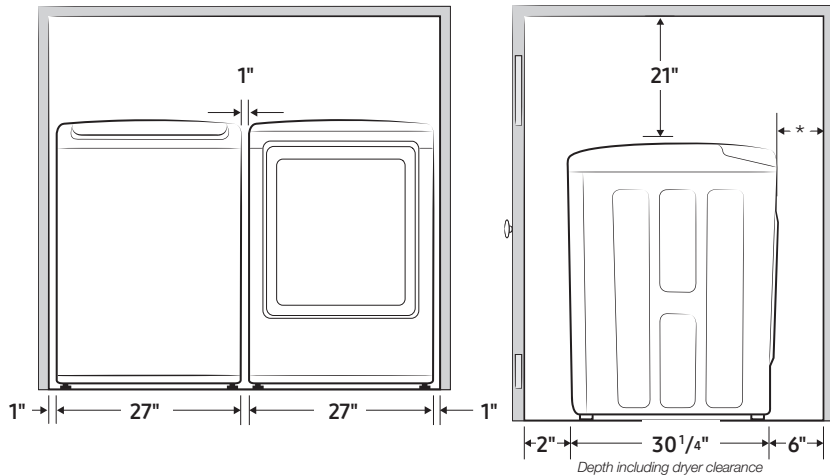
5.4 cu. ft. Capacity DOE

### Installation Specifications

#### Alcove or closet installation

Recessed Area

Side View Contined



#### Minimum clearances for closets and alcoves:

- Sides – 1"
- Top – 21"
- Rear – 6"
- Closet Front – 2"

If the washer and dryer are installed together, the closet front must have at least a 72-inch<sup>2</sup> unobstructed air opening. Your washer alone does not require a specific air opening.

\*Required spacing (External exhaust elbow may require additional space.)

#### 12 Preset Wash Cycles:

Normal, Super Speed, Bedding/WaterProof, Heavy Duty, Permanent Press, Steam Sanitize, Brilliant Whites, Delicates/Hand Wash, Quick Wash, Rinse + Spin, Spin Only, Deep Wash

#### 11 Options:

Self Clean, Delay End, My Cycle, Pre Soak, Extra Rinse, Sound On/Off, Child Lock, Fabric Softener, Smart Care, Smart Control, Eco Plus

#### 6 Temperature Settings:

Extra Hot, Hot, Warm, Eco Warm, Cold, Cool

#### 5 Spin Settings:

Extra High, High, Medium, Low, No Spin

#### 5 Soil Settings:

Heavy, Heavy Medium, Normal, Low Medium, Light

#### 2 Sound Level Settings:

On/Off

#### Dispenser Trays:

Main Wash, Softener, Bleach (Manual)

#### Warranty

- One (1) Year Parts and Labor
- Three (3) Years Stainless Steel Drum (Part Only)
- Ten (10) Years Direct Drive Motor (Part Only)

#### Product Dimensions & Weight (WxHxD)

Dimensions: 27" x 42<sup>7</sup>/<sub>16</sub>" x 29<sup>5</sup>/<sub>16</sub>"  
Weight: 136.7 lbs

#### Shipping Dimensions & Weight (WxHxD)

Dimensions: 29<sup>1</sup>/<sub>2</sub>" x 45<sup>5</sup>/<sub>8</sub>" x 31"  
Weight: 145.5 lbs

#### Color

Color	Model #	UPC Code
Black Stainless Steel	WA54M8750AV	887276196466
White	WA54M8750AW	887276196473

#### Matching Dryer (Electric/Gas)

Black Stainless Steel	DVE54M8750V	887276197005
White	DVE54M8750W	887276196893
Black Stainless Steel	DVG54M8750V	887276197043
White	DVG54M8750W	887276197050

### Dimensions

