

Single Wall Ovens

FGEW276SP F/B

27" Electric



Product Dimensions

Height	29"
Width	27"
Depth	24-7/8"

More Easy-To-Use Features

One-Touch Self Clean

Your oven cleans itself — so you don't have to. Self clean options available in 2-, 3-, and 4-hour cycles.

Power Broil

Added power means you can broil food faster.

Delay Start

Set your oven to begin cooking on your schedule. It can be programmed from one to 24 hours.

Express-Select® Controls

Easily set cooking temperature or choose one-touch cooking options.

Reversible Door

Sabbath Mode (Star-K® Certified)

Available in:



Stainless
(F)

Black
(B)

¹Select models only.

Signature Features



True Convection

Single convection fan circulates hot air throughout the oven for faster and more even multi-rack baking.



Vari-Broil™ Temperature Control

Select from six broil temperatures.



Smudge-Proof™ Stainless Steel¹

Resists fingerprints and cleans easily.

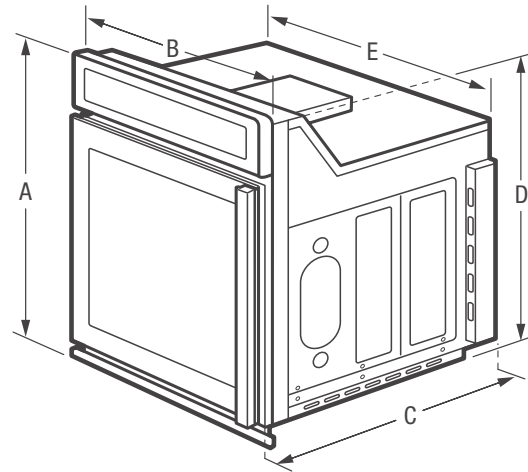


One-Touch Keep Warm Setting

Just one touch of a button keeps food warm until everything — and everyone — is ready.

Features	
Oven Control/Timing System	Express-Select*
Window	Large
Exterior Door Finish	Smudge-Proof™ Stainless Steel (F), Colour-Coordinated (B)
Handle Design	Stainless Steel (F), Colour-Coordinated (B)
Reversible Door	Yes
Oven Cleaning System	Self-Clean w/ Steam Clean Option
Oven Controls	
Bake/Broil	Yes/ Variable (High-Low)
Effortless™ Convection Conversion	Yes
Convection Bake/Broil/Roast	Yes/ Yes/No
Quick Preheat	Yes
My Favourite	
Slow Cook	
Effortless™ Temperature Probe	Yes
Keep Warm	Yes
Add-a-Minute	
Delay Start	Yes
Self-Clean/Clean Options	Yes/ 2, 3, 4 Hours
Steam Clean	Yes
Delay Clean	Yes
Kitchen Timer	Yes
Timed Cook Option	Yes
Control Lock	Yes
Auto Oven Shut-Off	Yes
Oven Lock-Out	Yes
Oven Features	
Capacity (Cu. Ft.)	3.8
Convection System	True Convection
Oven Light	2 Halogen
Hidden Bake Element	Yes
Rack Configuration	2 Handle
Baking System	Radiant Baking Technology
Broiling System	Vari-Broil™
Bake/Broil Element (Watts)	1,450/3,400
Optional Accessories	
3"-High Bottom Trim - Stainless Steel (F)/Black (B)	(F) PN# 903114-901S (B) PN# 903114-9010
10'-Long Armoured Power Cable	PN# 903056-9010
Certifications	
Sabbath Mode (Star-K® Certified)	Yes
Specifications	
Oven Interior (H x W x D)	17" x 20-1/2" x 18-3/4"
Power Supply Connection Location	Left Bottom Rear
Voltage Rating	240V / 208V / 60Hz
Connected Load (kW Rating) @ 240/208 Volts ¹	3.7/2.8
Amps @ 240/208 Volts	15.4/13.4
Minimum Circuit Required (Amps)	20
Approved for Under-Counter Installation	Yes
Shipping Weight (Approx.)	130 Lbs.

¹Single phase 3- or 4-wire cable, 120/240 or 120/208 Volt, 60 Hertz AC only electrical supply with ground required on separate circuit fused on both sides of line.



NOTE: For planning purposes only. Always consult local and national electric codes. Refer to Product Installation Guide for detailed installation instructions on the web at frigidaire.ca.



Product Dimensions	
A - Height	29"
B - Width	27"
C - Depth	24-7/8"
D - Height (Wrapper)	27-1/4"
E - Width (Wrapper)	24-5/8"
Depth with Door Open 90°	50-3/4"

Cutout Dimensions	
Height (Min.)/(Max.)	27-1/4" / 28-1/4"
Width (Min.)/(Max.)	24-7/8" / 25-1/4"
Depth (Min.)	23-1/2"

Accessories information available on the web at frigidaire.ca