

GSD4000/4060K

GE® Series Built-In Dishwasher

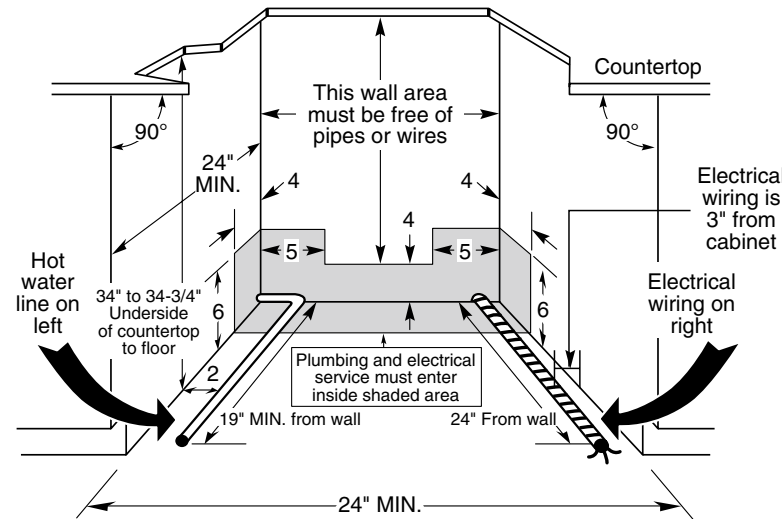
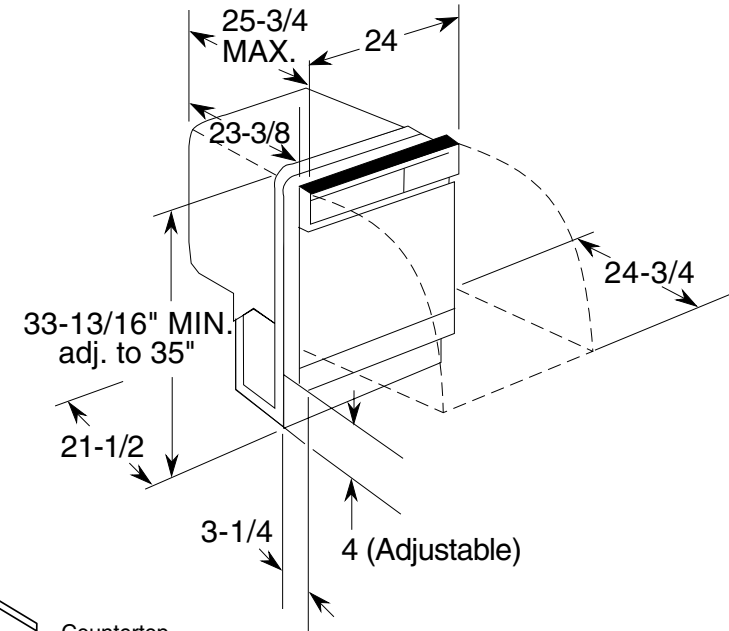
DIMENSIONS AND INSTALLATION INFORMATION (IN INCHES)

ELECTRICAL RATING

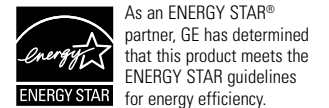
Voltage AC	120
Hertz.....	60
Total connected load amperage.....	6.2
Calrod® heater watts max.....	500

For use on adequately wired 120-volt, 15-amp circuit having 2-wire service with a separate ground wire. This appliance must be grounded for safe operation.

NOTE: Dishwasher must not be installed more than 10 feet from sink for proper drainage. All plumbing and electrical work must be in accordance with local codes.



For answers to your Monogram®, GE Profile™ or GE® appliance questions, visit our website at geappliances.com or call GE Answer Center® service, 800.626.2000.



GSD4000/4060K

GE® Series Built-In Dishwasher

FEATURES AND BENEFITS

5-level wash system – Powerful wash cleans dishes thoroughly

Two-stage filtration with Extra Fine filter – Extra filtration keeps water clean

Piranha™ hard-food disposer – Grinds food into small particles that are washed away

Hot Start option – Provides optimal water temperature for dependable performance

Electronic controls – Controls are easy to read and easy to use

2/4/8-hour Delay Start – Wash dishes at your convenience

Control lock - Helps protect against accidental activation

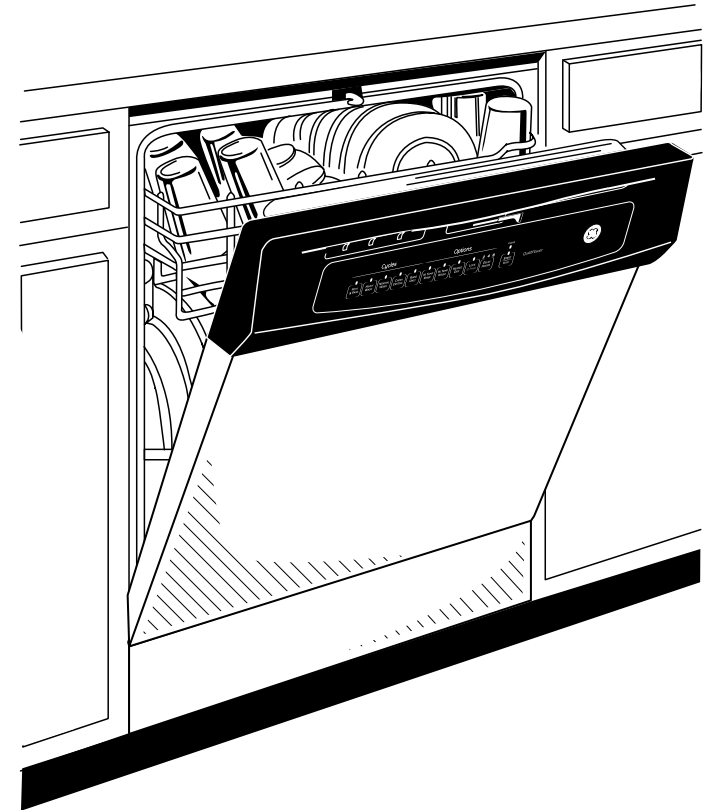
China/ Crystal cycle – Cleans and protects delicate dishware

Audible end-of-cycle signal – Alert signals when cycle is complete

Model GSD4000KWW – White on white

Model GSD4000KBB – Black on black

Model GSD4060KSS – Stainless steel



GE APPLIANCES