

PSB9100SF

GE Profile™ Series 27 in. Single Wall Oven with Advantium® Technology

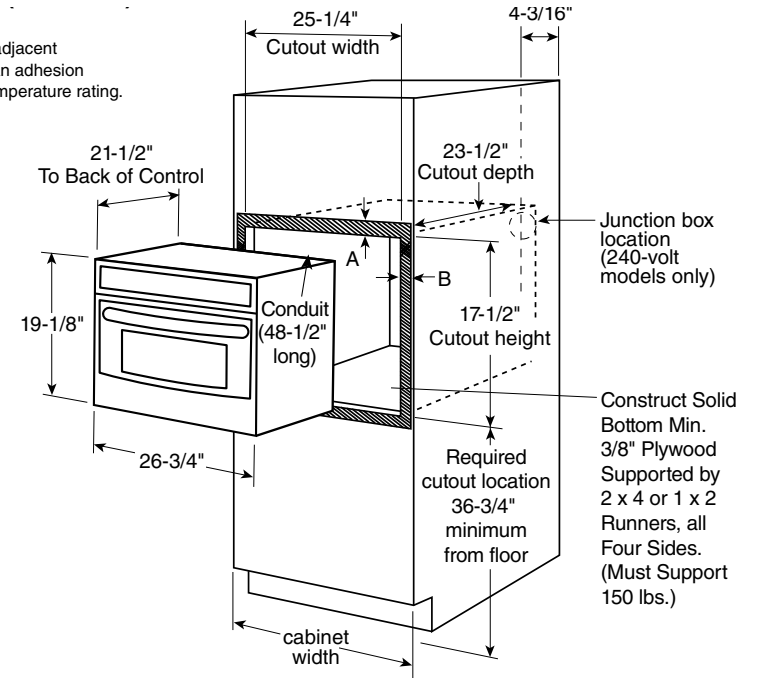
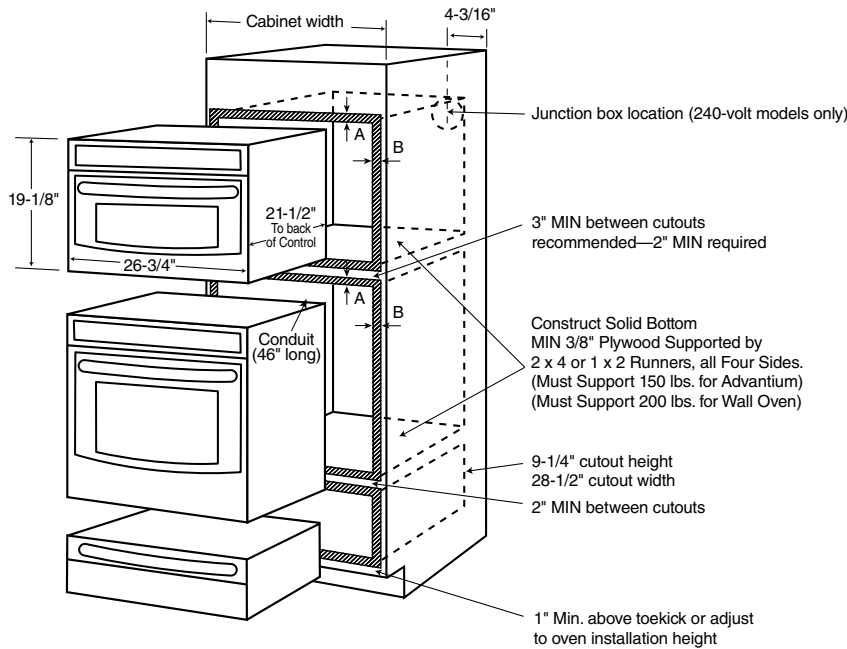
Advantium wall oven/GE Profile™ Series cooking tower dimensions and cabinet installation information (in inches)

Note: Cabinets installed adjacent to wall ovens must have an adhesion spec of at least a 194°F temperature rating.

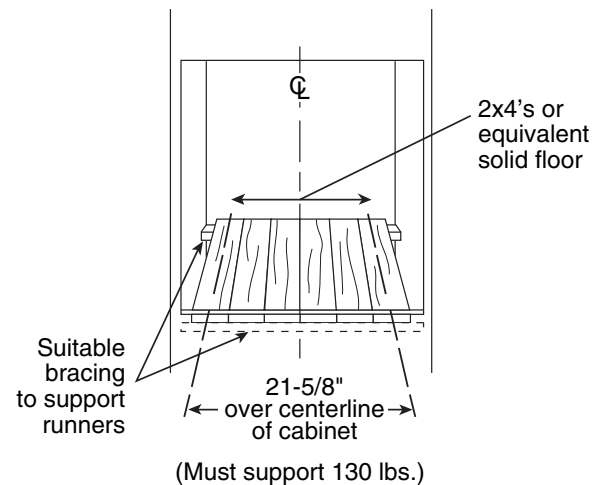
Note: 2" minimum between cutouts when installed above warming drawer or single wall oven.

Installation Information:

Before installing, consult installation instructions packed with product for current dimensional data.



A=Allow 1" overlap of oven over bottom edge of cutout.
B=Allow 11/16"-3/4" for overlap of oven over side edges of cutout.



imagination at work

For answers to your Monogram® or GE® appliance questions, visit our website at geappliances.com or call GE Answer Center® service, 800.626.2000.



Listed by Underwriters Laboratories

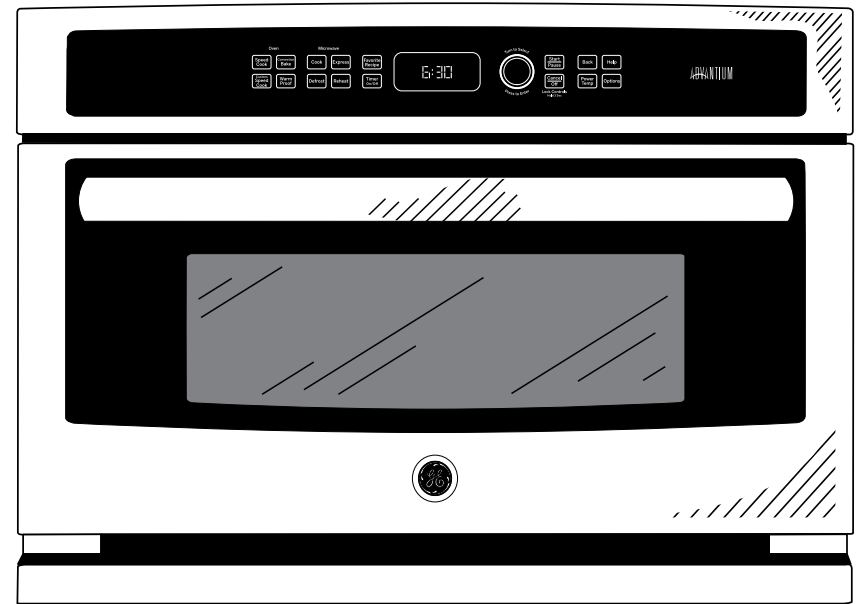
Specification Revised 7/14

PSB9100SF

GE Profile™ Series 27 in. Single Wall Oven with Advantium® Technology

Features and Benefits

- Speedcook oven (120) - Enjoy oven-quality results two to four times faster than a conventional oven
- Multiple cooking functions - Expand your cooking versatility with an all-in one oven
- Halogen heat - Skip the preheating with nearly instantaneous halogen heat
- Over 175 preprogrammed menu selections - Preprogrammed selections make meals easy
- Custom recipe saver - Conveniently store cooking instructions for up to 30 different recipes
- Model PSB9100SFSS – Stainless Steel



imagination at work