

GTW460ASJ

GE® Series 4.2 DOE cu. ft. stainless steel capacity washer

DIMENSIONS AND INSTALLATION INFORMATION (IN INCHES)

CIRCUIT REQUIREMENTS: An individual, properly-grounded branch circuit, with a three-prong grounding-type receptacle, protected by a 15 or 20 amp circuit breaker or a time-delay fuse, is required.

ELECTRICAL RATING:

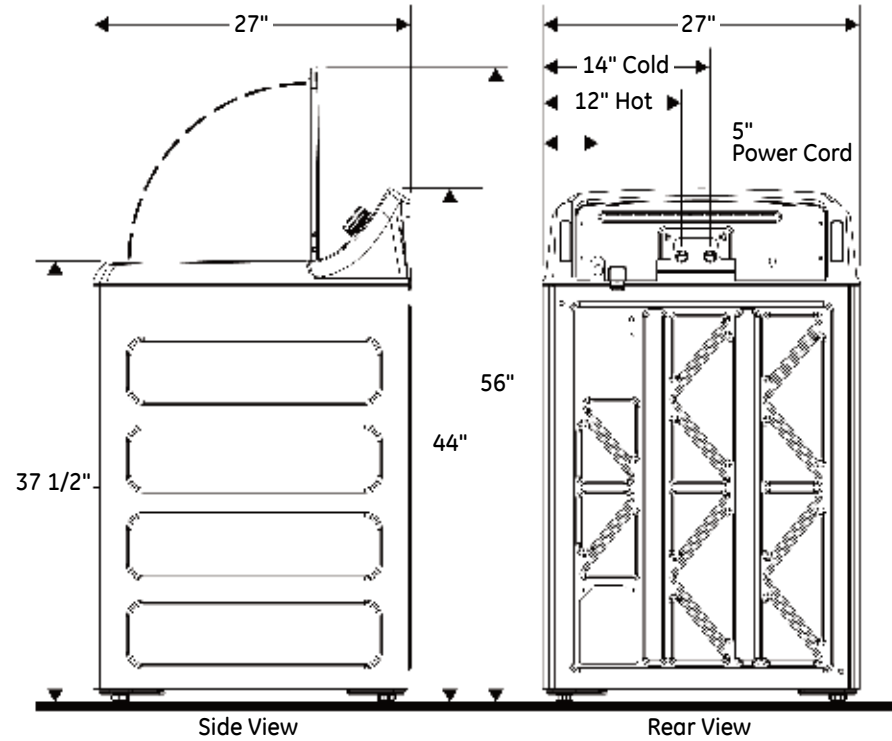
120V, 60Hz

WASHER NOTE:

Washer wall outlet must be located within 36" of service cord entry. Wall outlet must not be located behind dryer.

INSTALLATION INFORMATION:

Before installing, consult installation instructions packed with your washer.



GE APPLIANCES

For answers to your Monogram,® GE Profile™ or GE® appliance questions, visit our website at geappliances.com or call GE Answer Center® service, 800.626.2000.



Listed by Underwriters Laboratories

Specification Created 7/15

GTW460ASJ

GE® Series 4.2 DOE cu. ft. stainless steel capacity washer

FEATURES AND BENEFITS

Deep Fill – Adds more water for larger loads

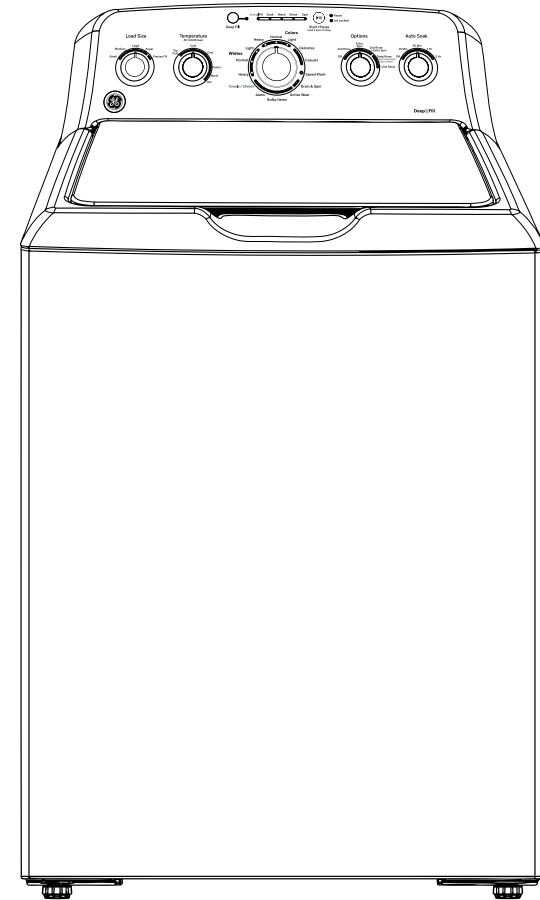
Deep Rinse – Removes any leftover soap residue

Auto Soak – Loosens stains by soaking up to 2 hours

Speed Wash – Delivers ready-to-go results within minutes

Load Size – Automatically measures load size, and adjusts settings and water levels accordingly. Settings are customizable, so you always get the wash you want

Model GTW460ASJWW – White



MODIFIED ENERGY FACTOR (IMEF)	1.35
WATER FACTOR (IWF)	7.0



GE APPLIANCES