

**CO29 • 21" Marine Combo® Model • Marine Series**

**FEATURES & BENEFITS**



BLACK  
SOLID



WHITE  
SOLID

<b>PERFORMANCE</b>	<ul style="list-style-type: none"> <li>• Refrigerator volume of 2.1 cu ft holds up to 24 bottles (12 oz) or 44 cans (12 oz)</li> <li>• Mechanical Dial Control is conveniently located on the grille</li> <li>• Temperature range: 34°F - 45°F</li> <li>• Daily ice produces up to 18 lbs of ice</li> <li>• Up to 13 lbs in ice storage capacity</li> <li>• Crescent ice cube dimensions: 1/2" W x 3/4" H x 1/2" L</li> <li>• Available in 115 or 220 - 240 volts</li> </ul>
<b>INTERIOR/EXTERIOR</b>	<ul style="list-style-type: none"> <li>• No drain required</li> <li>• Two removable tempered glass shelves</li> <li>• Two fixed storage compartments in door</li> <li>• Door swing is field reversible</li> <li>• Standard travel package includes door latch, ensuring safe-at-sea storage</li> <li>• Corrosion and UV resistant components provide product longevity in harsh environments</li> </ul>
<b>INTEGRATION</b>	<ul style="list-style-type: none"> <li>• Unit is designed to be built-in or can be freestanding</li> <li>• Available in the following finishes: Black or White</li> <li>• Accepts a 1/4" custom panel</li> </ul>

**MODEL DETAILS**

Model	Voltage/Hz	Door Swing	Finish	Shipping Weight
ULN-CO29B-03A	115 / 60	Right-Hand Hinge	Black Solid	94 lbs
ULN-CO29B-20A	220-240 / 50	Right-Hand Hinge	Black Solid	94 lbs
ULN-CO29W-03A	115 / 60	Right-Hand Hinge	White Solid	94 lbs
ULN-CO29W-20A	220-240 / 50	Right-Hand Hinge	White Solid	94 lbs

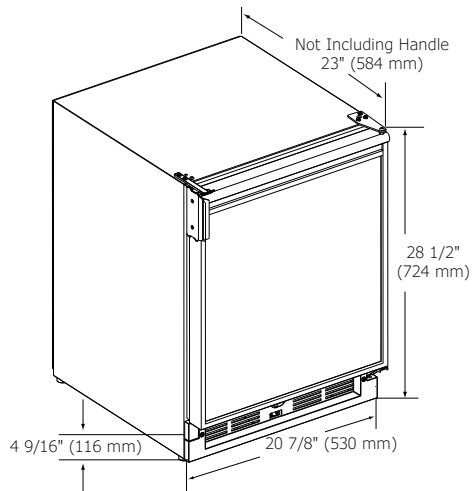
**ACCESSORIES**

Model	Description	Finish	Shipping Weight
WATERHOOKUP	Braided water supply line kit	na	2 lbs

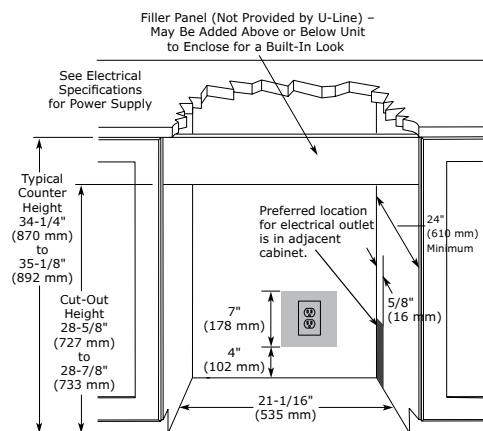
Marine Series • 21" Marine Combo® Model • C029

**DIMENSIONS**

Dimensions shown apply to all finishes, including Integrated (INT) models with 3/4" integrated panel/frame installed.



**CABINET CUT-OUT**



**SPECIFICATIONS**

Model	C029
Amps: Running (115 v)	2.5
Amps: Running (220 - 240 v)	1.2
Amps: Max Start Up (115 v)	18
Amps: Max Start Up (220 - 240 v)	6
Capacity: Bottle (12 oz)	24
Capacity: Can (12 oz)	44
Capacity: Volume (cu ft)	2.1
Control Type	Mechanical Dial
Defrost Type	Manual
Dimensions: Product Depth	23" / 584 mm
Dimensions: Product Height	28 1/2" / 724 mm
Dimensions: Product Width	20 7/8" / 530 mm
ENERGY STAR	na
Panel Type	Insert
Panel Thickness	1/4" (6.3 mm)
Panel Height	21 13/32" (544 mm)
Panel Width	19 13/16" (503 mm)
Ice Production Per Day	18 lbs
Ice Storage	13 lbs
Product Weight: Max	85 lbs
Refrigerant Type	R134A
Sabbath (Star K Certified)	No
Temperature Range	34°F - 45°F

**INSTALLATION NOTES**

- Cutout includes the additional 1/4" width overall to ensure proper installation.
- No additional clearance around sides, top or rear of unit is needed for ventilation.
- Do not obstruct front grille air flow.

UL listing only applies to 115 v models.

Please visit [u-line.com](http://u-line.com) to view this model's User Guide. All specifications are subject to change without notice.

