



Home Comfort

FFTH0822R1

Through-The-Wall Air Conditioner/Heater



Signature Features

Effortless™ Temperature Control

Our air conditioners maintain the preset room temperature, so you will remain comfortable at all times.

Programmable 24-Hour On/Off Timer

With the 24-Hour On/Off Timer, you can ensure your home will be cool and comfortable when you want it to be without having to worry about running up your utility bills. The built-in timer allows you to preset the unit to turn on and off in half-hour increments.

Energy Saver Mode

Reduce your utility bills in this mode. It cools similarly to central air, with the unit turning on and off at different intervals to ensure the room temperature stays at the set temperature.

Multi-Speed Fan

Features three different fan speeds, for more cooling flexibility.

Product Dimensions

Height	14-1/2"
Width	24"
Depth	20-1/2"

More Easy-To-Use Features

Supplemental Heating Option

With our supplemental heating capability, you can be comfortable regardless of the temperature outside — you have both heating and cooling solutions!

Sleep Mode

With Sleep Mode, the temperature gradually increases a few degrees over the evening, saving energy and creating a comfortable environment during the evening hours.

Remote Control

Offers you the flexibility to control the temperature and fan speed from anywhere in the room.

Effortless™ Clean Filter

Our antibacterial filter reduces bacteria, room odors and other airborne particles for a healthier, more comfortable environment.

Power Cord

Comes with an extra long three-prong cord — makes extension cords unnecessary.

Effortless™ Restart

Automatically resumes operating at its previous settings when power is restored to your unit.

Clean Filter Alert

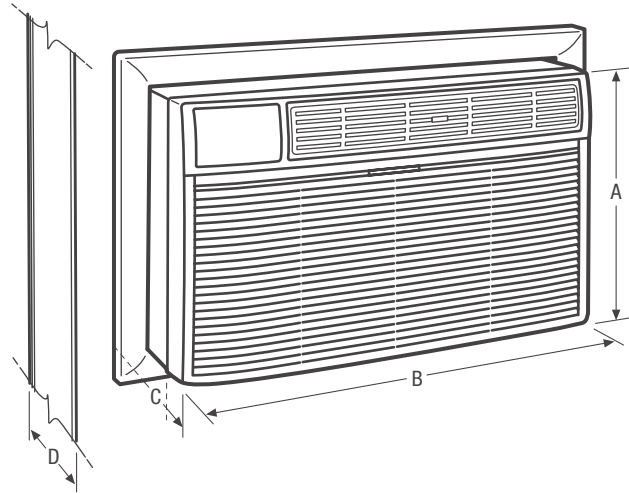
Alert notifies you when your filter needs to be cleaned so you don't have to keep track of it yourself.

Ready-Select® Controls

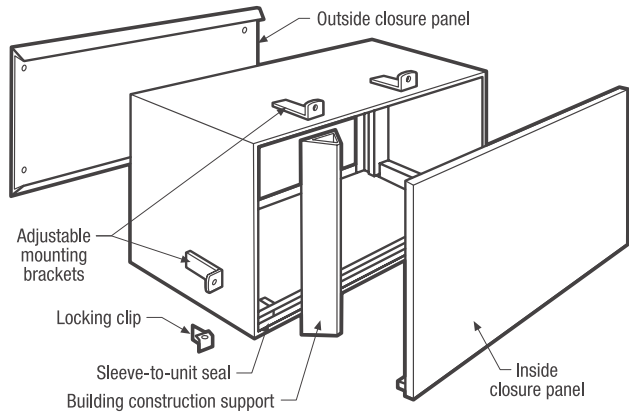
Easily select options with the touch of a button.

Performance	BTUs
Cool	8,000
Heat	4,200

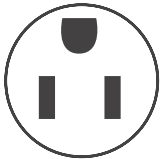
Performance	
BTU (Cool)	8,000
BTU (Heat)	4,200
Dehumidification (Pints/Hour)	1.8
Cool Area (Up To Sq. Ft.)	350
Combined Energy Efficiency Ratio	9.6
Energy Efficiency Ratio	9.6
Electrical	
Volts	115
Amps (Cool)	8.0
Amps (Heat)	12.0
Watts (Cool)	830
Watts (Heat)	1,250
Length of Power Cord (Min./Max.)	6' / 6.5'
Plug Type (NEMA)	LCDI (5-15P)
Features	
Electronic Controls	Ready-Select® Controls
Fan Speeds (Cool/Fan/Heat)	3/3/1
Low Voltage Start-Up	Yes
Auto Cool Function	Yes
Energy Saver Mode	Yes
Sleep Mode	Yes
Filter Check	Yes
24-Hour On/Off Timer	Yes
Clean Air Ionizer	
Remote Control	Full-Function with Heat
Air CFM (High/Med/Low)	269 / 234 / 202
Air Direction Control	4-Way
Fresh Air/Exhaust Vent/Closed	No / No / Yes
Filter Type	Antibacterial Mesh
Filter Access	Slide-Out
Slide-Out Chassis	
Warranty ¹	Yes
Optional Accessories	
Through-The-Wall 18" Sleeve Kit	PN# EA108T
Trim Kit (for larger existing sleeve)	PN# EA120T
Architectural-Style Exterior Louvered Grille	PN# EA109T
Certifications	
Performance	AHAM
Specifications	
Refrigerant	R410a
Shipping Weight (Approx.)	76 Lbs.



Through-The-Wall 18" Sleeve Kit (PN# EA108T)



¹Warranty 5 year sealed system/1 year full parts and labor.



Plug Type (NEMA)
5-15P

NOTE: For planning purposes only. Always consult local and national electric codes. Refer to Product Installation Guide for detailed installation instructions on the web at frigidaire.com.



Product Dimensions	
A - Height	14-1/2"
B - Width	24"
C - Depth	20-1/2"
D - Max. Wall Thickness	18"

Sleeve Cutout Dimensions	
Height	15-5/8"
Width	25-15/16"

Accessories information available on the web at frigidaire.com

FRIGIDAIRE