

CO29

21" Marine Combo® Model • Marine Series

FEATURES & BENEFITS



BLACK
SOLID



WHITE
SOLID

PERFORMANCE

- Refrigerator volume of 2.1 cu ft holds up to 24 bottles (12 oz) or 44 cans (12 oz)
- Mechanical Dial Control is conveniently located on the grille
- Temperature range: 34°F - 45°F
- Produces and stores up to 8 lbs of ice per day
- Crescent ice cube dimensions: 1/2" W x 3/4" H x 1/2" L
- Available in 115 or 220 - 240 volts

INTERIOR/EXTERIOR

- No drain required
- Two removable tempered glass shelves
- Two fixed storage compartments in door
- Door swing is field reversible
- Standard travel package includes door latch and ice flap, ensuring safe-at-sea storage
- Corrosion and UV resistant components provide product longevity in harsh environments

INTEGRATION

- Unit is designed to be built-in or can be freestanding
- Available in the following finishes: Black or White
- Accepts a 1/4" custom panel

MODEL DETAILS

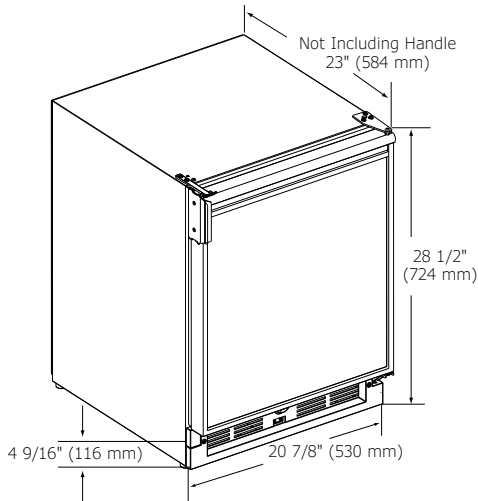
Model	Voltage	Door Swing	Finish	Shipping Weight
ULN-CO29B-03A	115	Right-Hand Hinge	Black Solid	94 lbs
ULN-CO29B-20A	220 - 240	Right-Hand Hinge	Black Solid	94 lbs
ULN-CO29W-03A	115	Right-Hand Hinge	White Solid	94 lbs
ULN-CO29W-20A	220 - 240	Right-Hand Hinge	White Solid	94 lbs

ACCESSORIES

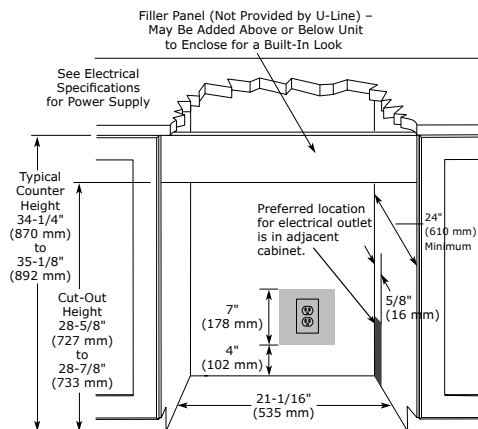
Model	Description	Finish	Shipping Weight
WATERHOOKUP	Braided water supply line kit	na	2 lbs

DIMENSIONS

Dimensions shown apply to all finishes.



CABINET CUT-OUT



INSTALLATION NOTES

- Cutout includes the additional 1/4" width overall to ensure proper installation.
- No additional clearance around sides, top or rear of unit is needed for ventilation.
- Do not obstruct front grille air flow.

UL listing only applies to 115 v models.

Please visit u-line.com to view this model's User Guide. All specifications are subject to change without notice.

SPECIFICATIONS

Model	CO29
Amps: Running (115 v)	2.5
Amps: Running (220 - 240 v)	1.2
Amps: Max Start Up (115 v)	18
Amps: Max Start Up (220 - 240 v)	6
Capacity: Bottle (12 oz)	24
Capacity: Can (12 oz)	44
Capacity: Volume (cu ft)	2.1
Control Type	Mechanical Dial
Defrost Type	Manual
Dimensions: Product Depth	23" / 584 mm
Dimensions: Product Height	28 1/2" / 724 mm
Dimensions: Product Width	20 7/8" / 530 mm
ENERGY STAR	na
Ice Production Per Day	25 lbs
Ice Storage	13 lbs
Product Weight: Max	85 lbs
Refrigerant Type	R134A
Sabbath (Star K Certified)	No
Temperature Range	34°F - 45°F

ELECTRICAL REQUIREMENTS

This unit requires a grounded a polarized 115 VAC, 60 Hz, 15 A power supply (normal household current).

