



Freezer

FFFU17M1QW

Manual Defrost
17 Cu. Ft. Upright



Product Dimensions

| | |
|---------------------------|-----------|
| Height (Including Hinges) | 67-11/16" |
| Width | 34" |
| Depth (Including Door) | 28-1/2" |

More Easy-To-Use Features

Defrost Water Drain

Use the drain to conveniently remove water during defrosting.

Color-Coordinated Handle

Adjustable Temperature Control

Select the correct temperature for your needs.

Available in:



White
(W)

Signature Features

Built with American Pride

Appliances that are high-performing, more accessible, and more innovative than ever — designed, built, and engineered in the U.S.A.

Bright Lighting

Our bright lighting makes it easy to see what's inside.

Lock with Pop-Out Key

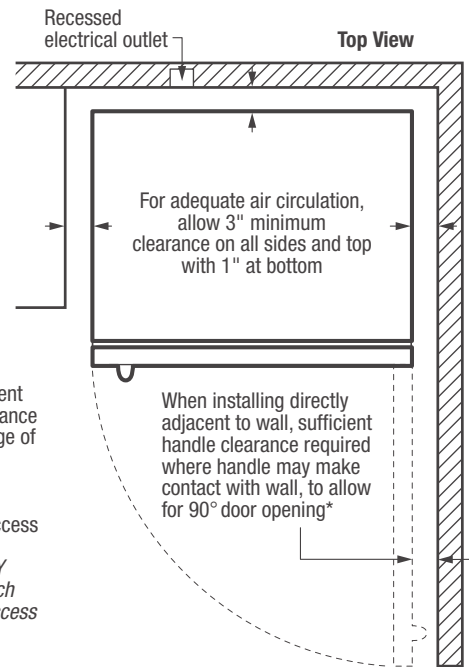
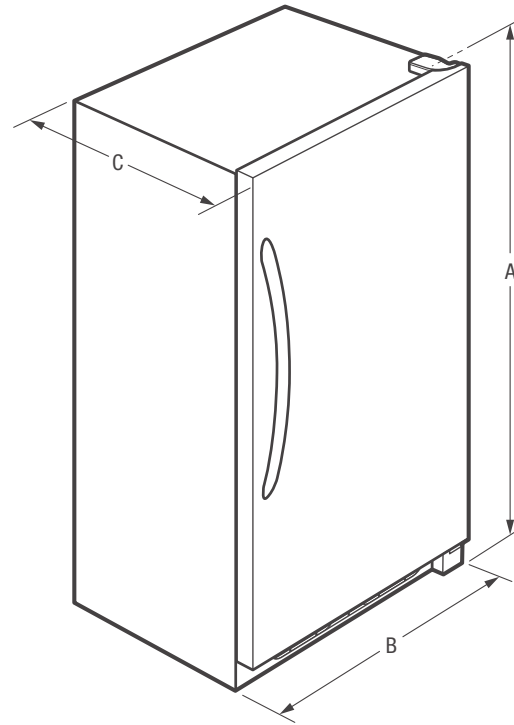
The freezer key automatically ejects after locking the door so you won't leave it in the door.

Power-On Indicator Light

Know at a glance that your freezer is working.

| Features | |
|---|------------------|
| Door Handle Design | Reach-Through |
| Reversible Door | |
| Automatic Door Closer | Yes |
| Leveling Legs | Yes |
| Lock with Pop-Out Key | Yes |
| Defrost | Manual |
| Adjustable Temperature Control | Mechanical Dial |
| Front Digital Display | |
| Temp Display Mode | 1-7 |
| High-Temp Duration Readout | |
| High-Temp Alarm | |
| Door Ajar Alarm | |
| Airflow Ports | |
| Interior Lighting | Incandescent |
| Full-Width Adjustable Shelves | |
| Full-Width Fixed Shelves | 3 Wire |
| Removable Trivet | |
| Mid-Level Baskets | |
| Lower Storage Basket | |
| Basket Dividers | |
| Retractable Pizza Shelf | |
| Full-Width Door Bins | |
| Fixed Door Racks | 5 |
| Defrost Drain | Yes |
| Power-On Light | Yes |
| Certifications | |
| CSA Rating | Household |
| Specifications | |
| Total Capacity (Cu. Ft.) | 17.35 |
| Shelf Area (Sq. Ft.) | 12 |
| Annual Energy (kWH) | 362 |
| Annual Energy Cost (.12/kWH) | \$43 |
| Power Supply Connection Location | Lower Right Rear |
| Voltage Rating | 115V, 60Hz |
| Connected Load (kW rating) @ 115 Volts ¹ | .60 |
| Amps @ 115 Volts | 5 |
| Minimum Circuit Required (Amps) | 15 |
| Shipping Weight (Approx.) | 198 Lbs. |

¹An electrical supply with grounded three-prong receptacle is required. The power supply circuit must be installed in accordance with current edition of National Electrical Code (NFPA 70) and local codes & ordinances.



* When installing freezer adjacent to wall, cabinet or other appliance that extends beyond front edge of unit, 20" minimum clearance recommended to allow for optimum 140° door swing, providing complete basket access and removal. (Absolute 3" minimum clearance will ONLY allow for 90° door swing which will provide limited basket access with restricted removal.)

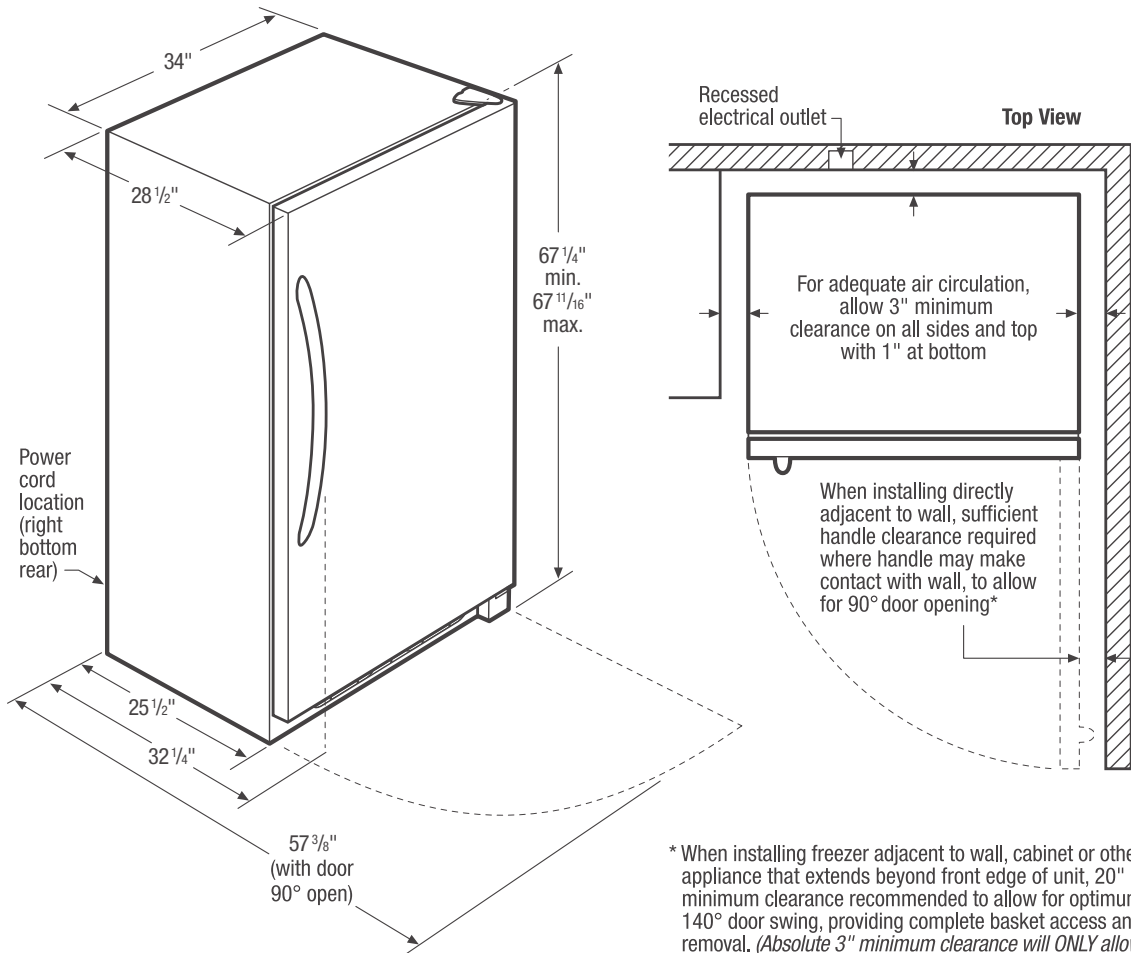
When installing directly adjacent to wall, sufficient handle clearance required where handle may make contact with wall, to allow for 90° door opening*

NOTE: For planning purposes only. Always consult local and national electric codes. Refer to Product Installation Guide for detailed installation instructions on the web at frigidaire.com.



| Product Dimensions | |
|-------------------------------|-----------|
| A - Height (Including Hinges) | 67-11/16" |
| B - Width | 34" |
| C - Depth (Including Door) | 28-1/2" |
| Depth with Door Open 90° | 60-1/4" |

Accessories information available on the web at frigidaire.com



* When installing freezer adjacent to wall, cabinet or other appliance that extends beyond front edge of unit, 20" minimum clearance recommended to allow for optimum 140° door swing, providing complete basket access and removal. (Absolute 3" minimum clearance will ONLY allow for 90° door swing which will provide limited basket access with restricted removal.)

Upright Freezer Specifications

- Product Shipping Weight (approx.) – 198 Lbs.
- An electrical supply with grounded three-prong receptacle is required. The power supply circuit must be installed in accordance with current edition of *National Electrical Code (NFPA 70)* and local codes & ordinances.
- Voltage Rating –115V, 60Hz
- Connected Load (kW Rating) @115 Volts = 0.6 kW
- Amps @115 Volts = 5 Amps
- Always consult local and national electric codes.
- For adequate air circulation, allow 3" minimum clearance on all sides and top with 1" at bottom.

- When installing freezer adjacent to wall, cabinet or other appliance that extends beyond front edge of unit, 20" minimum clearance recommended to allow for optimum 140° door swing, providing complete basket access and removal. (Absolute 3" minimum clearance will ONLY allow for 90° door swing which will provide limited basket access with restricted removal.)
- Locate where surrounding air temperature will not exceed 110° F, to ensure optimum performance. (Temperatures 32° F and below will NOT affect operation.)
- All bottom corners of unit MUST rest firmly on solid level surface of hard material, same height as flooring. Surface must be strong and stable enough to support unit when fully loaded.
- Equipped with adjustable leveling legs to ensure unit is level, which is required in order to function properly.

Note: For planning purposes only. Refer to Product Installation Guide on the web at frigidaire.com for detailed instructions.