

UNDER-COUNTER REFRIGERATOR DRAWERS

EI24RD10QS

Featuring IQ-Touch™ Electronic Controls



PRODUCT DIMENSIONS

Height (Adjustable)	33-3/4" – 34-3/4"
Width	23-7/8"
Depth	23-23/32"

MORE EASY-TO-USE FEATURES

PUREADVANTAGE® AIR FILTER

Keeps clean, filtered air circulated throughout to prevent odor transfer.

PLATINUM STAR® LIMITED WARRANTY

Our exclusive limited warranty that includes a 3-year coverage on parts and one year on labor without charge¹.

A.D.A. COMPLIANT

When properly installed, this model is A.D.A.-qualified based on the United States Access Board's A.D.A./A.B.A. Accessibility Guidelines and the Department of Justice's 2010 A.D.A. Standards for Accessible Design.

Available in:



Stainless
(S)

¹Eligibility based on product registration with Electrolux North America within 60 days of purchase. Products must have been purchased on or after July 1, 2013. Coverage includes material parts for 3 years and labor for 1 year.

SIGNATURE FEATURES



PERFECT SET® TEMPERATURE CONTROL

Set a temperature anywhere between 34 and 45 degrees — the Refrigerator Drawer will hold it to within one degree of variance.



LARGE CAPACITY

Even tall enough for two-liter bottles and large enough for serving trays, in both drawers.



LUXURY-GLIDE® SYSTEM

Opening or closing a drawer is smooth and easy — all it takes is the touch of a finger.



INTEGRATED CONTROLS

Controls are located on the top of the door — so they're easy to set when needed, and hidden from view when the door is closed.

UNDER-COUNTER REFRIGERATOR DRAWERS

EI24RD10QS



24" FRESH FOOD REFRIGERATOR DRAWERS

Capacity	4.74 Cu. Ft.
Configuration	2 Drawers
Installation Type	Built-In

FEATURES

IQ-Touch™ Electronic Controls	Yes
Fully Integrated Control Panel	Yes
Blue LED Display	Yes
Luxury-Glide® Full-Extension Self-Closing Drawers	Yes
Luxury-Design® LED Lighting	Yes
Perfect Set® Controls	Yes
PureAdvantage® Air Filtration	Yes
Electronic Control Lock	Yes
Display Temp Mode (°C or °F)	Yes
Door Ajar Acoustic Alarm	Yes
High-Temperature Acoustic Alarm	Yes
Power Failure Acoustic Alarm	Yes
Mute Sound Control	Yes
Power-On/Off Control	Yes
Vacation Mode	Yes
Sabbath Mode (Star-K® Certified)	Yes
Holds 12" Bottle (Upper and Lower Drawer)	Yes
Storage Shelf (Lower Drawer)	Yes
Frost-Free Performance	Yes
Dynamic Condenser	Yes

ADDITIONAL FEATURES

Signature Soft-Arc Drawer Front and Handle Design	Yes
Adjustable Leveling Legs	4
A.D.A. Compliant*	Yes

ACCESSORIES

Condiment Tray – PN# 241965501	Included
PureAdvantage® Replacement Air Filter – PN# EAFCBF	Included

SPECIFICATIONS

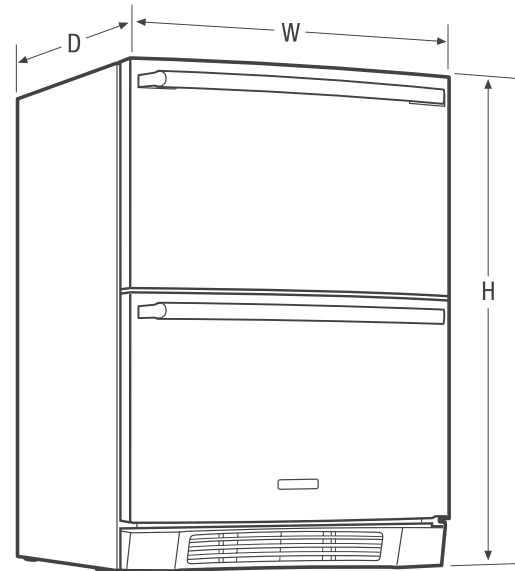
Color –	
Stainless Steel	S
Temperature Range	34°F – 45°F
Electrical Cable	Yes
Power Supply Connection Location	Right Bottom Rear
Voltage Rating	120V / 60 Hz
Connected Load (kW Rating) @120 Volts†	0.16
Minimum Circuit Required (Amps)	15A
Shipping Weight (Approx.)	175 Lbs.

*When properly installed, this model is A.D.A.-qualified based on the United States Access Board's A.D.A./A.B.A. Accessibility Guidelines and the Department of Justice's 2010 A.D.A. Standards for Accessible Design.

†For use on adequately wired 120V, dedicated circuit having 2-wire service with a separate ground wire. Appliance must be grounded for safe operation.

NOTE: Always consult local and national electric codes. Refer to Product Installation Guide for detailed installation instructions on the web at electroluxappliances.com.

Specifications subject to change.



PRODUCT DIMENSIONS

Height	33-3/4" – 34-3/4"
Width	23-7/8"
Depth (to Center of Arc) (Fully Extended Including Handle)	23-23/32" 39-5/32"

Electrolux Major Appliances, N.A.

USA • 10200 David Taylor Drive • Charlotte, NC 28262 • 1-877-4electrolux (1-877-435-3287) • electroluxappliances.com
 CANADA • 5855 Terry Fox Way • Mississauga, ON L5V 3E4 • 1-800-265-8352 • electroluxappliances.ca

EI24RD10Q 07/14

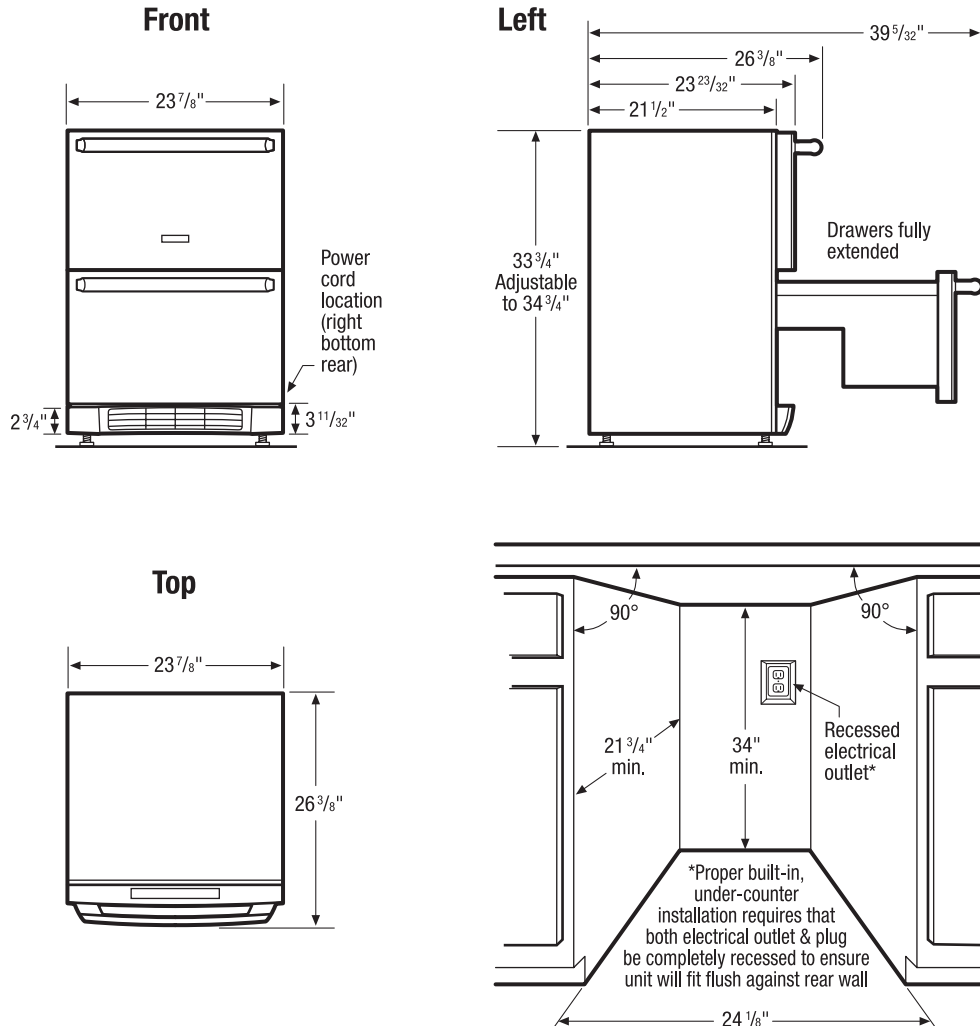
© 2014 Electrolux Home Products, Inc.



High standards of quality at Electrolux Home Products, Inc. mean we are constantly working to improve our products. We reserve the right to change specifications or discontinue models without notice.

UNDER-COUNTER REFRIGERATOR DRAWERS

EI24RD10QS



Under-Counter Refrigerator Drawers Specifications

- Product Weight – 165 Lbs.
- Voltage Rating – 120V/60Hz/15 Amps
- Connected Load (kW Rating) @ 120 Volts = 0.16 kW
(For use on adequately wired 120V, dedicated circuit having 2-wire service with a separate ground wire. Appliance must be grounded for safe operation.)
- Amps @ 120V = 1.5A
- Electrical cable supplied.
- Always consult local and national electric codes.
- Unit is designed for built-in, under-counter installation only with use of Anti-Tip Kit and can NOT be used in freestanding installation.
- Built-in, under-counter installation does not require additional airspace for top, sides or rear of unit.
- Proper built-in, under-counter installation requires that both electrical outlet and plug be completely recessed to ensure unit will fit flush against rear wall.
- To allow for ease of installation and removal, it is recommended that cabinet rough opening dimensions be increased by at least $\frac{1}{4}$ " over product's dimensions.
- For proper ventilation, unit can NOT be installed behind closed doors; front grille MUST remain unobstructed.
- Must be positioned on flat, level surface, capable of supporting entire weight when fully loaded.
- Leveling legs supplied to adjust height and level unit.
- Do not position unit near any heat source to ensure optimum performance.
- Allow 14" minimum for handle clearance with drawers fully extended.

Note: For planning purposes only. Refer to Product Installation Guide on the web at electroluxappliances.com for detailed instructions.

Electrolux Major Appliances, N.A.

USA • 10200 David Taylor Drive • Charlotte, NC 28262 • 1-877-4electrolux (1-877-435-3287) • electroluxappliances.com
 CANADA • 5855 Terry Fox Way • Mississauga, ON L5V 3E4 • 1-800-265-8352 • electroluxappliances.ca

EI24RD10Q 07/14

© 2014 Electrolux Home Products, Inc.



High standards of quality at Electrolux Home Products, Inc. mean we are constantly working to improve our products. We reserve the right to change specifications or discontinue models without notice.

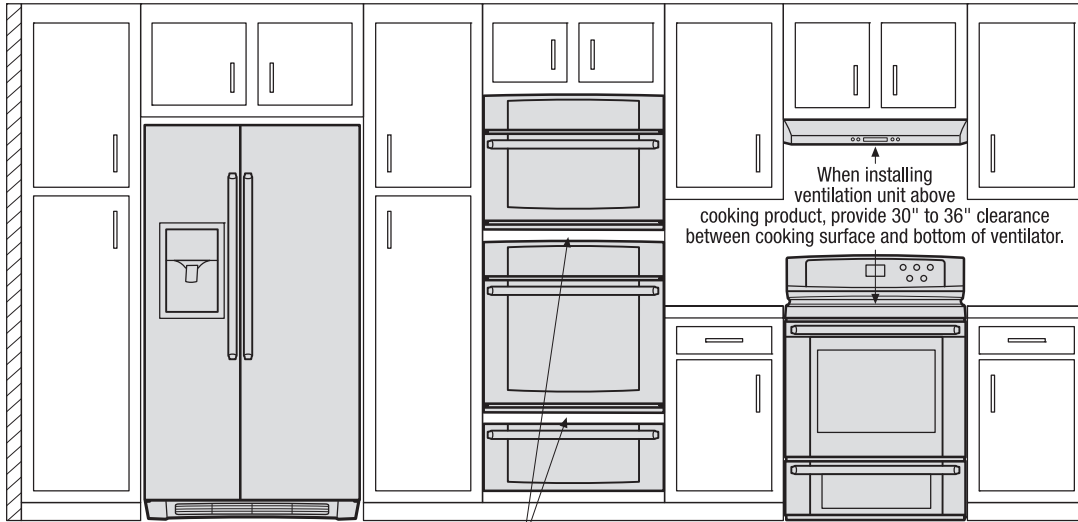
General Installation Guidelines

For Installation with Side-by-Side Refrigerator



Use these dimensions and clearance instructions for planning purposes only. For detailed installation instructions, refer to installation guide, packed with product, or on the web at electroluxappliances.com.

Front

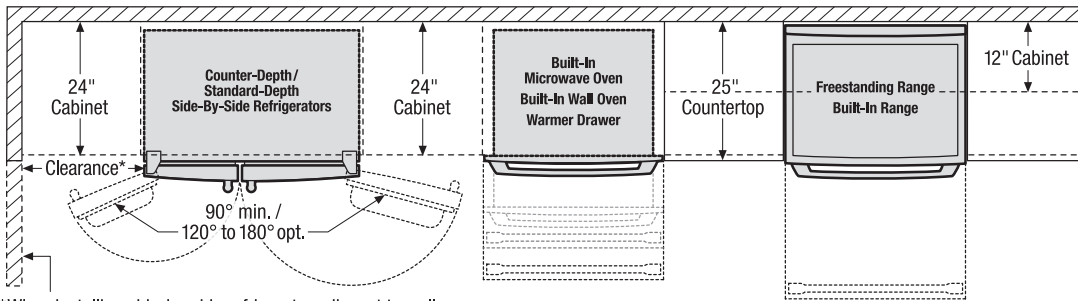


When installing ventilation unit above cooking product, provide 30" to 36" clearance between cooking surface and bottom of ventilator.

When installing built-in cooking appliances in combination, 2"-high minimum visible gap between appliance faceplates required.

Clearance information for cooking appliances, provided in specific product's installation guide.

Top

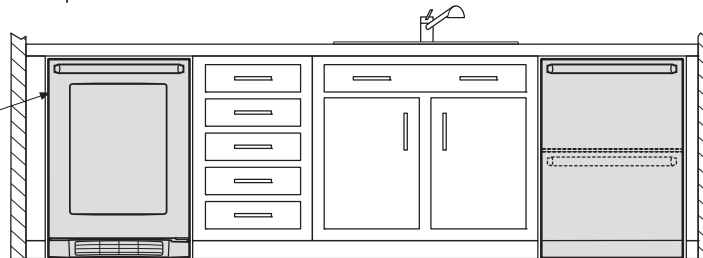


*When installing side-by-side refrigerator adjacent to wall, cabinet or another appliance that extends beyond front edge of unit, 20" minimum clearance recommended to allow for optimum 120° to 180° door swing, providing complete drawer/crisper access and removal. (Absolute 4-1/2" minimum clearance will ONLY allow for 90° door swing which will provide limited drawer/crisper access with restricted removal.)

When installing appliance with sliding drawer or drop-down door directly across from obstructions, provide sufficient clearance for drawer extension or door swing.

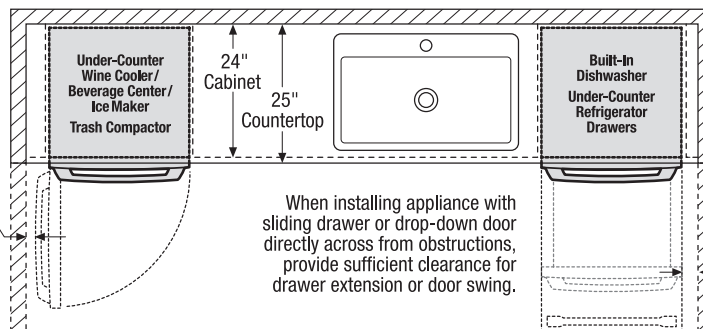
Front

To ensure optimum performance, avoid installing refrigeration appliances in direct sunlight or near heat source.



Top

When installing appliance with side-swing door adjacent to wall, cabinet, or other obstruction that extends beyond front edge of appliance, door swing and handle clearance must be sufficient to allow access to appliance interior.



When installing appliance with sliding drawer or drop-down door directly across from obstructions, provide sufficient clearance for drawer extension or door swing.

When installing appliance with sliding drawer or drop-down door adjacent to wall, cabinet, or other obstruction that extends beyond front edge of appliance, allow 2" minimum clearance between drawer or door and obstruction.

Electrolux Major Appliances, N.A.

USA • 10200 David Taylor Drive • Charlotte, NC 28262 • 1-877-4electrolux (1-877-435-3287) • electroluxappliances.com
 CANADA • 5855 Terry Fox Way • Mississauga, ON L5V 3E4 • 1-800-265-8352 • electroluxappliances.ca

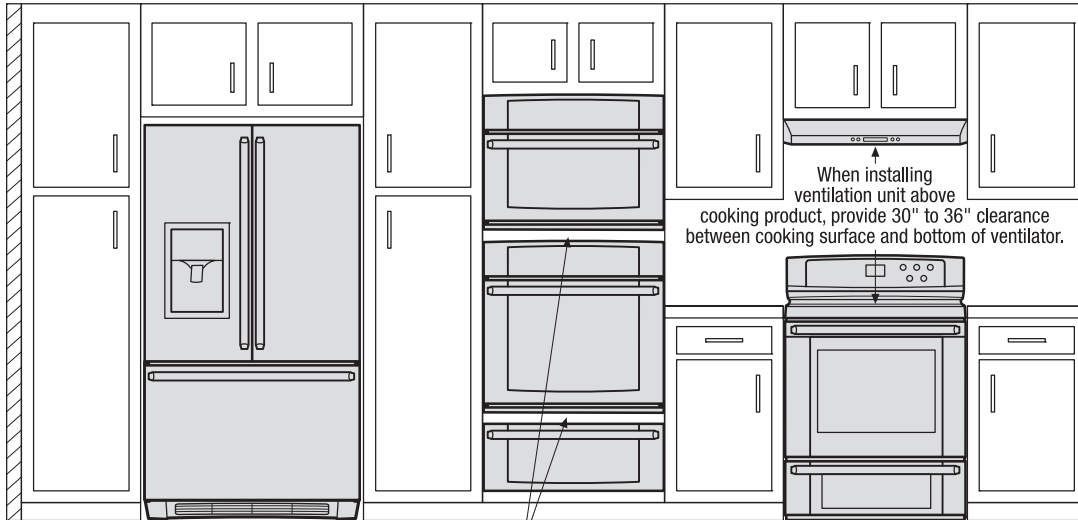
General Installation Guidelines

For Installation with French Door Refrigerator



Use these dimensions and clearance instructions for planning purposes only. For detailed installation instructions, refer to installation guide, packed with product, or on the web at electroluxappliances.com.

Front

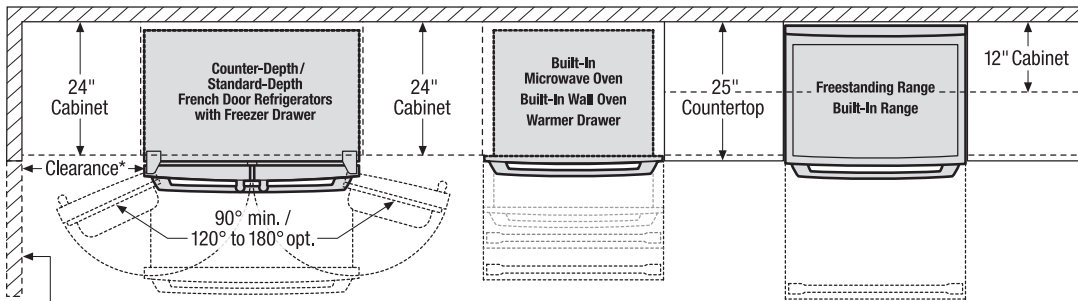


When installing ventilation unit above cooking product, provide 30" to 36" clearance between cooking surface and bottom of ventilator.

When installing built-in cooking appliances in combination, 2"-high minimum visible gap between appliance faceplates required.

Clearance information for cooking appliances, provided in specific product's installation guide.

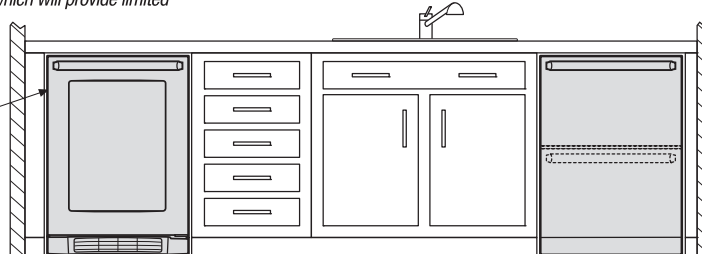
Top



*When installing a French door refrigerator adjacent to wall, cabinet or another appliance that extends beyond front edge of unit, 20" minimum clearance recommended to allow for optimum 120° to 180° door swing, providing complete drawer/crisper access and removal. (Absolute 4-1/2" minimum clearance will ONLY allow for 90° door swing which will provide limited drawer/crisper access with restricted removal.)

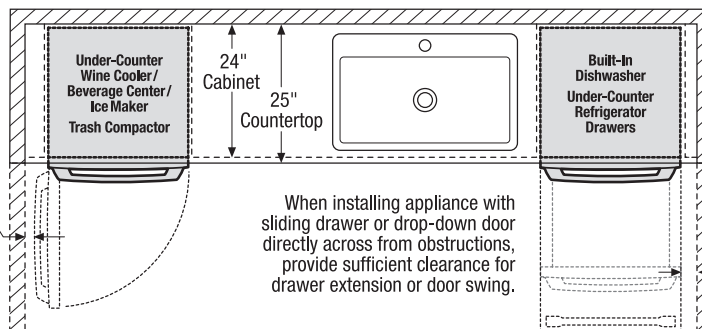
When installing appliance with sliding drawer or drop-down door directly across from obstructions, provide sufficient clearance for drawer extension or door swing.

Front



To ensure optimum performance, avoid installing refrigeration appliances in direct sunlight or near heat source.

Top



When installing appliance with side-swing door adjacent to wall, cabinet, or other obstruction that extends beyond front edge of appliance, door swing and handle clearance must be sufficient to allow access to appliance interior.

When installing appliance with sliding drawer or drop-down door directly across from obstructions, provide sufficient clearance for drawer extension or door swing.

When installing appliance with sliding drawer or drop-down door adjacent to wall, cabinet, or other obstruction that extends beyond front edge of appliance, allow 2" minimum clearance between drawer or door and obstruction.

Electrolux Major Appliances, N.A.

USA • 10200 David Taylor Drive • Charlotte, NC 28262 • 1-877-4electrolux (1-877-435-3287) • electroluxappliances.com
 CANADA • 5855 Terry Fox Way • Mississauga, ON L5V 3E4 • 1-800-265-8352 • electroluxappliances.ca

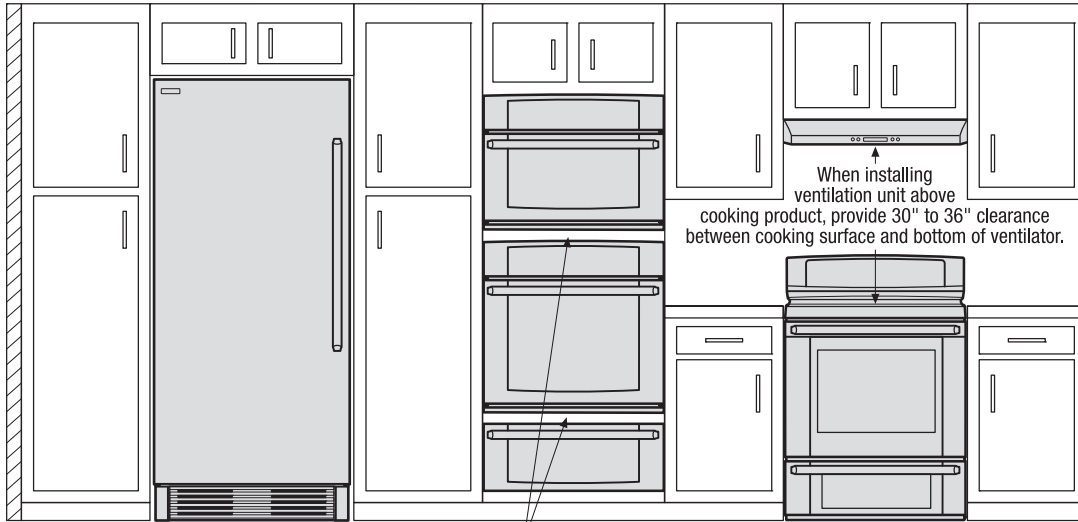
General Installation Guidelines

For Installation with All Refrigerator or All Freezer

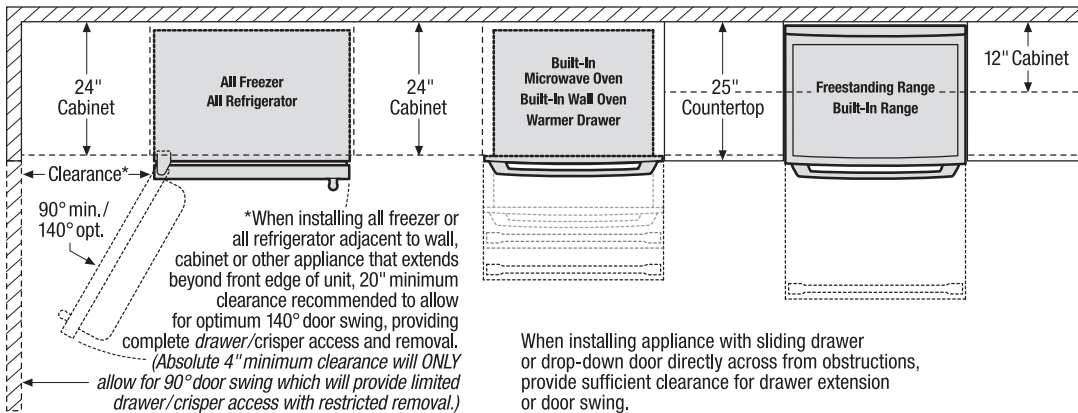


Use these dimensions and clearance instructions for planning purposes only. For detailed installation instructions, refer to installation guide, packed with product, or on the web at electroluxappliances.com.

Front

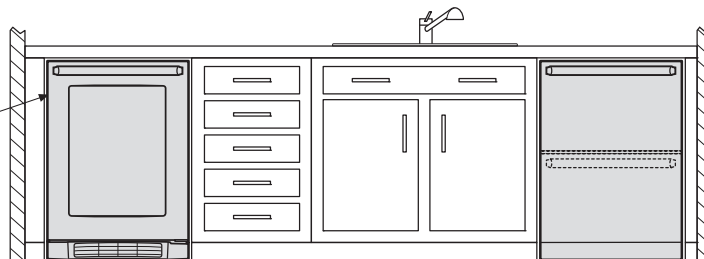


Top



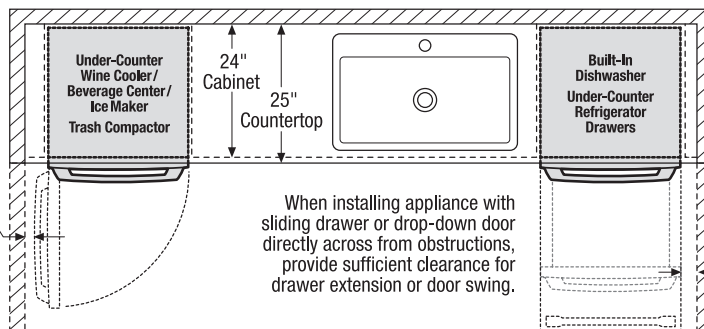
Front

To ensure optimum performance, avoid installing refrigeration appliances in direct sunlight or near heat source.



Top

When installing appliance with side-swing door adjacent to wall, cabinet, or other obstruction that extends beyond front edge of appliance, door swing and handle clearance must be sufficient to allow access to appliance interior.



Electrolux Major Appliances, N.A.

USA • 10200 David Taylor Drive • Charlotte, NC 28262 • 1-877-4electrolux (1-877-435-3287) • electroluxappliances.com
CANADA • 5855 Terry Fox Way • Mississauga, ON L5V 3E4 • 1-800-265-8352 • electroluxappliances.ca