

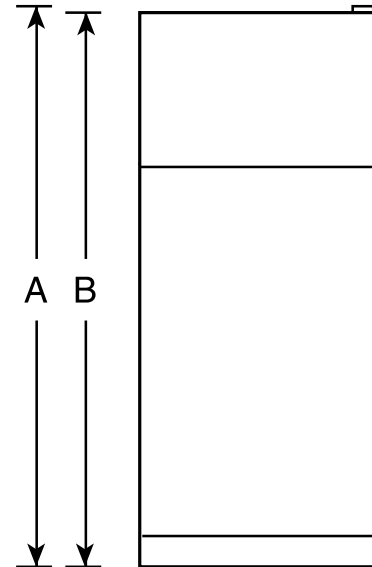
# GTE21GTH

## GE® ENERGY STAR® 21.2 Cu. Ft. Top-Freezer Refrigerator

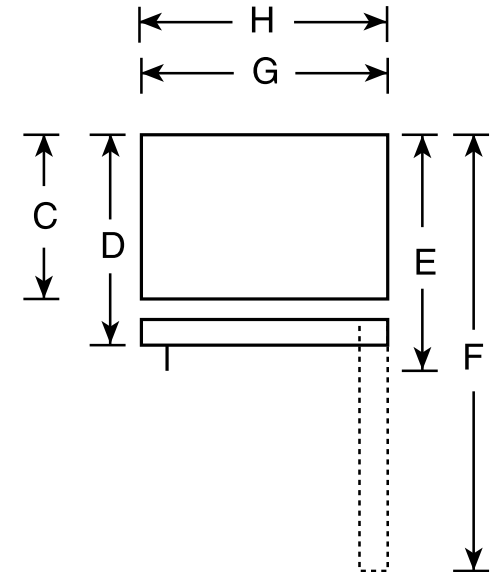
### Dimensions and Installation Information (in inches)

|                           |  |               |
|---------------------------|--|---------------|
| <b>Overall Dimensions</b> | Height to top of hinge (in.) <b>A</b>                    | <b>66-3/4</b> |
|                           | Height to top of case (in.) <b>B</b>                     | <b>66-1/4</b> |
|                           | Case depth without door (in.) <b>C</b>                   | <b>27</b>     |
|                           | Case depth less door handle (in.) <b>D</b>               | <b>32-1/4</b> |
|                           | Case depth with door handle (in.) <b>E</b>               | <b>34</b>     |
|                           | Depth with fresh food door open 90° (in.) <b>F</b>       | <b>62-3/4</b> |
|                           | Width (in.) <b>G</b>                                     | <b>32-7/8</b> |
|                           | Width with door open 90° with door handle (in.) <b>H</b> | <b>35-1/2</b> |
| <b>Air Clearances</b>     | Each side (in.)  | <b>1/8</b>    |
|                           | Top (in.)  | <b>1/8</b>    |
|                           | Back (in.)   | <b>1</b>      |

Front View



Top View



For answers to your Monogram,® Cafe™ Series, Profile™ Series or GE® appliance questions, visit our website at [geappliances.com](http://geappliances.com) or call GE Answer Center® service, 800.626.2000.



imagination at work



Listed by  
Underwriters  
Laboratories



As an ENERGY STAR® partner, GE has determined that this product meets the ENERGY STAR guidelines for energy efficiency.

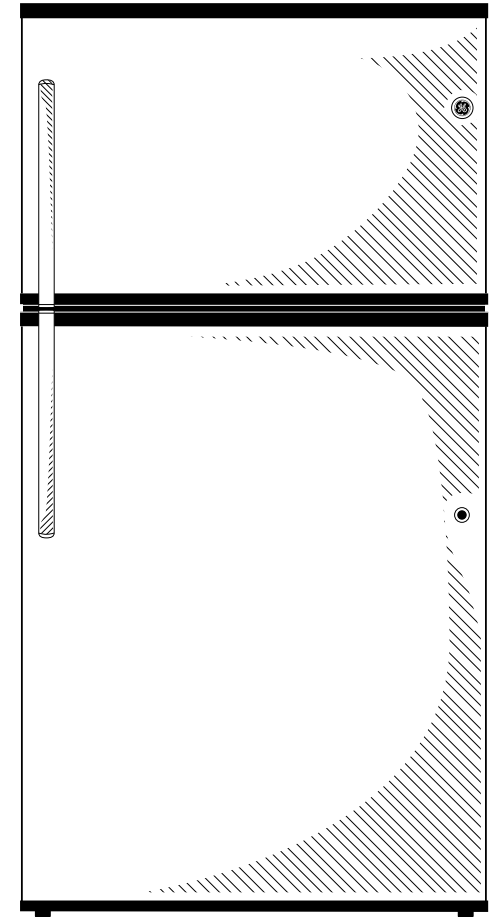
Specification Revised 8/14

# GTE21GTH

## GE® ENERGY STAR® 21.2 Cu. Ft. Top-Freezer Refrigerator

### Features and Benefits

- 2014 ENERGY STAR® qualified
- 32-3/4" wide
- Upfront temperature controls - Easy-to-use controls regulate both fresh food and freezer sections
- Adjustable spill-resistant glass shelves - Designed to contain spills for easy cleaning
- Equipped for optional icemaker - Easily accommodates the installation of an icemaker
- Snack drawer - Conveniently stores favorite foods and allows for quick, easy access
- Adjustable-humidity drawers - Controls helps food stay fresh
- Gallon door bins - Deep bins handle large containers in the door for more fresh food space
- Wire freezer shelf - Provides additional storage for frozen foods
- Spillproof freezer floor - Seamless design of the freezer floor wipes up easily for quick cleanup
- Model GTE21GTHWW - White
- Model GTE21GTHBB - Black
- Model GTE21GTHCC - Bisque



imagination at work



As an ENERGY STAR® partner, GE has determined that this product meets the ENERGY STAR guidelines for energy efficiency.

Specification Revised 8/14