



## Freezer

FFFC05M1QW

Manual Defrost  
5 Cu. Ft. Chest



### Product Dimensions

Height (Including Lid)	32-1/2"
Width	28-1/2"
Depth	22"

### More Easy-To-Use Features

#### Manual Defrost

#### Defrost Water Drain

Use the drain to conveniently remove water during defrosting.

#### Available in:



White  
(W)

## Signature Features

### Store-More™ Removable Basket

Stay organized with our removable basket that can hold small frozen items, or be removed if you have large items that need to be stored.

### Power-On Indicator Light

Know at a glance that your freezer is working.

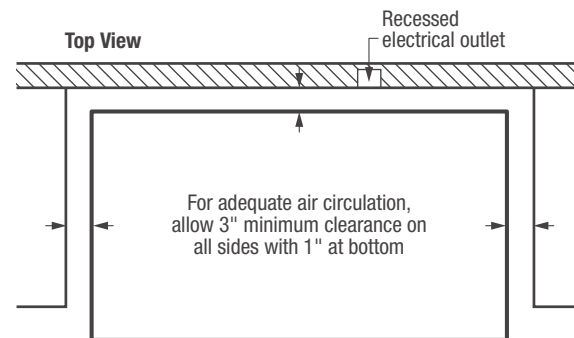
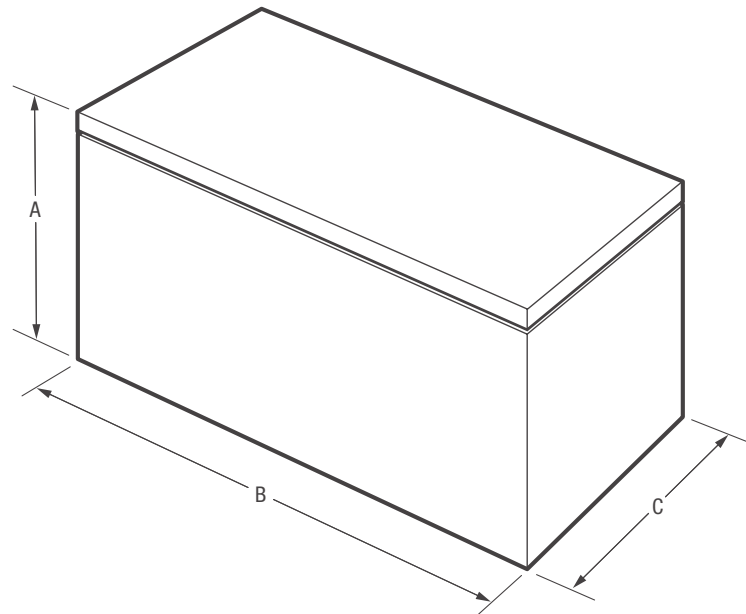
### Adjustable Temperature Control

Select the correct temperature for your needs.

### Colour-Coordinated Handle

Features	
Defrost	Manual
Adjustable Temperature Control	Yes
Interior Lighting	
Store-More™ Removable Baskets	1
Food Organization System	
Defrost Water Drain	Yes
Lid Handle	Yes
Lock with Pop-Out Key	
Power-On Light	Yes
Certifications	
CSA Rating	Household
Specifications	
Total Capacity (Cu. Ft.)	5.1
Annual Energy (kWh)	220
Annual Energy Cost (.1065/kWh)	\$26
Power Supply Connection Location	Right Bottom Rear
Voltage Rating	120V / 60Hz / 5A
Connected Load (kW rating) @ 120 Volts <sup>1</sup>	.6
Amps @ 120 Volts	5
Minimum Circuit Required (Amps)	15
Shipping Weight (Approx.)	85 Lbs.

<sup>1</sup>An electrical supply with grounded three-prong receptacle is required. The power supply circuit must be installed in accordance with local codes & ordinances.



*NOTE: For planning purposes only. Always consult local and national electric codes. Refer to Product Installation Guide for detailed installation instructions on the web at [frigidaire.ca](http://frigidaire.ca).*



Product Dimensions	
A - Height (Including Lid)	32-1/2"
B - Width	28-1/2"
C - Depth	22"
Height with Lid Open 90°	55-5/16"

Accessories information available on the web at [frigidaire.ca](http://frigidaire.ca)