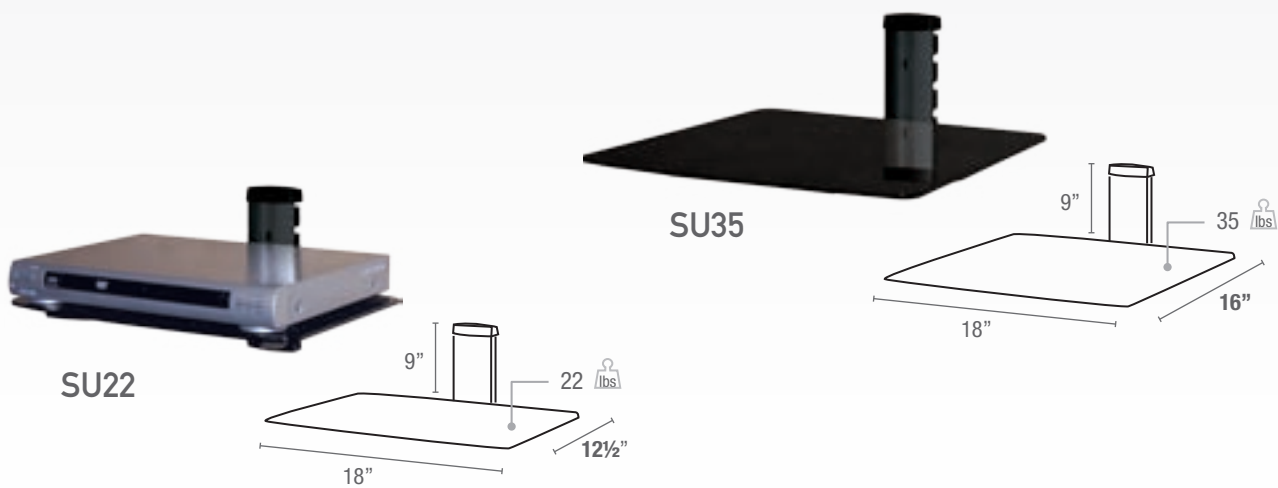
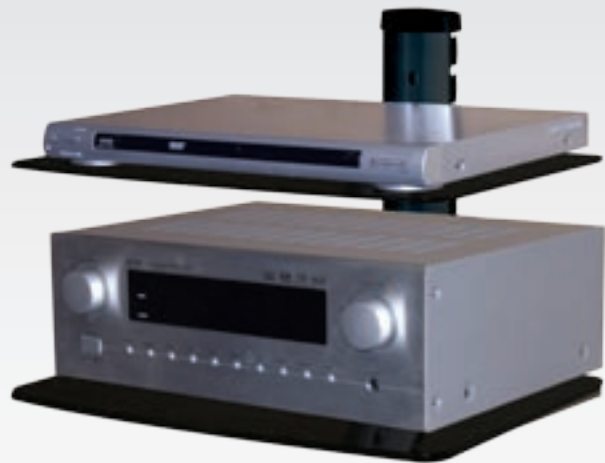


# metal glass - modular wall rack

## SU22 & SU35 - WALL RACKS

As wall mounting electronic equipment becomes more popular, Sonora makes it easier than ever to set things up perfectly. The stylish SU22 and SU35 wall racks are designed to securely hold all types of components flush to the wall. The SU22 has a shelf depth of 12.5 inches and a load capacity of 22 pounds while the SU35, designed for bigger and heavier equipment, offers a shelf depth of 16 inches and a load capacity of 35 pounds. All racks may be clipped together for easy stacking. After choosing the appropriate model for your needs, simply screw the metal support beam in place, attach the metal "U" shaped shelf supports, position the dark glass shelves and your ready to display your equipment. For a clean finished installation the SU series features a convenient wire management system to hide any unsightly wires.

Shown with SU22 on top  
and SU35 below



EASY TO INSTALL

BUILT IN CABLE MANAGEMENT

STRONG METAL STRUCTURE

SU22 / SU35