

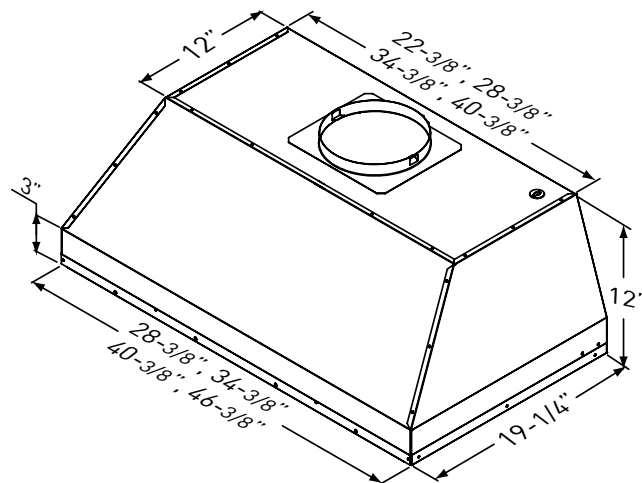
Monsoon I has taken the one-piece liner to the next level. Including dual-level halogen lights and an ADA-compliant RF remote you can easily control Monsoon I without ever reaching over a dangerous cooking surface. Equipped

with 6-speed electronic controls, pro baffle filters and either a powerful 600 CFM blower (30" and 36" models) or 1,200 CFM blower (42" and 48" models). ACT™ available on 30" and 36" models.

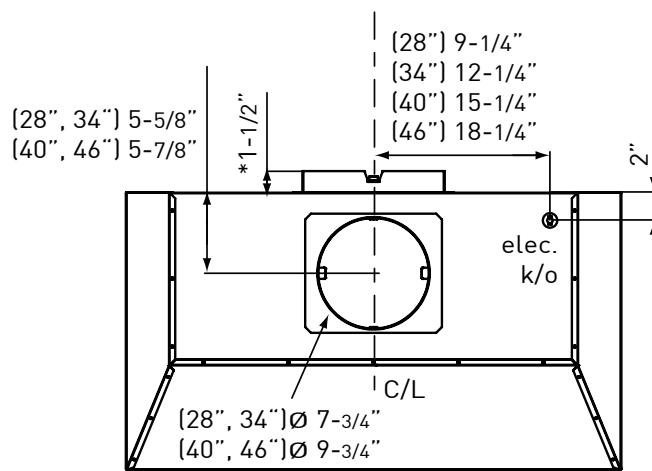
ACT™

	INTERNAL BLOWER STANDARD	INTERNAL BLOWER with ACT™ AIRFLOW CONTROL TECHNOLOGY™*	
30"/36" Min. - Max. CFM	200 - 600	200 - 390	200 - 290
30"/36" Min. - Max. Sones	1 - 6	1 - 4	1 - 3
42"/48" Min. - Max. CFM	450 - 1,200	NA	NA
42"/48" Min. - Max. Sones	3.5 - 9	NA	NA

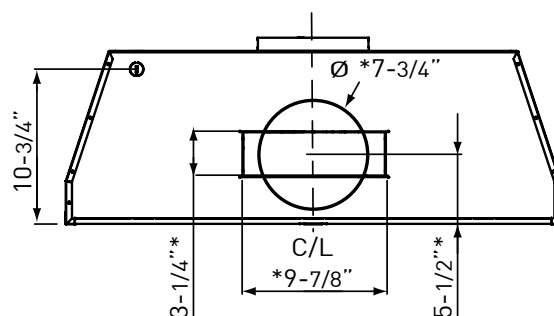
*AIRFLOW CONTROL TECHNOLOGY™ (ACT™) is an exclusive feature built into specific Zephyr hoods which can limit the maximum blower CFM to meet local code requirements.



FRONT



TOP



BACK



ADA
COMPLIANT

*Horizontal ducting only available in 30" and 36" models

MODEL	AK9228AS	AK9234AS	AK9240AS	AK9246AS
Stainless Steel				
Size	30" (28-3/8" x 19-1/4")	36" (34-3/8" x 19-1/4")	42" (40-3/8" x 19-1/4")	48" (46-3/8" x 19-1/4")
Blower CFM (Min. - Max.)	200 - 600	200 - 600	450 - 1,200	450 - 1,200
Sones (Min. - Max.)	1 - 6	1 - 6	3.5 - 9	3.5 - 9
ACT 390 CFM (Min. - Max.)	200 - 390	200 - 390	NA	NA
ACT 390 Sones (Min. - Max.)	1 - 4	1 - 4	NA	NA
ACT 290 CFM (Min. - Max.)	200 - 290	200 - 290	NA	NA
ACT 290 Sones (Min. - Max.)	1 - 3	1 - 3	NA	NA
FEATURES				
ACT™ Technology	Yes	Yes	No	No
Controls	Electronic Touch	Electronic Touch	Electronic Touch	Electronic Touch
Speed Levels	6*	6*	6	6
Auto Delay-Off	Yes	Yes	Yes	Yes
Clean Air Mode	Yes	Yes	Yes	Yes
Lighting	Halogen, 35W x2	Halogen, 35W x2	Halogen, 35W x2	Halogen, 35W x4
Dual-Level Lighting	Yes	Yes	Yes	Yes
Filters	Pro Baffle x2	Pro Baffle x3	Pro Baffle x3	Pro Baffle x4
Removable Grease Tray	Yes	Yes	Yes	Yes
RF Remote Control	Yes	Yes	Yes	Yes
Recirculating Option	No	No	No	No
DUCT SPECIFICATIONS				
Vertical Internal Blower	8" Round	8" Round	10" Round	10" Round
Horizontal Internal Blower	3-1/4" x 10" or 8" Round	3-1/4" x 10" or 8" Round	NA	NA
AC POWER	120V, 60Hz at Max. 5A	120V, 60Hz at Max. 5A	120V, 60Hz at Max. 7A	120V, 60Hz at Max. 7A
OPTIONAL ACCESSORIES				
Make-Up Air Kit	MUA006A	MUA006A	MUA010A	MUA010A
MOUNTING HEIGHT RANGE**	26" - 36"	26" - 36"	26" - 36"	26" - 36"
WARRANTY	3 years parts, 1 year labor	3 years parts, 1 year labor	3 years parts, 1 year labor	3 years parts, 1 year labor

*When ACT™ is enabled the maximum speed levels will change. ACT 390 CFM = 3 speeds and ACT 290 CFM = 2 speeds.

**Mounting height refers to distance between top of a 36" tall cooking surface and bottom of hood.

ACT™ AIRFLOW CONTROL TECHNOLOGY™ (ACT™) is an exclusive feature built into specific Zephyr hoods which can limit the maximum blower CFM to meet local code requirements.

Specifications subject to change, check zephyronline.com for up-to-date information.
Zephyr Ventilation | 2277 Harbor Bay Parkway, Alameda, CA 94502 | 888.880.VENT

JAN16.0101



BACK DRAFT DAMPER

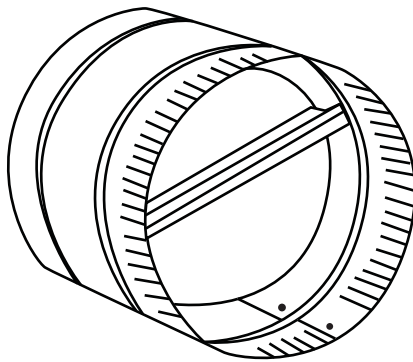
ROUND DAMPER TO PREVENT RETURN-AIR FROM ENTERING KITCHEN

MODEL	DUCT		DIMENSIONS			
	SIZE	A	B	C	D	E
AK00029	6"	6"	6"	2-7/8"	2-7/8"	1/4"
AK00049	7"	7"	7"	3-1/4"	3-1/4"	1/2"
AK00069	8"	8"	8"	3-5/8"	3-5/8"	3/4"

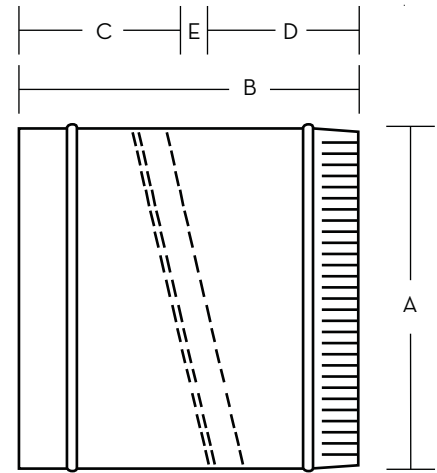


FEATURES

- Vertical Duct Application
- Galvanized (G-90)
- Foam Seal for Damper Closure
- NOT FOR USE WITH DRYER VENT APPLICATIONS



3/4 View

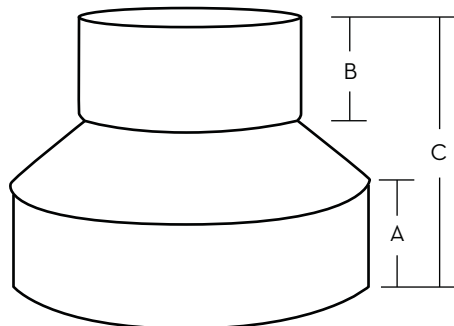


Side View

TAPERED REDUCER

REDUCES ROUND DUCT SIZE

MODEL	DUCT		DIMENSIONS	
	SIZE	A	B	C
AK00039	7x6"	1-3/4"	1-3/4"	5"
AK00037	8x6"	1-3/4"	1-3/4"	4-3/4"
AK00035	8x7"	1-3/4"	1-3/4"	4-1/4"
AK00040	10x8"	1-3/4"	1-3/4"	5"



Side View



FEATURES

- Tapered for Best Air Flow
- Galvanized (G-90)

ROOF CAP EXHAUST, J-VENT

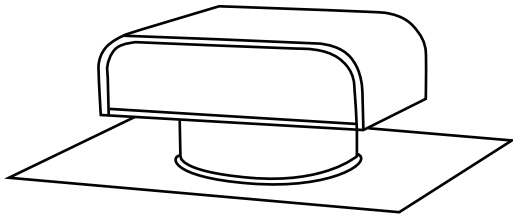
EXHAUST CAP FOR ROUND DUCTING, INSTALLS ON ROOF

MODEL	DUCT SIZE			DIMENSIONS						
	A	B	C	D	E	F	G	H	I	
AK00046	6"	12"	6"	3"	15"	10"	5-1/8"	3-1/4"	1-7/8"	3-1/4"
AK00047	7"	12"	7"	2-1/2"	15"	11"	5-1/8"	3-1/4"	1-7/8"	3-1/4"
AK00048	8"	15"	8"	3-1/2"	15"	12"	5-1/2"	3-1/2"	2"	3-1/4"
AK00050	10"	15"	10"	2-1/2"	20"	16"	6-1/2"	4-1/4"	2-1/4"	3-1/2"

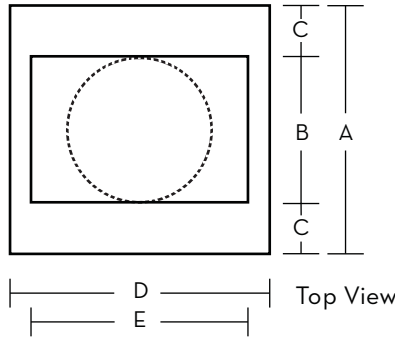


FEATURES

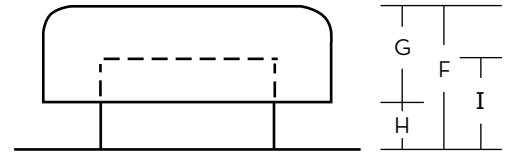
- Low Profile
- Install of Any Roof Pitch
- Mesh Bird Screen
- Galvanized (G-90)



3/4 View



Top View



Side View

WALL CAP EXHAUST, 3-1/4"x10" RECTANGULAR

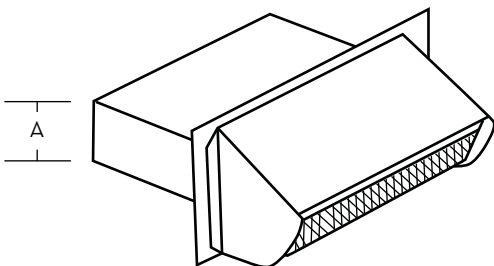
EXHAUST CAP FOR RECTANGULAR DUCTING, PREVENTS RETURN-AIR, INSTALLS ON EXTERIOR WALL

MODEL	DIMENSIONS						
	A	B	C	D	E	F	G
AK00041	3-1/4"	10"	5-5/8"	11"	5"	12-3/4"	9-1/2"

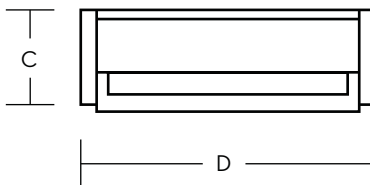


FEATURES

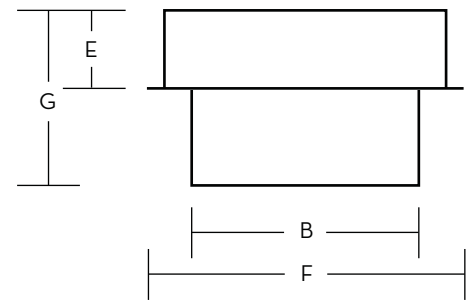
- Aluminum Damper Included
- Mesh Bird Screen
- Rain Proof
- Galvanized (G-90)
- NOT FOR USE WITH INLET VENT APPLICATIONS



3/4 View



Front View



Top View

WALL CAP EXHAUST, ROUND

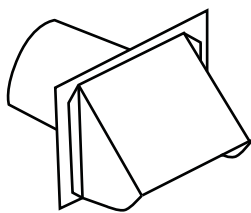
EXHAUST CAP FOR ROUND DUCTING, PREVENTS RETURN-AIR, INSTALLS ON EXTERIOR WALL

MODEL	DUCT			DIMENSIONS					
	SIZE	A	B	C	D	E	F	G	H
AK00042	6"	6"	7-5/8"	8"	1"	8-1/2"	9"	8-5/8"	7-1/8"
AK00043	7"	7"	8-5/8"	9-5/8"	1"	8-1/2"	10-3/4"	9-5/8"	8-1/8"
AK00044	8"	8"	10"	11-5/8"	1-3/4"	8-1/2"	10-3/8"	11-1/8"	10-3/8"
AK00045	10"	10"	12"	13"	1-3/4"	8-1/2"	11-1/2"	13-5/8"	13-7/8"

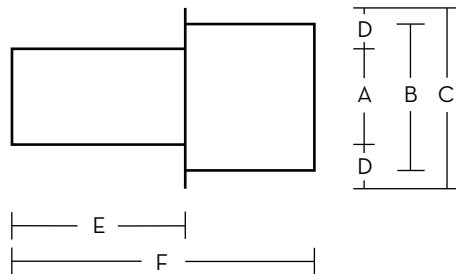


FEATURES

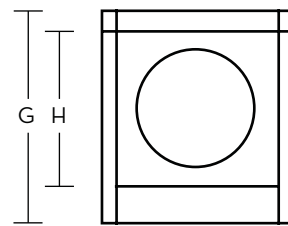
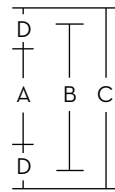
- Aluminum Damper Included
- Rain Proof
- Mesh Bird Screen
- Galvanized (G-90)



3/4 View



Top View



Back View

WALL CAP INLET, ROUND

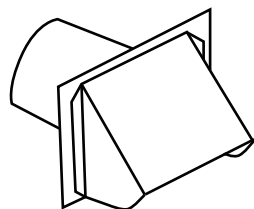
FRESH AIR INLET FOR ROUND DUCTING, COMMONLY USED WITH MAKE-UP AIR KITS

MODEL	DUCT			DIMENSIONS					
	SIZE	A	B	C	D	E	F	G	H
AK00030	6"	6"	7-5/8"	8"	1"	8-1/2"	9"	8-5/8"	7-1/8"
AK00031	7"	7"	8-5/8"	9-5/8"	1"	8-1/2"	10-3/4"	9-5/8"	8-1/8"
AK00032	8"	8"	10"	11-5/8"	1-3/4"	8-1/2"	10-3/8"	11-1/8"	10-3/8"

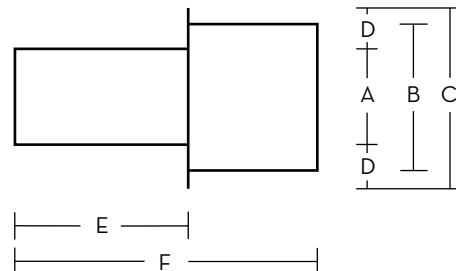


FEATURES

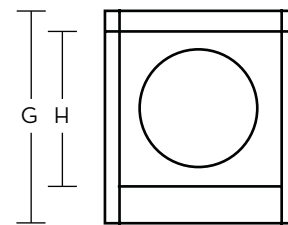
- Mesh Bird Screen
- Galvanized (G-90)
- Rain Proof



3/4 View



Top View



Back View

UNIVERSAL MAKE-UP AIR DAMPER

When range hoods exhaust air out of your home, negative air pressure is created unless the exhausted air is replaced by fresh outdoor air. Zephyr's Universal Make-Up Air Damper is designed to balance the air pressure in your home by automatically opening to allow fresh air in while the range hood is operating.

For use with any Zephyr hood operating over 300 CFM.

MODEL	DAMPER SIZE	CFM LEVEL <i>of range hood motor</i>
MUA006A	6" round	up to 600 CFM
MUA008A	8" round	up to 1,000 CFM
MUA010A	10" round	up to 1,200 CFM

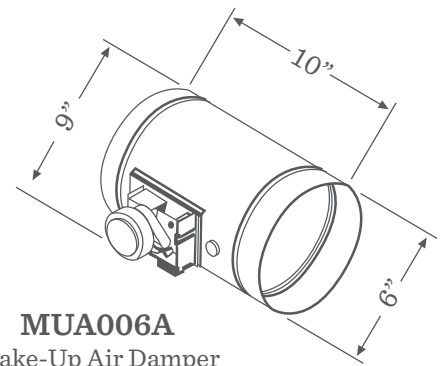
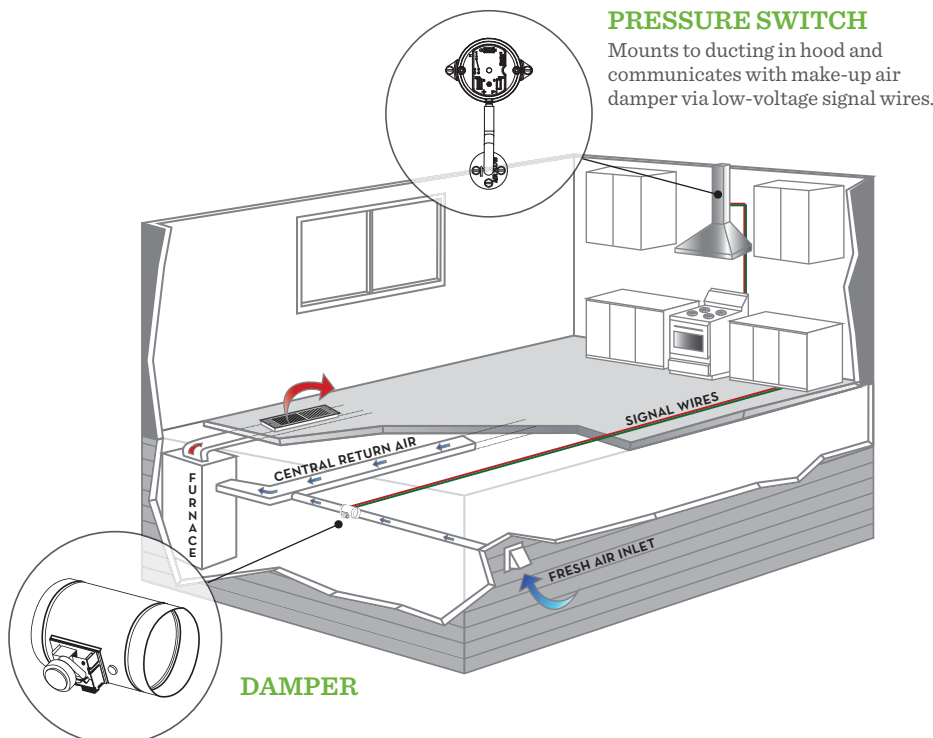
FEATURES

- 24 VAC, 60 Hz AC motor
- Meets International Residential Code M1503.4
- Automatically opens when range hood is operating
- Automatically closes when range hood is off
- 24-gauge galvanized steel construction
- Adjustment screw to adjust damper opening

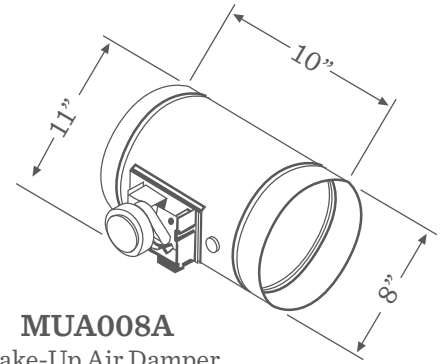
OPTIONAL ACCESSORIES

- AK00030 Fresh air inlet cap with screen, 6" round
- AK00032 Fresh air inlet cap with screen, 8" round
- AK00052 Fresh air inlet cap with screen, 10" round

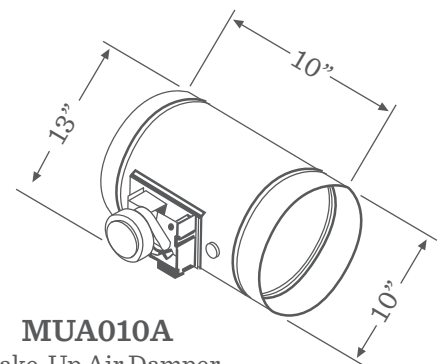
Typical Installation



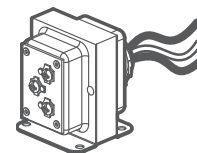
MUA006A
Make-Up Air Damper



MUA008A
Make-Up Air Damper



MUA010A
Make-Up Air Damper



Transformer
Installs next to damper.
Included with MUA006A, MUA008A & MUA010A

Pressure Switch Components

Included with MUA006A, MUA008A & MUA010A

