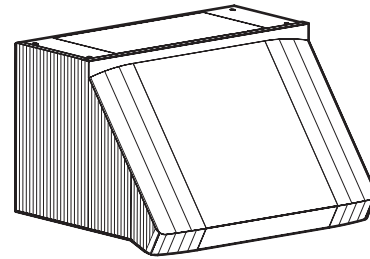


WP29M SERIES RANGE HOOD



For domestic cooking only.

Offers modern styling, high performance, and durable construction to meet the needs of professional-quality residential cooktops.

A complete installation requires several optional components. Refer to page 2 when planning your installation.

FEATURES

HOOD:

- Widths available - 30" to 60" in 6" increments
- Depths available - 24" (all widths), 27" (36" to 60" widths only)
- Stainless Steel, 20 gauge, type 304
- Stainless Steel baffle filters with removable mesh element - easily accessible, dishwasher safe
- Variable cooktop lighting (Uses 50W, GU10 halogen lamps. 30", 36" & 42" wide hoods = 4 lamps, 48", 54" & 60" wide hoods = 6 lamps. Bulbs included.)
- Solid-State, infinite speed blower control with speed memory
- Exclusive, Heat Sentry™ turns blower ON to HIGH speed when excess heat is detected
- For indoor use only

NON-DUCTED RECIRCULATING KIT:

ANKWP Series (Optional)

- Stainless steel, type 304
- Available for hood widths up to 48"

SOFFIT CHIMNEY:

AEWP Series (Optional)

- Widths - 30" to 60" in 6" increments
- Height - 6" or 12" versions
- Stainless Steel, 22 gauge, type 304
- Recommended for use when installation location has no soffit

DECORATIVE TOP COVER:

ADPWP Series (Optional)

- Stainless Steel, 22 gauge, type 304
- Widths - 30" to 60" in 6" increments

BACKSPLASH:

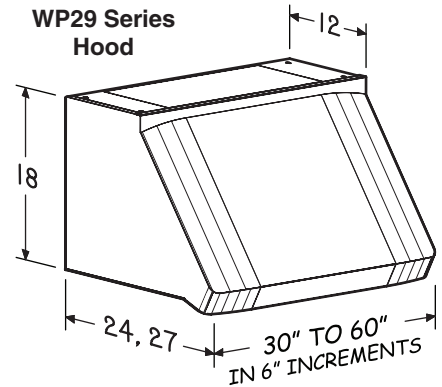
RMP Series (Optional)

- Widths - 30" to 60" in 6" increments
- Stainless steel, 22 gauge, type 430 - protects back wall and wipes clean easily
- Two (2) dual position condiment storage shelves

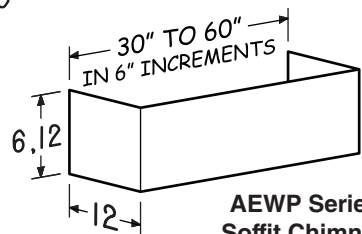
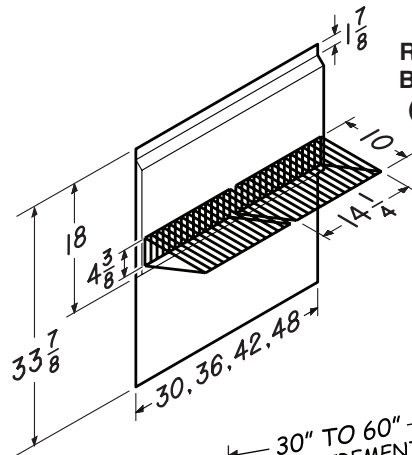
SPECIFICATION:

- 120 VAC, 60 Hz,
- 1.7 Amps (without blower - 30", 36", 42" widths)
- 2.5 Amps (without blower - 48", 54", 60" widths)

WP29 Series Hood



RMP Series Backsplash (Optional)



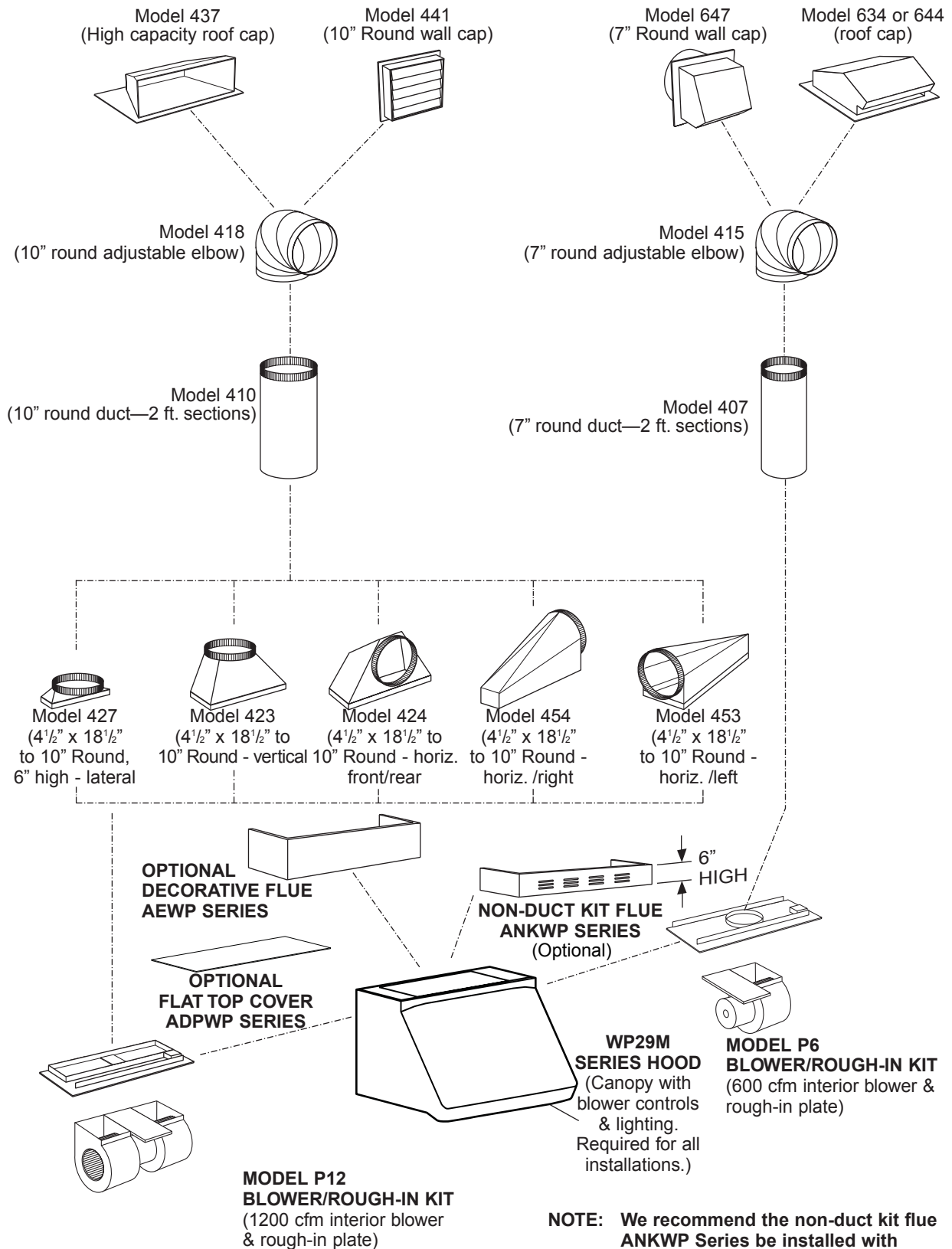
AEWP Series Soffit Chimney (Optional)

BEST Hartford, Wisconsin www.BestRangeHoods.com 800-558-1711
 BEST Drummondville, QC Canada www.BestRangeHoods.com 866-737-7770

REFERENCE	QTY.	REMARKS	Project
			Location
			Architect
			Engineer
			Contractor
			Submitted By Date

- WP29M SERIES RANGE HOOD SYSTEM -

INTERIOR BLOWERS



NOTE: We recommend the non-duct kit flue ANKWP Series be installed with Model P6 Blower/Rough-in kit, but the Model P12 can be used.

- WP29M SERIES RANGE HOOD SYSTEM -

IN-LINE AND EXTERIOR BLOWERS

