

BERTAZZONI PROFESSIONAL SERIES COOKTOPS



Bertazzoni drop-in gas cooktops bring professional performance and surface cooking convenience together in an elegant solution. Available in 5 burners and 6 burners configuration, Bertazzoni Pro gas cooktops have the same one-piece, seamless, high-efficiency worktop design that has become the signature of Bertazzoni freestanding ranges. All burners are in cast brass for enhanced performance, with the dual control brass power burner delivering best-in-class heat-up times and maximum flexibility thanks to its wide BTU range.

6 BURNERS



The 6 burners gas cooktop, with the power burner on the front left quadrant, sits 1" above the countertop.

BRASS POWER BURNER



Bertazzoni's exclusive dual power burner in cast brass delivers high-efficiency performance from delicately low simmer to full power (750 – 18,000 BTUs) with best-in-class heat-up time.

5 BURNERS



The 5 burners cooktop, with the power burner in the center, is low-profile and sits almost flush with the countertop.



THE INTEGRATED KITCHEN

BERTAZZONI PROFESSIONAL SERIES

36" DROP-IN COOKTOP 6-BURNERS

BERTAZZONI PROFESSIONAL SERIES

36" DROP-IN COOKTOP 5-BURNERS

(ULTRA THIN BORDERS: 4MM)

Cooktop 36"
DB36 6 00 X

Cooking zones

Brass Burners	6
Dual wok	750-18000 Btu/h
Rapid	11000 Btu/h
Semi-rapid	6200 Btu/h
Auxiliary	750-3400 W
Electrical Requirements	120V 60Hz
Max. Amp Usage	1 Amp
Certification	CSA
Warranty	2 years

Comes with simmer ring (408077)

Optional: stainless steel griddle (SG36X), wok ring (408084)

Cooktop 36"
QB36 5 00 X

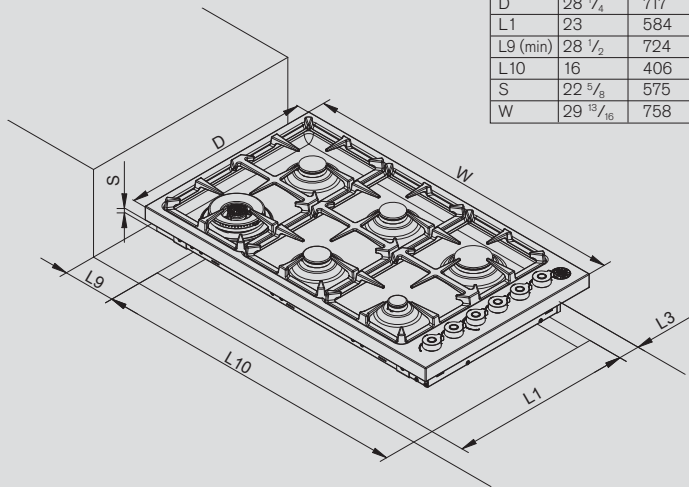
Cooking zones

Brass Burners	5
Dual wok	750-18000 Btu/h
Rapid	11000 Btu/h
Semi-rapid	6200 Btu/h
Auxiliary	750-3400 W
Electrical Requirements	120V 60Hz
Max. Amp Usage	1 Amp
Certification	CSA
Warranty	2 years

Comes with simmer ring (408077)

Optional: stainless steel griddle (SG36X), wok ring (408084)

Rif.	Dim.	
	Inches	mm
L3 (min)	28 ¹¹ / ₁₆	728
D	28 ¹ / ₄	717
L1	23	584
L9 (min)	28 ¹ / ₂	724
L10	16	406
S	22 ⁵ / ₈	575
W	29 ¹³ / ₁₆	758



Rif.	Dim.	
	Inches	mm
L3 (min)	28 ³ / ₁₆	55
D	20 ¹⁵ / ₃₂	540
L1	20 ¹⁵ / ₃₂	520
L9 (min)	6 ³ / ₈	162
L10	35 ⁵ / ₈	905
S	1 ³ / ₈	35
W	36 ¹³ / ₃₂	925

