
BERTAZZONI DESIGN SERIES

48" WALL MOUNT HOOD KG48 CON X



The Bertazzoni Design Series hood offers a sleek and elegant style with stainless steel framed glass and electronic touch through glass controls. It is a perfect match for the Bertazzoni Design Series wall ovens and segmented cooktops. Available with an efficient yet quiet 600 CFM motor and stainless-steel baffle filters, it can be installed for recirculation or ducted extraction.

CONTROLS



Use the touch control interface that lets you adjust the 3 different power levels with just the touch of a finger.



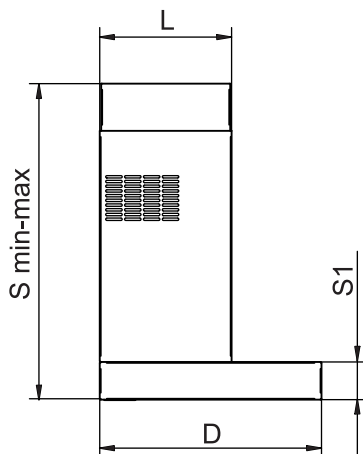
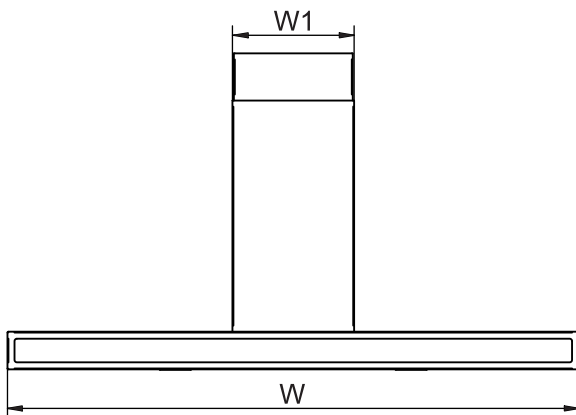
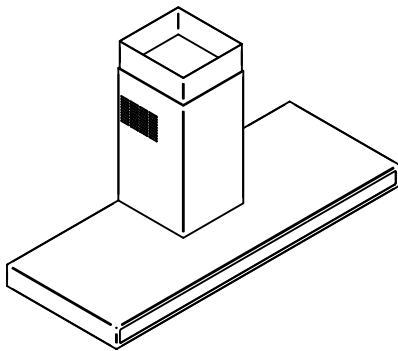
TO COOK BEAUTIFULLY

BERTAZZONI DESIGN SERIES

48" WALL MOUNT HOOD KG48 CON X

FEATURES

Blower	1-3 speed
Halogen lights	2
Filters	baffle stainless steel
Distance from worktop	25 1/2"
Motor power	600 cfm



TECHNICAL SPECIFICATIONS

Electrical Requirements	120V 60Hz
Max. Amp Usage	3.3 Amp
Controls	Full touch
Certification	CSA
Warranty	2 years parts and labor
Product weight	69.5 lbs
Box weight	72.5 lbs

ACCESSORIES

Recirculation kit (optional)	code 901154
-------------------------------------	-------------

DIMENSIONS

Ref.	Description	Dimensions	
		Inches	mm
D	Hood max depth	18 1/2	470
L	Duct cover depth	11	260
S_(min)	Hood height min	19 9/32	490
S_(max)	Hood height max	33 3/32	840
S1	Hood control panel height	3 1/8	80
W	Hood width	47 11/16	1220
W1	Duct cover width	10 3/16	260

INSTALLATION INSTRUCTIONS

Bertazzoni recommends to operate the appliance after it has been properly installed. Please refer to the installation manual for further details.