

JENN-AIR® 30" (76.2 CM) AND 36" (91.4 CM) ELECTRIC INDUCTION COOKTOP

PRODUCT MODEL NUMBERS

JIC4430X JIC4536X

ELECTRICAL REQUIREMENTS:

Before You Make the Electrical Connection:

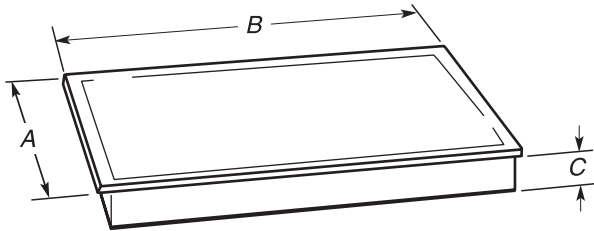
To properly install your cooktop, you must determine the type of electrical connection you will be using and follow the instructions provided for it here.

- A 4-wire or 3-wire, single phase, 240 volt, 60 Hz., AC only electrical supply is required on a separate, 50-amp circuit (36" [91.4 cm] models) or 40-amp circuit (30" [76.2 cm] models), fused on both sides of the line.
- The cooktop should be connected directly to the junction box through flexible, armored or nonmetallic sheathed, copper cable. The flexible, armored cable extending from the fuse box or circuit breaker box should be connected directly to the junction box.
- Locate the junction box to allow as much slack as possible between the junction box and the cooktop so that the cooktop can be moved if servicing becomes necessary in the future.
- Do not cut the conduit. The length of conduit provided is for serviceability of the cooktop.
- A UL listed or CSA approved conduit connector must be provided at each end of the power supply cable (at the cooktop and at the junction box). A listed conduit connector is already provided at the cooktop.
- If the house has aluminum wiring, follow the procedure below:
 1. Connect a section of solid copper wire to the pigtail leads.
 2. Connect the aluminum wiring to the added section of copper wire using special connectors and/or tools designed and UL listed for joining copper to aluminum.

Follow the electrical connector manufacturer's recommended procedure. Aluminum/copper connection must conform with local codes and industry accepted wiring practices.

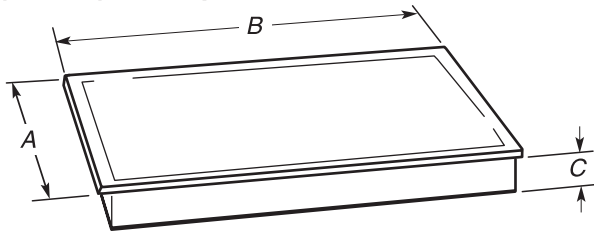
PRODUCT DIMENSIONS

30" (76.2 cm) Cooktop



Model JIC4430	Model KICU509
A. 21 ⁵ / ₁₆ " (54.1 cm)	A. 21 ⁵ / ₁₆ " (54.1 cm)
B. 30 ³ / ₁₆ " (77.0 cm)	B. 30 ³ / ₄ " (78.2 cm)
C. 3 ¹ / ₈ " (8.0 cm)	C. 3 ¹ / ₈ " (8.0 cm)

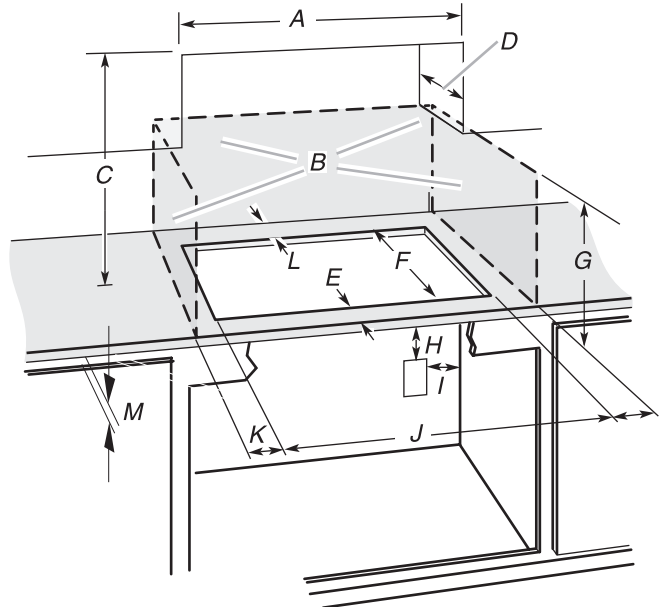
36" (91.4 cm) Cooktop



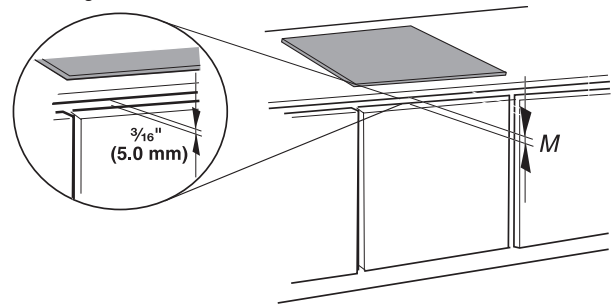
Models JIC4536 and KICU569
A. 21 ⁵ / ₁₆ " (54.1 cm)
B. 36 ⁵ / ₁₆ " (92.0 cm)
C. 3 ¹ / ₈ " (8.0 cm)

CABINET DIMENSIONS

IMPORTANT: If installing a range hood or microwave hood combination above the range, follow the range hood or microwave hood combination installation instructions for dimensional clearances above the cooktop surface.



- A. 29¹/₂" (75.0 cm) on 30" (76.2 cm) models
33¹/₁₆" (84.0 cm) on 36" (91.4 cm) models
- B. Combustible area above countertop (shown by dashed box above)
- C. 30" (76.2 cm) minimum clearance between top of cooktop platform and bottom of uncovered wood or metal cabinet (24" [61 cm] minimum clearance if bottom of wood or metal cabinet is covered by not less than 1/4" [0.6 cm] flame retardant millboard covered by not less than No. 28 MSG sheet steel, 0.015" [0.04 cm] stainless steel, or 0.024" [0.06 cm] aluminum or 0.020" [0.05 cm] copper)
- D. 13" (33.0 cm) recommended upper cabinet depth
- E. 2" (5.1 cm)
- F. 19⁵/₁₆" (49.0 cm)
- G. 18" (45.7 cm) minimum clearance from upper cabinet to countertop within minimum horizontal clearances to cooktop
- H. Junction box or outlet; 12" (30.5 cm) minimum from bottom of countertop
- I. Junction box or outlet; 10" (25.4 cm) from right-hand side of cabinet
- J. 29¹/₂" (75.0 cm) on 30" (76.2 cm) models
33¹/₁₆" (84.0 cm) on 36" (91.4 cm) models
- K. 1" (2.5 cm) minimum distance to nearest left and right side combustible surface above cooktop
- L. 1" (2.5 cm) minimum clearance between back wall and countertop
- M. **IMPORTANT:** For proper ventilation, provide a vent of 3/16" (5 mm) under the countertop, in the front of the cabinet. The ventilation opening is to extend the full length of the cooktop cutout. See the following illustration.



NOTES: After you make the countertop cutout, some installations may require notching down the base cabinet side walls to clear the cooktop base. To avoid this modification, use a base cabinet with sidewalls wider than the cutout.

If cabinet has a drawer, a 5¹/₈" (13 cm) depth clearance from the countertop to the top of the drawer (or other obstruction) in base cabinet is required.