

TENDER WALL RANGE HOOD



A UPGRADED ROUNDED CANOPY HOOD WITH ADVANCED FEATURES. The upgraded Tender by Faber features a rounded canopy and chimney, advanced electronic controls, an optional remote control and two level energy efficient LED lights. Available with 600 or 300 cfm motors, the Tender delivers your choice of performance level in a stylish chimney style range hood.



AVAILABLE MODELS

Model #	Size / Color	Motor Class (CFM)	Sound Levels (sones)
TEND30SS600-B	30" Stainless	600 CFM	2.8 - 7.5
TEND36SS600-B	36" Stainless	600 CFM	2.8 - 7.5
TEND30SS300-B	30" Stainless	300 CFM	2.5 - 5.0
TEND36SS300-B	36" Stainless	300 CFM	2.5 - 5.0

KEY FEATURES



Backlit electronic controls

Backlit electronic controls with a White LED light to indicate the current speed and two level lighting



LED bulbs

Low consumption 1 watt LED bulbs with a dimmer light up your cooking but use very little energy



Remote Control (optional)

Control all features of the hood from the convenience of a wireless remote control (sold separately)

TENDER WALL RANGE HOOD



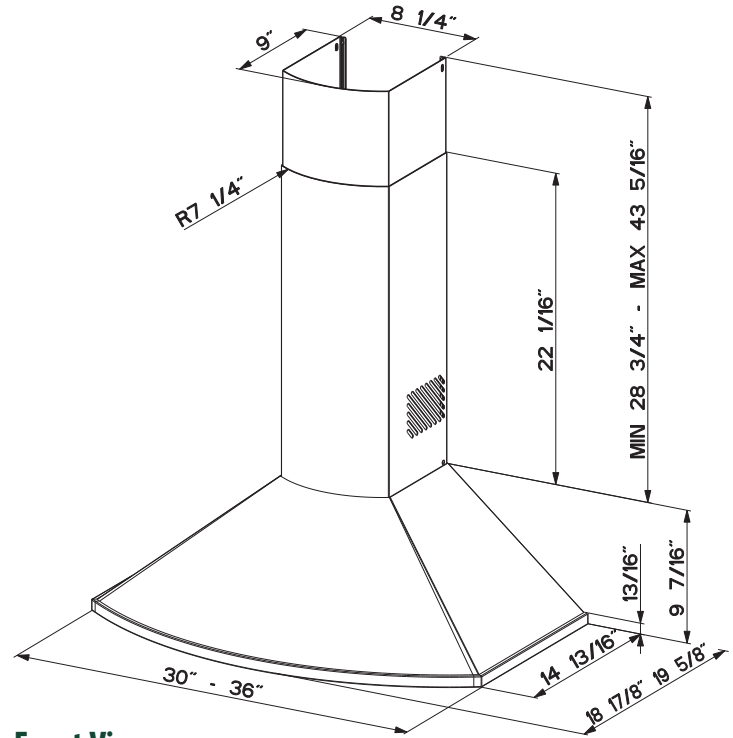
SPECIFICATIONS

min. / max. ceiling height	7' 9 1/8" - 9' 11 1/8"
convertible to ductless / recirculating	yes - kit sold separately
canopy depth / height	19 5/8" d / 9 7/16" h
high ceiling kit	yes - reaches up to 11' 11" ceilings
controls	4 speed electronic w/ white led
lighting	2 x 1 (w) led - two level
ducting top	6" round
grease filters	dishwasher safe mesh
10 minute intensive speed	yes
15 minute auto shut off	yes
ADA compliant	yes (with remote control purchase)
power cord included	yes
AC power	320 watts / 2.7 amps

DIMENSIONS

PERFORMANCE (600 CFM Motor shown)

SPEED	1	2	3	BOOST
CFM	150	300	450	560
sones	2.8	4.3	6.0	7.5



Front View

ACCESSORIES

FILTER1 - Charcoal Filter Kit

High quality charcoal filter for use when recirculating the air back into the kitchen. Filters out odor and should be replaced every 6 months

HIGHTNDR - High Ceiling Kit

High ceiling kit replaces both the upper chimney with a 39" chimney to reach up to 11'

DUCTCLPL - Ductless Conversion Kit

To convert the Tender to ductless, this kit includes charcoal filters and a diverter to send the air thru the side grates on the lower chimney.

BAFFLE2 (30") / BAFFLE3 - (36") Baffle Filter Kit

Upgrade mesh grease filters to stainless baffle grease filters. BAFFLE2 for 30" models, BAFFLE3 for 36" models.

REMCTRL - Remote Control

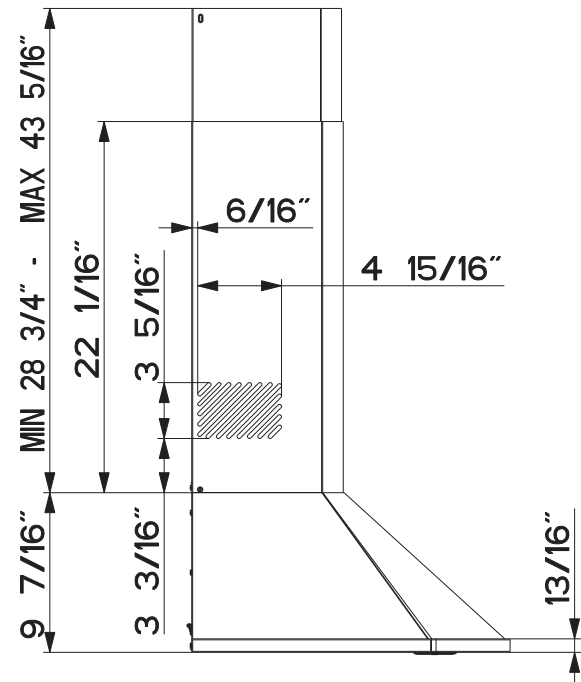
Control all features of the hood from the convenience of a wireless remote control

WIREBOX - Fixed Wiring Box

Replace the power cord with a hard wired box to power the range hood

MUDAMPER6 / MUDAMPER8 - Universal Make-Up Air Damper

Satisfies make-up air requirements, this kit uses an air switch to activate the make-up air damper to open and bring fresh air into the home when the hood fan is on. It then closes tightly when the hood is off. The CFM level is not reduced with this accessory.



Side View



WARNING! Product specifications are subject to change without notification. Consult the installation instructions before you begin installing this range hood



Imagined in Italy