

Installation Instructions

36" Rangetop

49-85219

06-14 GE



Safety Information

BEFORE YOU BEGIN

Read these instructions completely and carefully.

- **IMPORTANT** – Save these instructions for local inspector's use.
- **IMPORTANT** – Observe all governing codes and ordinances.
- **Note to Installer** – Be sure to leave these instructions with the Consumer.
- **Note to Consumer** – Keep these instructions with your Owner's Manual for future reference.
- **Completion Time – 1 to 3 hours.**
- Proper installation is the responsibility of the installer. Product failure due to improper installation is not covered under the warranty. See Owner's Manual for warranty information.

⚠ WARNING

This appliance must be properly grounded. Follow directions in "Electric Supply" of this manual. Failure to do so may result in electric shock.

For local service in your area, 1.800.444.1845.

For Service in Canada, call 1.800.561.3344.

For Parts and Accessories, call 1.800.626.2002.

If you received a damaged rangetop, you should contact your dealer.

In the Commonwealth of Massachusetts:

- This product must be installed by a licensed plumber or gas fitter.
- When using ball type gas shut off valves, they shall be T-handle type.
- A flexible gas connector, when used, must not exceed 3 feet.

If sold outside the U.S. and Canada:

⚠ WARNING: If you wish to use this product with Liquefied Petroleum (LP) gas containing greater than 10% butane, you must purchase the butane conversion kit #WB28K10589. To order, please call 1.888.664.8403 or 1.787.276.4051. Failure to do so may result in carbon monoxide or fire hazard.

Vent hood Combinations:

It is recommended that these rangetops be installed in conjunction with a suitable overhead vent hood.

- Install a hood with at least 1200 CFM above a 48" wide rangetop.
- Install a hood with at least 600 CFM above a 36" rangetop.

Due to the high heat capacity of this unit, particular attention should be paid to the hood and ductwork installation to assure it meets local building codes.

⚠ WARNING:

Do not install this product with an air curtain hood or other range hood that operates by blowing air down on the cooktop. This airflow may interfere with operation of the gas burners resulting in fire or explosion hazard.

Clearances to horizontal surfaces above the range, measured to the cooking surface are below. Failure to comply may result in fire hazard.

- Installations without a hood require 48" minimum to combustibles.
- A custom hood installation with exposed horizontal combustibles surfaces must have an Auto-On feature.
- For other installations with a hood, refer to hood installation instructions for specific hood clearances.

⚠ CAUTION:

These rangetops are extremely heavy. Due to the weight and size of the rangetop and to reduce the risk of personal injury or damage to the product:

TWO PEOPLE ARE REQUIRED FOR PROPER INSTALLATION.

Installation must conform with local codes. In the absence of local codes, the rangetop must comply with the National Fuel Gas Code, ANSI Z223.1/ NFPA 54, latest edition and National Electrical Code ANSI/NFPA 70 latest addition. In Canada, installation must conform with the current Natural Gas Installation Code, CAN/CGA-B149.1 or the current Propane Installation Code, CAN/CGA-B149.2, and with local codes where applicable. This rangetop has been design-certified by CSA International according to ANSI Z21.1, latest edition and Canadian Gas Association according to CAN/CGA-1.1 latest edition.

Leak testing of the appliance shall be conducted according to the manufacturer's instructions.

Design Information

CONTENTS

Design Information

| | |
|---|---|
| Models Available..... | 3 |
| Backsplash Accessories..... | 3 |
| Product Dimensions and Clearances for 48" Wide Models..... | 4 |
| Product Dimensions and Clearances for 36" Wide Models..... | 5 |
| Installation Options | 6 |

Installation Preparation

| | |
|------------------------------------|---|
| Tools and Materials Required | 7 |
| Power Supply Locations | 7 |
| Remove Packaging..... | 8 |

Installation Instructions

| | |
|---|--------|
| Step 1, Cut the Countertop Opening..... | 9 |
| Step 2, Install the Rangetop..... | 10 |
| Step 3, Connect Rangetop to Gas..... | 10 |
| Step 4, Connect Electrical..... | 11 |
| Step 5, Check Burners | 11 |
| Finalize Installation..... | 11 |
| Installation Checklist..... | 11 |
| Install the Rangetop Backsplash Accessory..... | 12 |
| Install the Adjustable Backsplash Accessory..... | 13, 14 |
| Gas Conversion | 15-17 |

MODELS AVAILABLE

Rangetops are factory set for natural gas or LP gas. Order the model for your installation situation.

48" Natural Gas Models:

ZGU484NG – 4 gas burners, grill and griddle
ZGU486NR – 6 gas burners and grill
ZGU486ND – 6 gas burners and griddle

48" LP Gas Models:

ZGU484LG – 4 gas burners, grill and griddle
ZGU486LR – 6 gas burners and grill
ZGU486LD – 6 gas burners and griddle

36" Natural Gas Models:

ZGU364ND – 4 gas burners and griddle
ZGU364NR – 4 gas burners and grill
ZGU366N – 6 gas burners
CGU366S – 6 gas burners

36" LP Gas Models:

ZGU364LD – 4 gas burners and griddle
ZGU364LR – 4 gas burners and grill
ZGU366L – 6 gas burners

BACKSPLASH ACCESSORIES

All models require 12" minimum clearance to a vertical combustible surface at the rear. If clearance is less than 12", the entire surface of the back wall above the countertop and the full width of the rangetop must be protected by a backsplash. The backsplash must be constructed of non-combustible material, such as metal, ceramic tile, brick, marble or other stone.

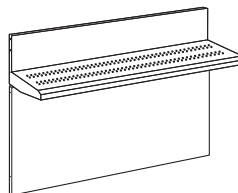
Two Backsplash Accessories Available:

- The 12" high stainless steel backsplash accessory is available. Use this backsplash in combination with a custom, non-combustible backsplash built beyond the 12" height. The combined height of the backsplash accessory and the custom backsplash must reach the bottom of a hood, or when there is no hood, to 48" above the cooking surface.

- An adjustable 30" to 36" high backsplash with shelf is also available. This backsplash fills in the space between the top of the rangetop and the bottom of the hood. The shelf is positioned so that heat lamps from the bottom of a professional hood are directed towards the shelf.



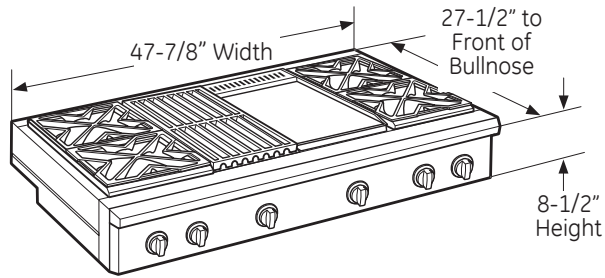
12" High Backsplash
ZX12B48PSS, for 48" wide rangetops
ZX12B36PSS, for 36" wide rangetops



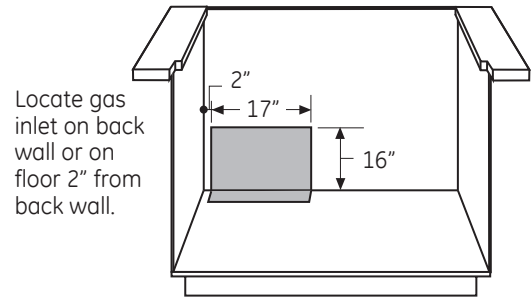
30" to 36" Adjustable Height
Backsplash With Shelf
ZXADJB48PSS, for 48" wide rangetops
ZXADJB36PSS, for 36" wide rangetops

Design Information

PRODUCT DIMENSIONS AND CLEARANCES FOR 48" MODELS



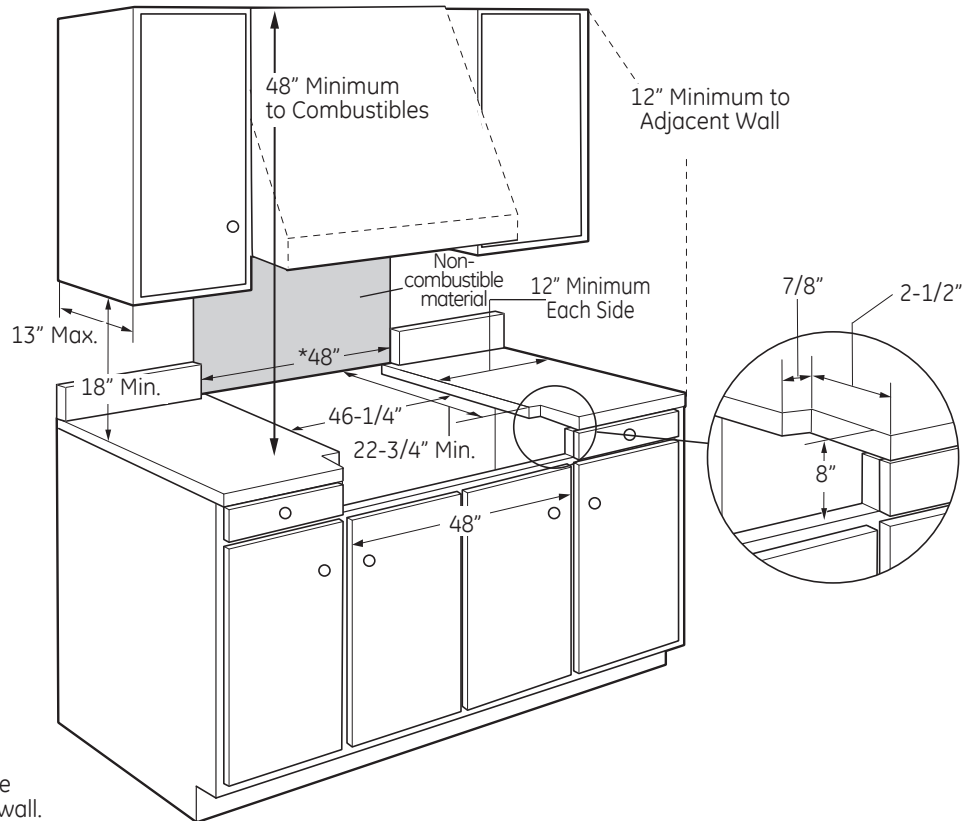
Universal Utility Locations



⚠ WARNING:

Installations without a hood require 48" minimum to combustibles above the rangetop. A custom hood installation with exposed horizontal combustible surfaces must have an Auto-On feature. Refer to hood installation instructions for specific hood clearances.

The surface of the entire back wall above the countertop and below the hood must be covered with a non-combustible material such as metal, ceramic tile, brick, marble or other stone.



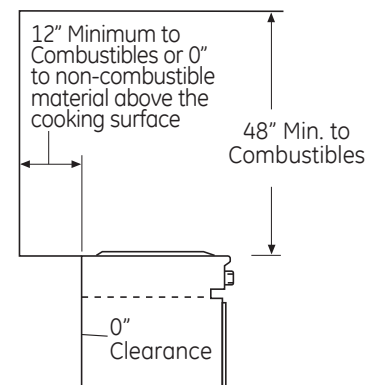
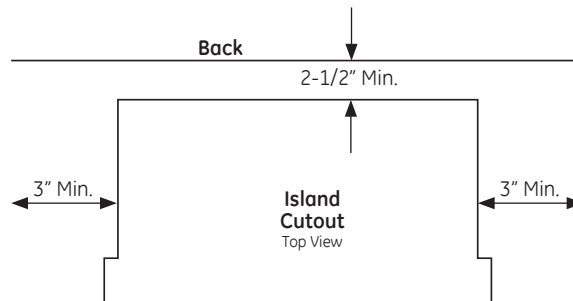
* The opening between a 4" high backsplash must be 48" to allow the rangetop to slide back against the wall.

ADDITIONAL CLEARANCES:

Allow 12" minimum clearance to an adjacent wall on each side.

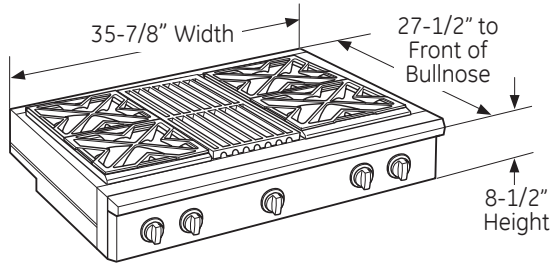
Working areas adjacent to the rangetop should have 18" minimum clearance between countertop and the bottom of the wall cabinet.

For island installation, maintain 2-1/2 in. minimum from cutout to back edge of countertop and 3 in. minimum from cutout to side edges of countertop (see top view).

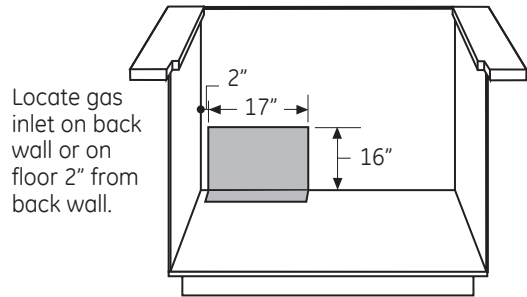


Design Information

PRODUCT DIMENSIONS AND CLEARANCES FOR 36" MODELS



Universal Utility Locations

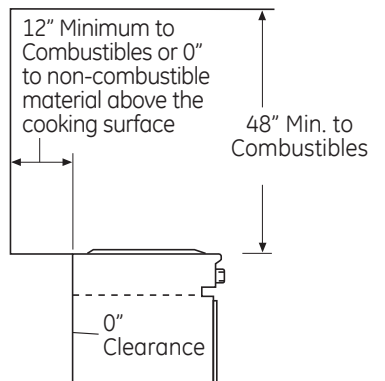
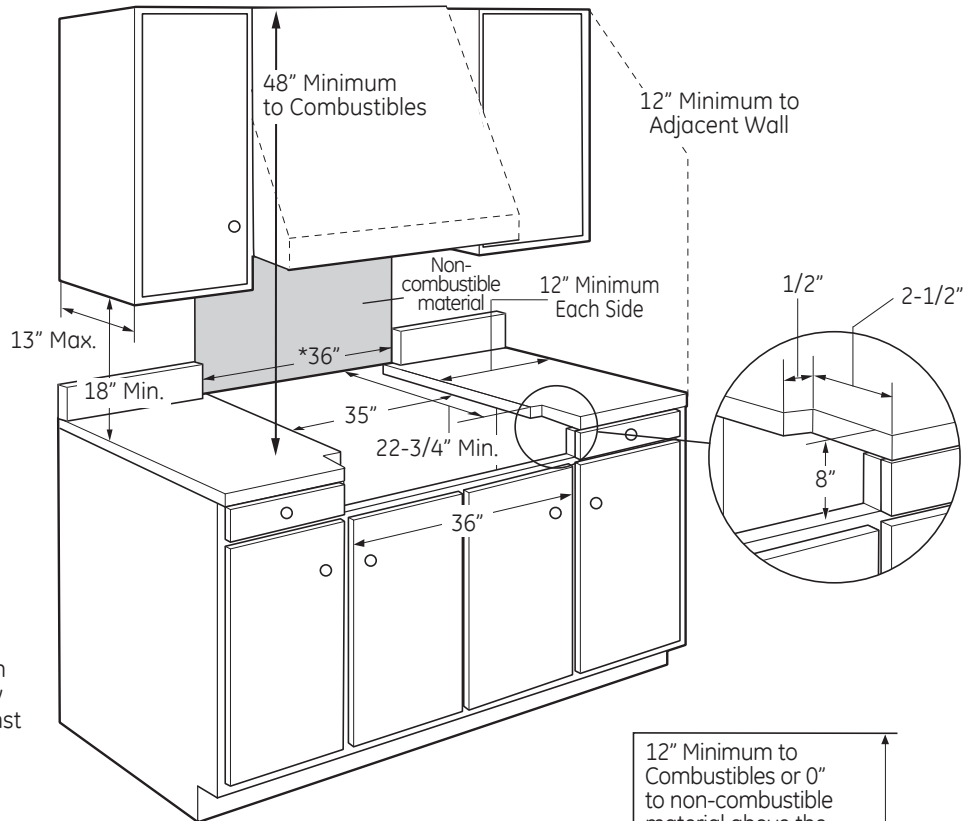


⚠ WARNING:

Installations without a hood require 48" minimum to combustibles above the rangetop. A custom hood installation with exposed horizontal combustible surfaces must have an Auto-On feature. Refer to hood installation instructions for specific hood clearances.

The surface of the entire back wall above the countertop and below the hood must be covered with a non-combustible material such as metal, ceramic tile, brick, marble or other stone.

* The opening between a 4" high backsplash must be 36" to allow the rangetop to slide back against the wall.

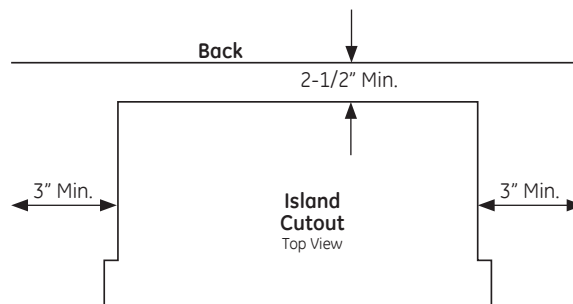


ADDITIONAL CLEARANCES:

Allow 12" minimum clearance to an adjacent wall on each side.

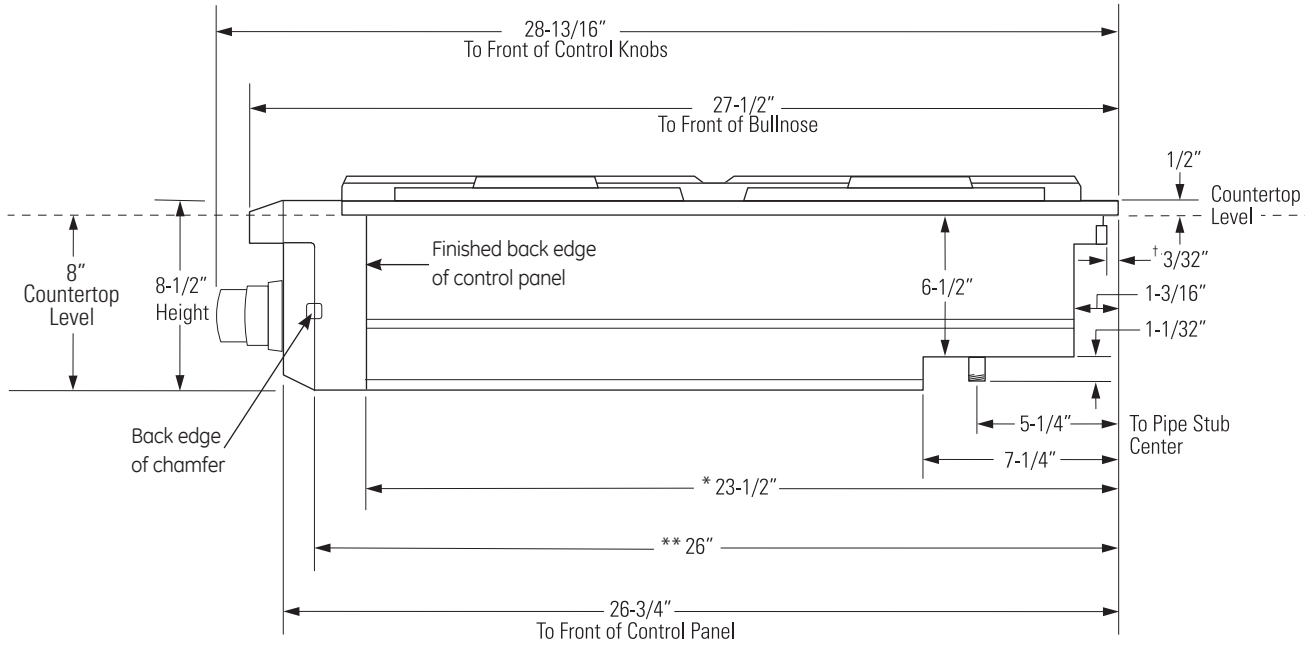
Working areas adjacent to the rangetop should have 18" minimum clearance between countertop and the bottom of the wall cabinet.

For island installation, maintain 2-1/2 in. minimum from cutout to back edge of countertop and 3 in. minimum from cutout to side edges of countertop (see top view).



Design Information

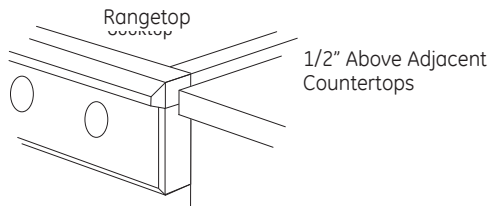
INSTALLATION OPTIONS



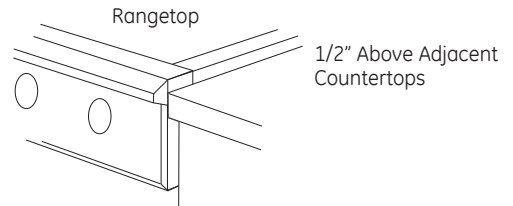
† Include the overhang of the rear trim when countertop continues behind the product. The overhang is decorative only. The weight of the rangetop is fully supported by the side trims.

* Minimum cabinet cutout depth from the back of the rear trim to the back finished edge of the control panel - typically, the minimum cabinet depth (front to back). Maximum cabinet cutout depth is 26" minus the countertop overhang.

** Maximum countertop cutout depth from the back of the rear trim to the back edge of chamfer at the sides of the control panel - typically, the maximum countertop cutout depth (front to back). Minimum countertop cutout depth is 25-1/4".



Control panel projects forwards from standard depth cabinets.



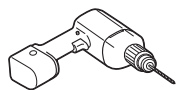
Front of deep cabinets can align with control panel beveled edge.

Installation Preparation

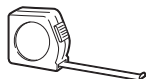
TOOLS REQUIRED



Saber Saw



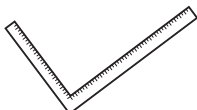
Drill and Appropriate Bits



Measuring Tape



Adjustable Wrench



Carpenter's Square



1/4" Driver or Wrench



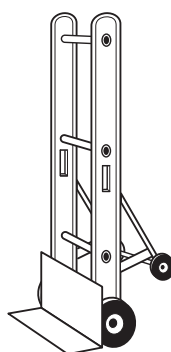
Safety Glasses



Phillips #2 Screwdriver

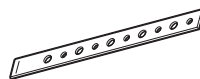


Level



Hand Truck

MATERIALS PROVIDED



Hold-Down Strap

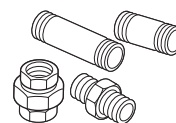


Regulator

MATERIALS REQUIRED (not provided)



Joint Sealant



Pipe Fittings



Shut-Off Valve



5-foot maximum length, 5/8" O.D. CSA-approved flexible metal gas supply (3-foot maximum length in Massachusetts only)

NOTE: Purchase new flexible line; do not use previously used flexible gas line.

POWER SUPPLY LOCATIONS

Gas Supply:

- The natural gas models are designed to operate at 5" water column pressure. For proper operation, the pressure of the natural gas supplied to the regulator must be between 7" and 13" water column.
- The LP models are designed to operate at 10" water column pressure. For proper operation, the pressure of the LP gas supplied to the regulator must be between 11" and 13" water column.
- Locate the pipe stub on the back wall or floor (see "Product Dimensions and Clearances"). Use 5-foot maximum length, 5/8" O.D. flexible gas supply line (3-foot in Massachusetts).
- Install a manual shut-off valve in the gas line (not provided), in an easily accessible location. Make sure the homeowner knows where and how to shut off the gas supply to the rangetop.

Electric Supply:

These rangetops must be supplied with 120 volt, 60 Hz., and connected to a dedicated, properly grounded branch circuit protected by a 15 amp circuit breaker or time delay fuse.

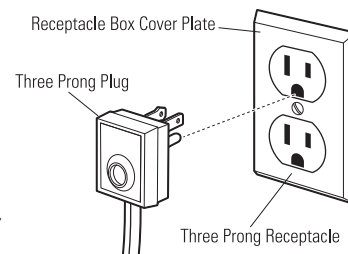
The power cord of this appliance is equipped with a three-prong (grounding) plug which mates with a standard three-prong grounding wall receptacle to minimize the possibility of shock hazard from this appliance.

If the electrical service provided does not meet the above specifications, it is recommended that a licensed electrician install an approved outlet.

DO NOT, UNDER ANY CIRCUMSTANCES, CUT OR REMOVE THE THIRD (GROUND) PRONG FROM THE POWER CORD.

DO NOT USE AN EXTENSION CORD WITH THIS APPLIANCE.

- Locate the electric supply within the area shown or within reach of the rangetop's four-foot power cord.
- To avoid tangling cord with items stored in the cabinet, locate the receptacle on rear wall, inside the cabinet.



Installation Preparation

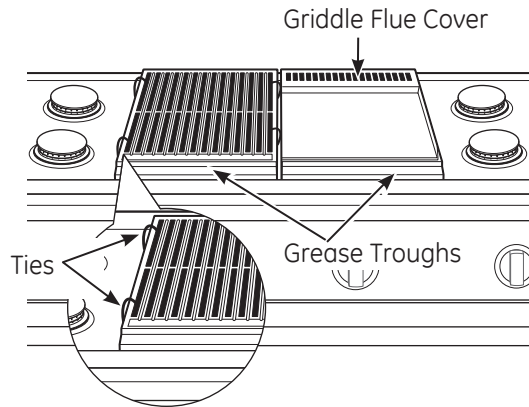
REMOVE PACKAGING

⚠ CAUTION

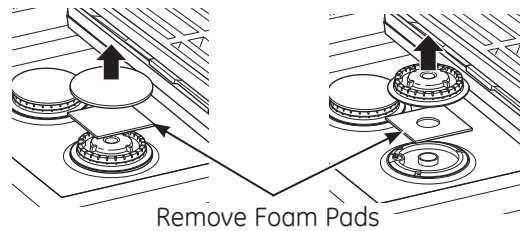
Stand clear. The ends of the cut metal banding may snap toward you.

- Cut the metal banding.
- Remove packaging tape and foam. Dispose of packaging materials properly.
- Remove grill/griddle covers, grill grate and burner grates.
- Lift out cast-iron griddle flue cover, grease troughs and pads.

- Cut the ties holding the grill grate to the grill frame.

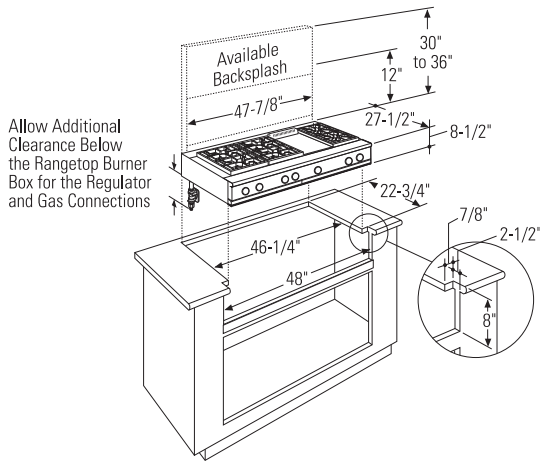


- Lift off burner caps and remove foam pad, then lift off burner heads and remove foam pad.



Installation

STEP 1 CUT THE COUNTERTOP OPENING

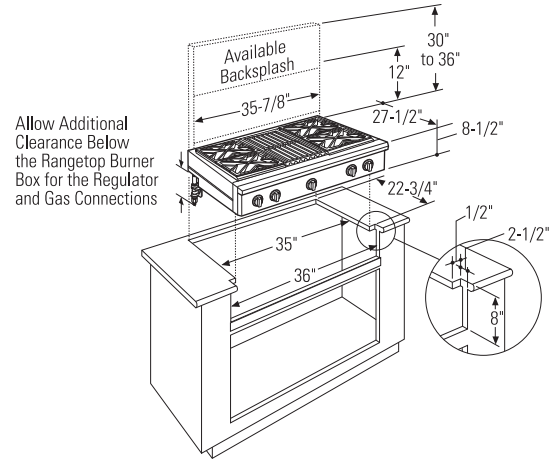


48" wide models are designed to fit in 48" or wider base cabinets

Measure carefully when cutting the countertop. Make sure sides of the opening are parallel.

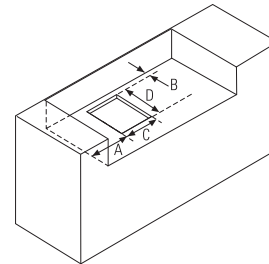
- Allow 8" free space below the top surface of the countertop.
- Allow additional clearances below the burner box to install the regulator and make house supply connections. Use a 90° elbow to route the gas connections and limit interference with drawers or other cabinetry features.
- These rangetops are designed to hang from the countertop by their side flanges.
- Smooth any rough edges on the countertop before installing the rangetop.
 - Formica countertop edges must be finished.

The countertop must be strong enough to support the weight of the rangetop.



36" wide models are designed to fit in 36" or wider base cabinets

Cutout Opening with False Bottom



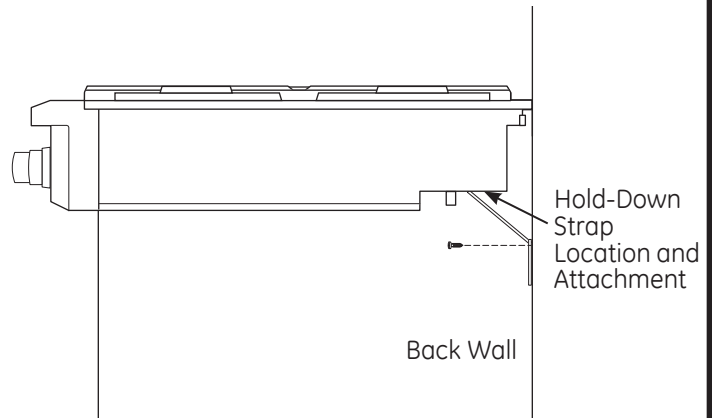
| Dimensions | | | | |
|--------------|----------|--------|--------|---------|
| | A (Dia.) | B | C | D |
| 36" Rangetop | 7-3/8" | 1-1/2" | 7-1/2" | 11-1/8" |
| 48" Rangetop | 8-1/4" | 1-1/2" | 7-1/2" | 11-1/8" |

- You can construct the cutout with a false bottom to conceal the bottom of the rangetop.
 - Build the false bottom using a solid material; cut a 7-1/2" x 11-1/8" hole in the left rear corner for the gas inlet and power cord clearances.

Installation

STEP 2 INSTALL RANGETOP

- Slide the rangetop into the opening. Make sure the rangetop is evenly seated and supported.
- A hold-down strap with screws is provided to secure the rangetop to the rear or side cabinet walls.
- Remove the hold-down strap from the back of the rangetop. Attach one end of the strap to the back of the rangetop.
- Secure the other end of the strap as high as possible to the cabinet back wall or adjacent cabinet. Keep the strap as short as possible for better security.



STEP 3 CONNECT RANGETOP TO GAS

⚠ WARNING

Do not use a flame to check for gas leaks.

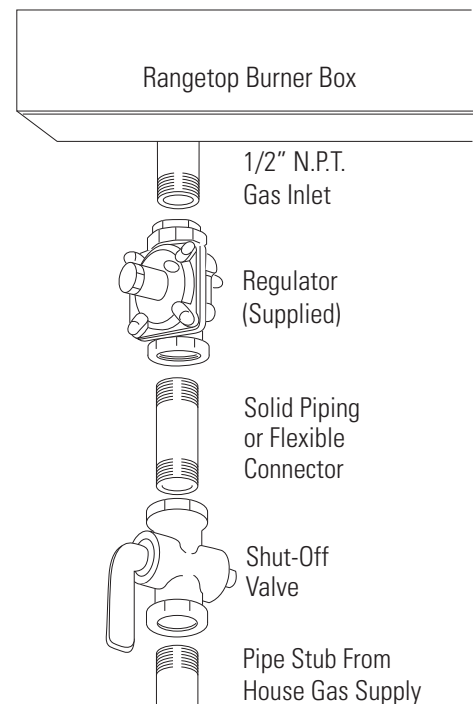
A manual shut-off valve must be installed where it will be accessible.

Assure that gas is turned off at the shut-off valve.

- Install the supplied pressure regulator onto the end of the gas inlet.
- You can install a 90° elbow (not provided) onto the gas inlet and route the gas connections to avoid interference with drawers or other cabinetry features. However, it is not recommended because it will result in a drop in gas pressure.
- Make sure the regulator is installed in the right direction. See arrow on the underside of the regulator.

NOTE: Instead of using solid piping to connect to pressure regulator, an approved flexible metal appliance connector may be used between the pipe stub and the shut-off valve to the pressure regulator, if local codes permit.

- Turn on gas and check for leaks:
 - Use a liquid leak detector at all joints and connections in the system.



IMPORTANT: Disconnect the rangetop and the individual shut-off valve from the gas supply piping system during any pressure testing of that system at test pressures greater than 1/2 psig. Isolate the rangetop from the gas supply piping system by closing the individual manual shut-off valve to the rangetop during any pressure testing of the gas supply piping system at test pressures equal to or less than 1/2 psig.

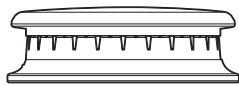
Installation

STEP 4 CONNECT ELECTRICAL

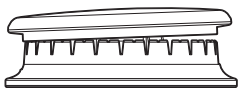
- Plug power cord into properly grounded receptacle.
- Press the button on the left side of the control panel. The lights above the knobs should illuminate.

STEP 5 CHECK BURNERS

Check to be sure that burner heads and caps are securely seated.



Burner Cap Properly Seated



Burner Cap Not Properly Seated

- Check for proper ignition:
 - Push in one control knob and turn to LITE position.
 - The igniter will spark and the burner will light; the igniter will cease sparking when the burner is lit.
 - First test may require some time, while air is flushed out of the gas line.
 - Turn knob to OFF.
 - Repeat the procedure for each burner.

IMPORTANT: If the igniter electrodes continue to spark after the burners are lit, check that each burner component is assembled properly. Refer to the Owner's Manual.

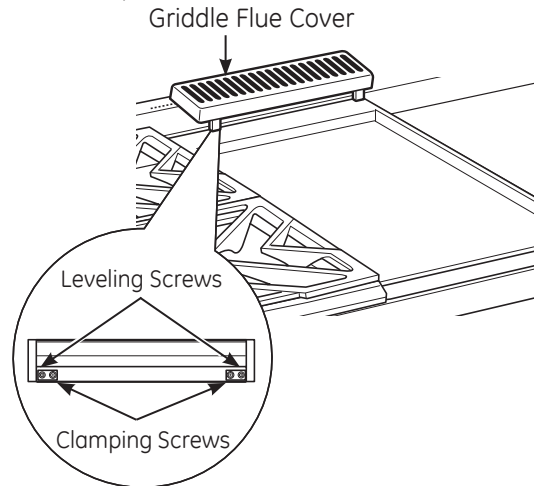
- Burner flames should be blue and stable with no yellow tips, excessive noise or lifting of the flame from the burner. If any of these conditions exist, check that the burner ports are not blocked. If one of these conditions continues, call for service.

FINALIZE INSTALLATION

Place the burner grates over the burners. The grates should be seated and should not rock.

The griddle is secured with screws. It is designed to be stationary and should not be removed.

The griddle has two leveling screws beneath the rear flue cover that can be used to adjust to the desired slope.



The two inner screws are clamping screws for securing the griddle in place. Loosen these two screws before leveling. Do not remove these two screws.

The two outer screws are leveling screws. Do not remove these two screws. They can be turned to level the griddle or to provide a forward slope to help grease and oils to drain away from the food being cooked.

After leveling the griddle, hand-tighten the clamping screws; do not over-tighten.

INSTALLATION CHECKLIST

- Make sure all controls are left in the OFF position.
- Make sure the flow of combustion and ventilation air to the rangetop is unobstructed.
- The serial plate for your rangetop is located on the bottom of the rangetop. In addition to the model and serial numbers, it tells you the ratings of the burners and the type of fuel and pressure the rangetop was adjusted for when it left the factory.
- **Recheck Steps:**
Double check to make sure everything in this manual has been completed. Rechecking steps will ensure safe use of the rangetop.

ZX12B30PSS, ZX12B36PSS, ZX12B48PSS Accessory Installation

OPTIONAL ACCESSORIES—12" HIGH BACKSPLASH

⚠ WARNING:

To prevent ignition of combustible materials, the entire back wall above the range must be protected by a backsplash constructed of non-combustible material.

This stainless steel backsplash accessory must be installed in combination with a custom, non-combustible backsplash built beyond the 12" height of the backsplash.



BEFORE YOU BEGIN

Read these instructions completely and carefully.

IMPORTANT: Save these instructions for local inspector's use.

IMPORTANT: OBSERVE ALL GOVERNING CODES AND ORDINANCES.

NOTE TO INSTALLER: Be sure to leave these instructions with the Consumer.

NOTE TO CONSUMER: Keep these instructions with your Owner's Manual for future reference.

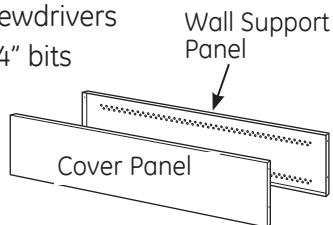
This kit provides for the installation of a 12" high backsplash for 30", 36" or 48" Professional Ranges and Rangetops.

TOOLS AND MATERIALS REQUIRED

- Gloves to protect against sharp edges
- T-15 and #2 Phillips screwdrivers
- Drill with 3/32" and 9/64" bits
- Safety glasses
- Level
- Pencil

This Kit Includes

- Wall support panel
- Cover panel
- Hardware package with
 - 5 Stainless Steel Torx 15 #8 self-tapping screws
 - 5 Phillips #2 pan head wood #10 screws

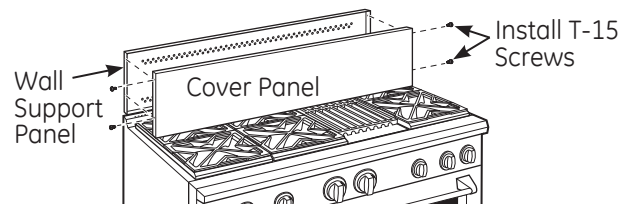
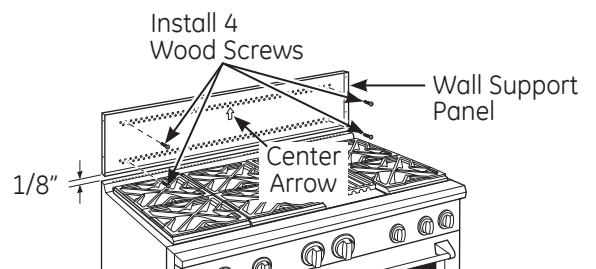


Hardware Package

INSTALL 12" BACKSPLASH

⚠ WARNING: This backsplash must be securely fastened to the wall. Failure to do so could result in damage or personal injury.

- Install and level the range or rangetop and the range hood according to the installation instructions.
- Remove the backsplash packaging and protective film.
- Use a level to pencil a horizontal line on the wall, 1/8" above the range or rangetop. The 1/8" gap allows the cover panel to overlap the wall support panel.
- Locate wall studs on each side. Where studs are not available, plan to use wall anchors (not provided).
- Align the wall support panel on the marked horizontal line and centered left to right.
- The wall support panel must be secured to the wall at all 4 corners. Use wood screws (provided) or wall anchors (not provided) to secure the support panel to the wall.
- Place the cover panel over the wall support panel and secure with Torx screws (provided). Install 2 screws on each side.



ZXADJB30PSS, ZXADJB36PSS, ZXADJB48PSS Accessory Installation

ACCESSORIES—30" TO 36" ADJUSTABLE BACKSPLASH (not included)

⚠ WARNING:

To prevent ignition of combustible materials, the entire back wall above the range must be protected by a backsplash constructed of non-combustible material.



BEFORE YOU BEGIN

Read these instructions completely and carefully.

IMPORTANT: Save these instructions for local inspector's use.

IMPORTANT: OBSERVE ALL GOVERNING CODES AND ORDINANCES.

NOTE TO INSTALLER: Be sure to leave these instructions with the Consumer.

NOTE TO CONSUMER: Keep these instructions with your Owner's Manual for future reference.

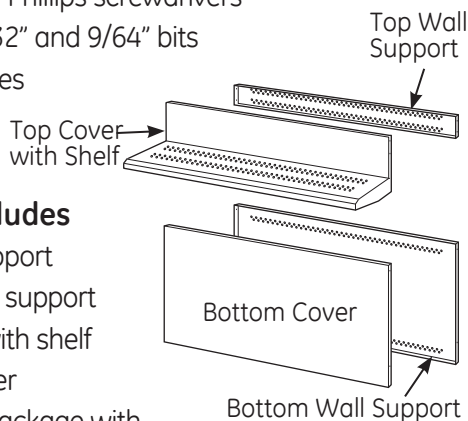
- This backsplash adjusts to fit the space between the top of the range and the bottom of the hood, from 30" Min. to 36" Max. height.
- Maximum shelf load-bearing weight is 40 lbs.

TOOLS AND MATERIALS REQUIRED

- Gloves to protect against sharp edges
- T-15 and #2 Phillips screwdrivers
- Drill with 3/32" and 9/64" bits
- Safety glasses
- Level
- Pencil

This Kit Includes

- Top wall support
- Bottom wall support
- Top cover with shelf
- Bottom cover
- Hardware package with
 - 9 Stainless Steel Torx 15 #8 self-tapping screws
 - 9 Phillips #2 pan head wood #10 screws
 - 3 Stainless Steel #2 truss head #10 screws (for alternate installation method)



Hardware Package

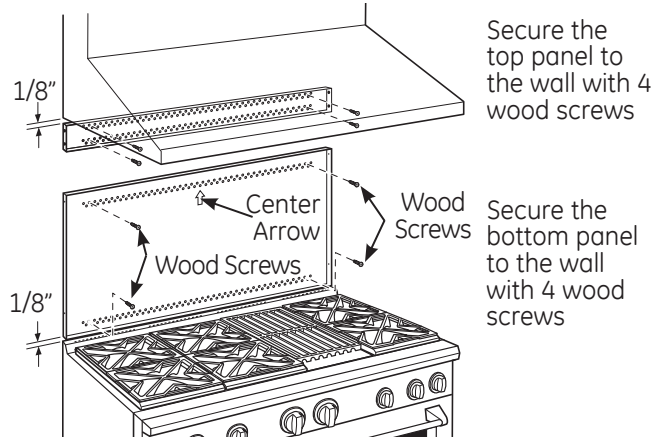
INSTALL THE WALL SUPPORT PANELS

⚠ WARNING: The wall support panels must be securely fastened to the wall. Failure to do so could result in damage or personal injury.

IMPORTANT: This backsplash is designed to cover the wall between the bottom of the hood and the top of the range. The vent hood should be installed over the rangetop or range before installing this backsplash.

- Install and level the Range/Rangetop according to the product installation instructions.
- Remove backsplash packaging and protective film.
- Locate wall studs on each side. Where studs are not available, plan to use wall anchors (not provided).
- Use a level to pencil 2 horizontal lines on the wall, one 1/8" below the vent hood and the other 1/8" above the Range/Rangetop. This 1/8" space allows the cover panels to overlap the wall supports.
- Secure the top wall support panel to the wall with 4 wood screws, through the outermost studs.
- Use 4 wood screws to secure the bottom wall support panel. The center slot should be positioned at the top.

The gap between the top and bottom support panels will be covered by the top cover with shelf.

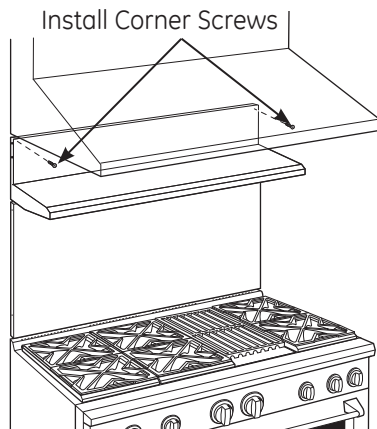
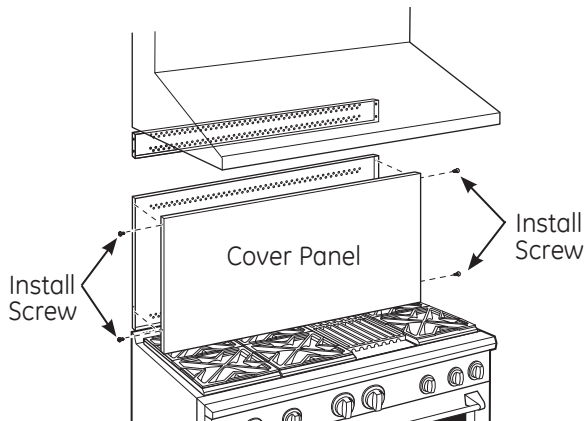


ZXADJB30PSS, ZXADJB36PSS, ZXADJB48PSS Accessory Installation

INSTALL COVER PANELS

See alternate method if side access is blocked.

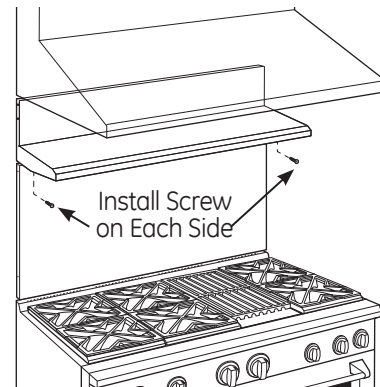
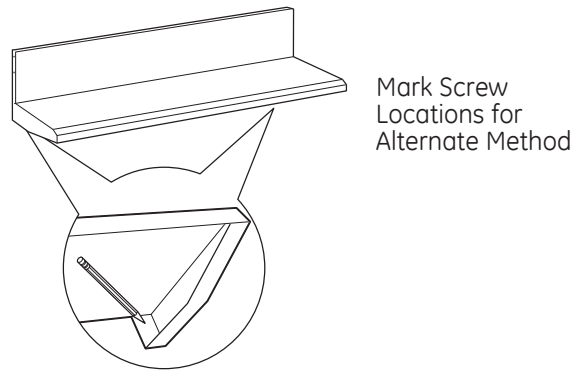
- Hold the bottom cover over the bottom support while driving one screw (provided) into each side.
- Place the top cover with shelf over the top wall support. If you have access to the sides, secure the panel with two screws on each side.
- Secure the top cover with shelf to the top support with screws through the front of the panel, at the top corners. Use one screw on each side.



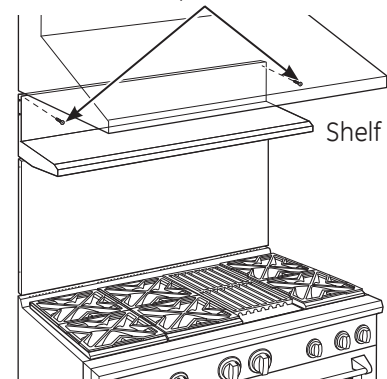
INSTALL COVER PANELS (cont.)

ALTERNATE METHOD: When side access is blocked

- Install bottom cover over the bottom support while driving one screw into each side.
- Hold top cover in place while marking screw locations, just below shelf support and onto bottom cover.
- Remove the shelf and drill a 9/64" diameter hole in the pencil-marked locations.
- Mount the top cover over the top support and secure the front cover with screws through the drilled holes on each side.
- Install screws through each top corner.



Install Screw in Top Corner on Each Side



Installation Instructions

Convert Natural Gas to LP Gas Operation Convert LP Gas to Natural Gas Operation

⚠ WARNING: This conversion must be performed by a qualified installer or gas supplier in accordance with the manufacturer's instructions and all codes and requirements of the authority having jurisdiction. Failure to follow instructions could result in serious injury or property damage. The qualified agency performing this work assumes responsibility for the conversion.

⚠ WARNING: The rangetop, as shipped from the factory, is set for use with its intended gas. If you wish to use your rangetop with the alternate gas, you must first replace the orifices and convert the pressure regulator.

⚠ WARNING: The following adjustments must be made before turning on the burner. Failure to do so could result in serious injury. Be sure pressure regulator has been converted as described in Step 2.

TOOLS YOU NEEDED FOR CONVERSION



Crescent Wrench



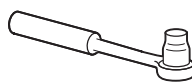
1/4" and 7mm Nutdrivers



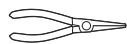
Safety Glasses



Small Flat-Head Screwdriver (2 to 2.4 mm or 3/32" tip size, 60 mm long)



1/2" Deepwell Socket Wrench



Small Pliers



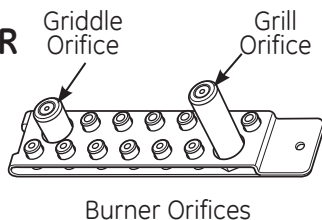
Philips Screwdriver

1 ORIFICE HOLDER

The range orifice holder is located behind the front access panel at the bottom of the range.

The rangetop orifice holder is located inside the range insulation cover.

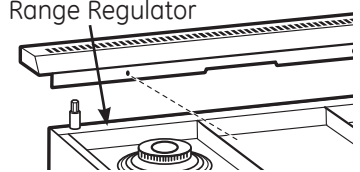
Additional orifices may be present. Use only the orifices specified in the instructions for your range or rangetop.



2 CONVERT THE REGULATOR

Disconnect all electrical power at the main circuit breaker or fuse box.

- A. Remove the rear vent trim (on ranges only) to access the regulator.



The Rangetop regulator is on the left bottom corner.

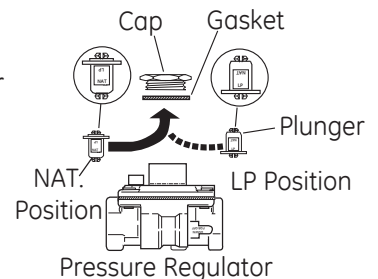
- B. Shut off the gas supply by closing the manual shut-off valve in the unit or at the wall.

- C. Convert the pressure regulator:

- Unscrew the cap with plunger.
- Place your thumb against flat side of the plunger and press down to snap the plunger out of the cap.

- Carefully look at the plunger to locate the NAT or LP position.
- Turn the plunger over so that the desired gas is showing near the bottom.

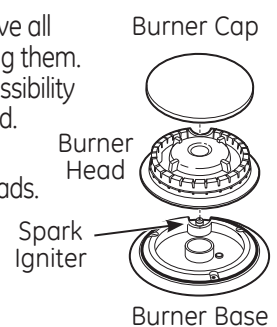
- Snap the plunger back into the cap.
- Screw the cap back onto the regulator.



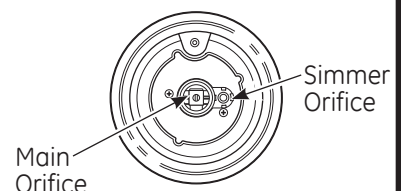
3 CHANGE BURNER ORIFICES

INSTALLATION TIP: First remove all orifices and then start replacing them. This will help to prevent the possibility that some may not be replaced.

- A. Remove the burner grates, burner caps and burner heads.
- B. Loosen the top burner orifices using a 7 mm nut driver. Use small pliers to carefully lift out the orifices.



The main orifice is located low in the center of the burner, while the simmer orifice is located higher beside the center of the burner.

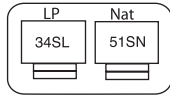
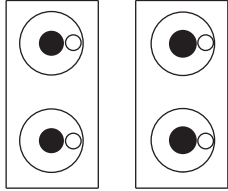


Installation Instructions for Gas Conversion

3 CHANGE BURNER ORIFICES (cont.)

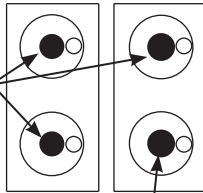
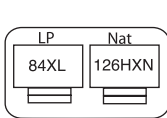
IMPORTANT: Find your model number below. Read each orifice label to identify and install them in the exact locations shown.

ZDP304 SIMMER ORIFICES



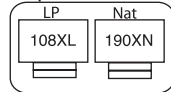
A 34SL or 51SN orifice will be used on all burners.

ZDP304 MAIN ORIFICES



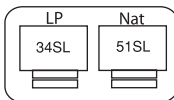
Use a 108XL or 190XN orifice for the right front burner.

A 84XL or 126HXN orifice will be used on these three burners.

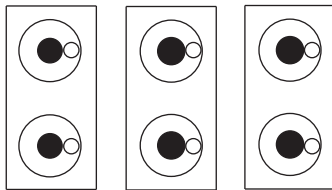


ZDP364, ZDP366, ZDP484, ZDP486

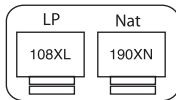
SIMMER ORIFICES



A 34SL or 51SN orifice will be used on all burners.



MAIN ORIFICES



Use 108XL or 190XN orifices for all burners.

- Return the unused orifices to the holder. Reattach the holder and the instruction sheet with screw in the original storage location.
- Replace the burner heads, caps and top grates. On range models, replace rear vent trim.

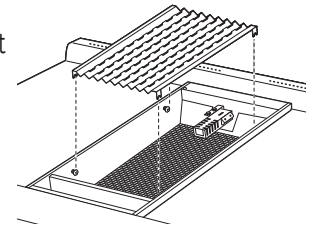
4 ** CHANGE GRILL ORIFICE (if present)

Locate the 1-1/2" long Grill orifice.
Select for your gas type. LP—.047, NAT—.067



4 ** CHANGE GRILL ORIFICE (cont.)

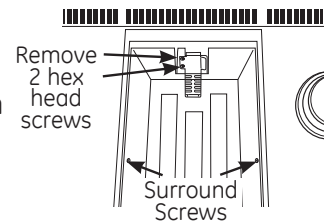
- Remove the grill cover, grates and grate frame. Lift the radiant baffle straight up and off.



- Remove the 2 hex head screws from the top of the igniter.

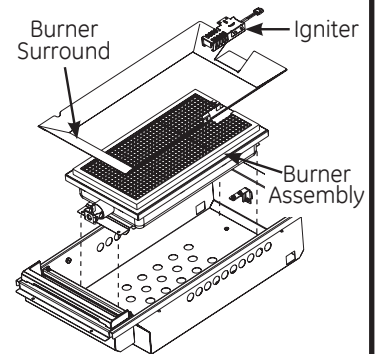
- Remove one screw from each side of the burner surround.

- Lift out the surround.



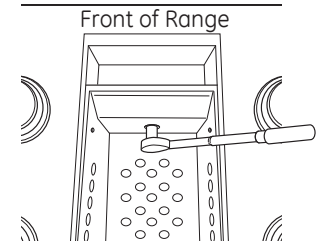
- Carefully push the igniter aside and under the burner. Do not pull or pinch the wire.

- Remove 4 burner attachment screws, 2 at the front and 2 at the back. Slide the burner assembly toward the back and out of the gas inlet.



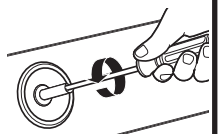
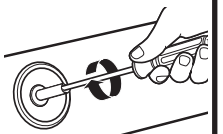
- Use a 1/2" deep well socket to remove and replace the orifice.

- Reverse these steps to re-assemble the grill. Be sure to place the unused orifice in the holder for possible future use.



- Adjust Grill "LO" Setting

- Make certain gas and electricity to unit are turned off.
- Turn the grill knob to **LO** and remove the knob by pulling straight off.
- Insert a small flat-blade screwdriver into the hole in the center of the valve stem to engage set screw.
- To convert the LO setting from natural gas to LP, turn the screw clockwise until it stops (about 3/4 turn). It may be necessary to grasp the exterior of the valve stem with a pair of pliers to prevent the valve stem from rotating as the set screw is adjusted.
- To convert the LO setting from the LP to natural gas setting, turn the screw counterclockwise about 3/4 turn.



Installation Instructions for Gas Conversion

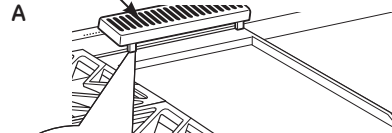
5 CHANGE GRIDDLE ORIFICE (if present)

Locate the 3/4" long griddle orifice.
Select for your gas type. LP—.047, NAT—.076



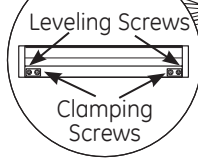
- A. Lift off the griddle flue

Griddle Flue Cover



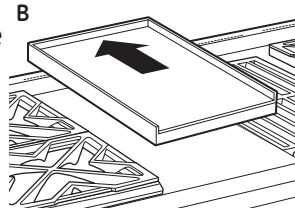
cover. Remove the 2 inside clamping screws.

- B. Lift out the cast-iron grease trough. Slide the griddle toward the rear and out of the hold-down tabs along the bottom.

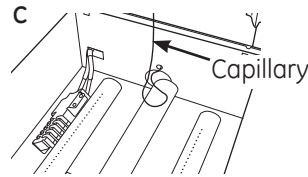


NOTE: Remove the 2 screws positioned on the inside only. Do not remove the outermost screws—they are for leveling.

- C. Carefully lift and hold the griddle while pulling additional length of the capillary from the entry hole. Stand the griddle on end in the grease sump.



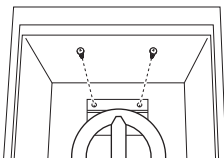
- D. Remove the 2 hold-down screws at the rear of the burner.



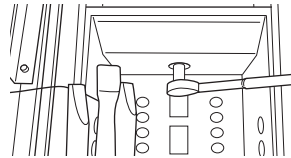
Pull the burner straight back toward the rear and out of the gas inlet.

- E. Use a 1/2" deepwell socket to remove and replace the orifice.

D Back of Range



E Front of Range



Reverse these steps to reassemble the griddle. Push excess capillary back into the entry hole. Place the unused orifice in the holder for possible future use.

6 ADJUST BURNER FLAMES

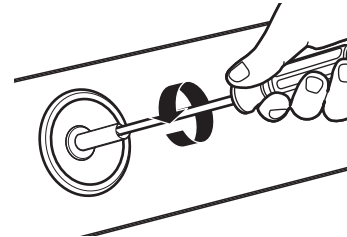
Normally, burners do not need further adjustment. Make adjustments only when necessary.

- A. Turn on the gas. Plug in electrical cord.
B. Turn all burners on highest setting and check the flames. They should be blue in color. When using LP gas, the flames may have some yellow tipping at the ends of the flame. Foreign particles in the gas line may cause an orange flame at first, but this will soon disappear.
C. Turn the burner knob to "LO" while observing the flame.

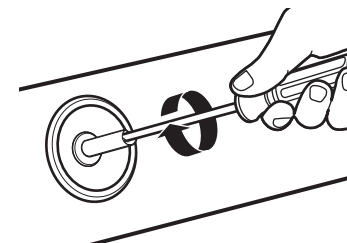
Adjust the setting of the upper row of flames using the valve bypass screw as follows:

Adjustments must be made with two other burners in operation on a medium setting. This prevents the upper row of flames from being set too low, resulting in the flame being extinguished when other burners are turned on.

- D. To adjust the flame, remove the knobs. Insert a small flat-blade screwdriver into the hole in the center of the valve stem to engage screw.



- If the flames are too small or flutter, turn the screw counterclockwise.



- If the flames are too large, turn the screw clockwise.

- E. Make the adjustment by slowly turning the screw until flame appearance is correct.

Once the conversion is complete and checked, fill out the conversion label and affix the label near the rating label. For ranges, place the label beneath the control panel. For rangetops, place the label on the bottom of the unit.

Notes

Notes

Notes
