

Installation Instructions

ZUG2 Trim Kit Unified Custom Grille Panel

This kit provides for the installation of a unified grille panel for a framed or overlay custom panel. The panel will span the combined width of a side by side installation.

Completion Time: Allow approximately 2 hours to install this kit.

IMPORTANT: 2 People are required to install this kit.

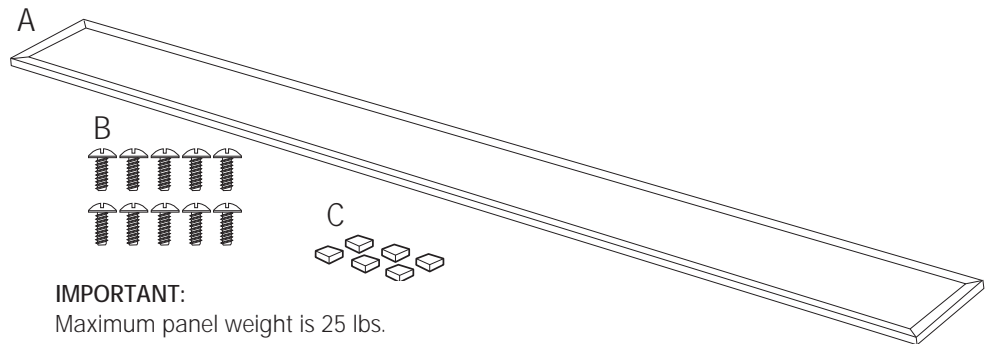
Disconnect power before you begin.

Tools and materials Required:

- #1 and #2 Phillips screwdrivers
- Custom grille panel
- Safety glasses
- Gloves to protect against sharp edges

Parts List:

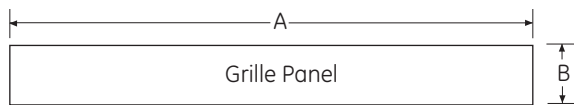
- A. Unified grille panel frame
- B. 10 Black #8-32 x 3/8 screws
- C. Foam spacer pads



IMPORTANT:
Maximum panel weight is 25 lbs.

BEFORE YOU BEGIN:

Panels must be cut to the dimensions shown.



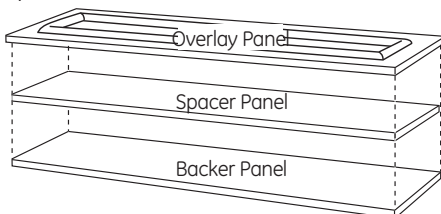
Framed Panel Dimensions

| | A (Width) | B (Height) |
|-------------------|-----------|------------|
| 1/4" Framed Panel | 69-7/8" | 8-7/8" |

Overlay Panels Dimensions

| | A (Width) | B (Height) |
|--------------------|-----------|------------|
| 1/4" Backer Panel | 69-7/8" | 8-7/8" |
| 0.10" Spacer Panel | 68-1/2" | 7-5/8" |
| 3/4" Overlay Panel | 70-1/8" | 9" |

IMPORTANT NOTE: The maximum weight for the unified grill is 25 pounds.

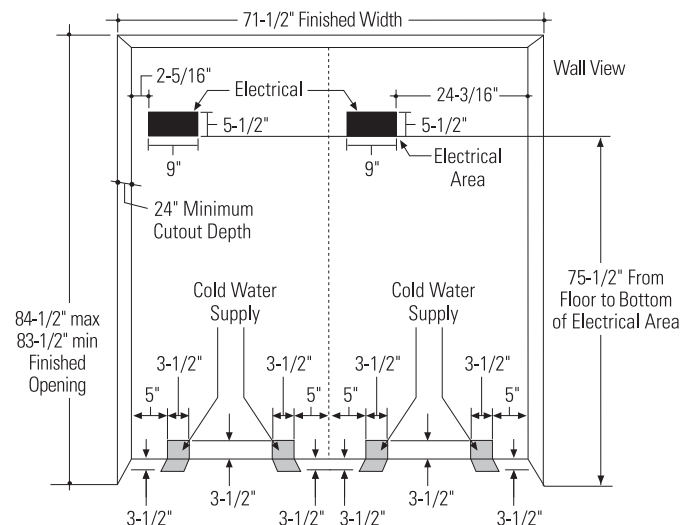


Assemble the overlay panels as shown, using glue and screws. Center the spacer panel on the backer panel. Center the overlay panel on the backer and spacer panel.

THE INSTALLATION SPACE

- The installation space must be 71-1/2" wide.

NOTE: Additional cutout width may be required when side panels are used. Add side panel thickness to the finished cutout to calculate rough-in width.



- The water and electrical locations for each product must be located as shown.
- A separate 115V, 60Hz, 15 or 20 amp power supply is recommended for each product.

STEP 1 INSTALL FOAM SPACER PADS (Bottom-Mount and All Refrigerator/All Freezer Models)

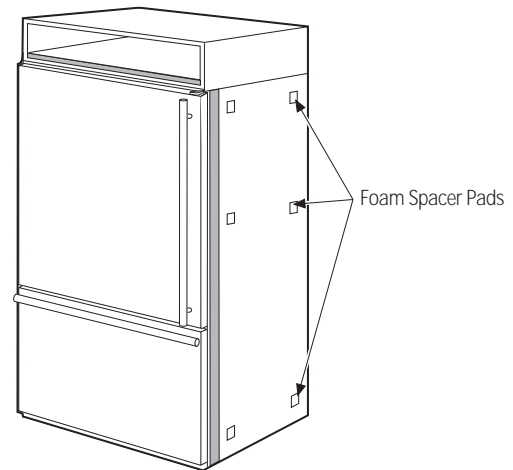
CAUTION:

Handle parts with care to avoid scratching.

PRUDENCE :

Manipulez les pièces soigneusement pour éviter de les rayer.

Apply the supplied foam spacer pads (D) to the mating side of one product as shown.



STEP 2 INSTALL ANTI-TIP BRACKET

BOTTOM FREEZER MODELS ONLY

⚠ WARNING:

ANTI-TIP PRECAUTIONS

These refrigerators are top-heavy and must be secured to prevent the possibility of tipping forward.

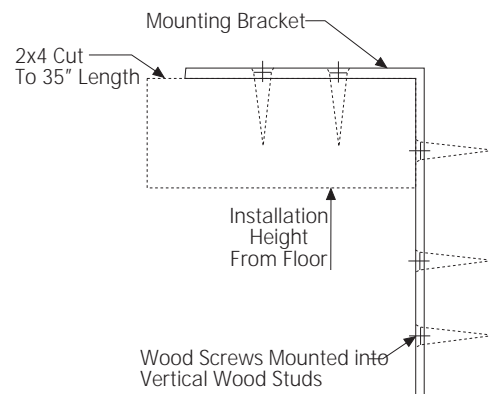
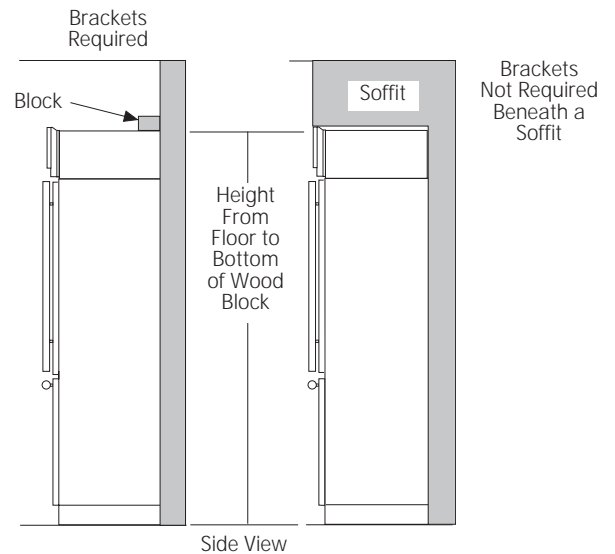
⚠ ATTENTION:

PRECAUTIONS CONTRE LES BASCULEMENTS

Le réfrigérateur est beaucoup plus lourd en haut et il faut le maintenir en place pour éviter la possibilité de son basculement vers l'avant.

- Cut a 2"x4" block 71" long. Secure the 2"x4" to the 4 mounting brackets provided using #12 or #14 wood screws.
- Secure the brackets with wood block to the back wall so that it is 84" (or your installation height) from the finished floor. Use #12 or #14 wood screws. See illustration.
- Screws must penetrate at least one inch into vertical wall studs.
- Gently push refrigerator into the opening with hands against front corners.

NOTE: When the refrigerators are installed under a soffit, or if there is not enough height for this method of security, brackets cannot be used. Proceed to "Level the Refrigerator" and to "Secure side trim to cabinetry".
The refrigerators must be secured to prevent tipping.



STEP 2A INSTALL ANTI-TIP BRACKET

ALL-REFRIGERATOR, ALL-FREEZER "X" MODELS ONLY

⚠ WARNING:

ANTI-TIP PRECAUTIONS

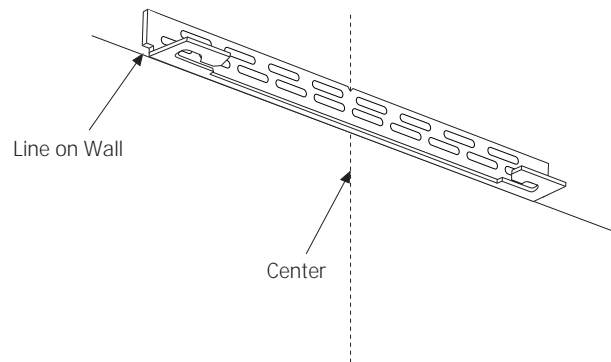
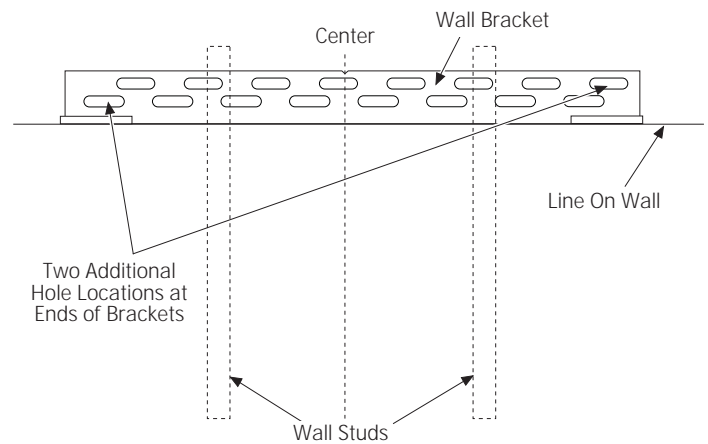
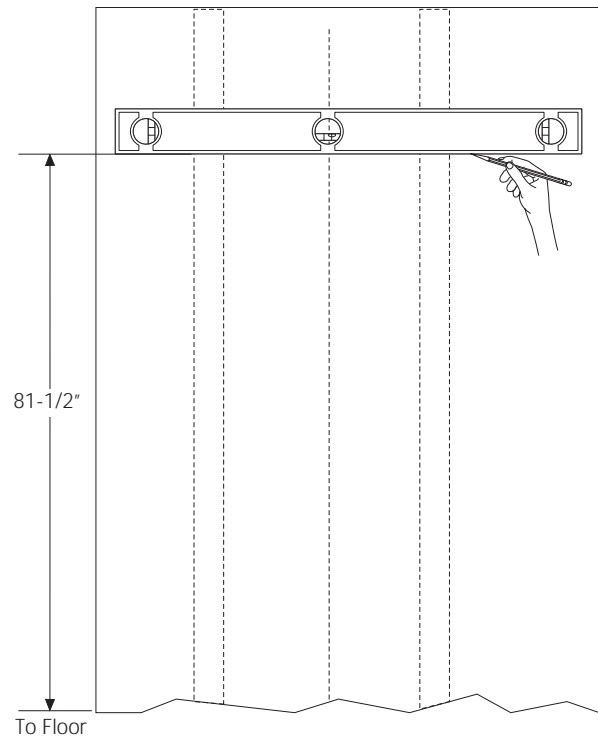
The unit is top-heavy and must be secured to prevent the possibility of tipping forward.

⚠ ATTENTION:

PRECAUTIONS CONTRE LES BASCULEMENTS

L'appareil ménager est beaucoup plus lourd en haut et il faut le maintenir en place pour éviter la possibilité de son basculement vers l'avant.

- The kit supplied with the unit contains 3 (2 required, 1 extra) lag bolts and 5 (4 required, 1 extra) toggles with bolts. The wall bracket will be attached to the wall in 4 places.
- Measure the opening where the unit is to be installed. Mark the center with a vertical line.
- Measure up 81 1/2" from the floor. Mark this point on the wall.
- Using a level, draw a horizontal line on the wall at this height.
- Locate at least 2 studs on the back wall. Mark these points on the horizontal line.
- Place the bottom of the wall bracket with tabs on the horizontal line. Align the center notch on the bracket with the center line on the wall.
- The anti-tip wall bracket has a series of holes. Select 2 holes that match with the located studs. Make sure the holes selected are on the center of the studs. Mark the wall at these points.
- Mark an additional hole at each end of the bracket. If one of the studs is closer to the end of the bracket, mark an additional hole towards the center of the bracket.
- Drill 1/2" holes into the wallboard at the locations marked for the toggles to be mounted (not the stud markings).
- Drill 3/16" holes into wooden studs where marked. If steel stud construction, drill 1/2" holes into the studs where marked. You will use 2 toggles with the metal studs.



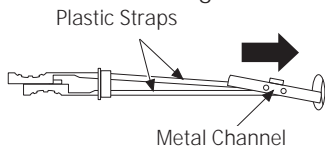
STEP 2A INSTALL ANTI-TIP BRACKET (cont.)

ALL REFRIGERATOR, ALL FREEZER "X" MODELS ONLY

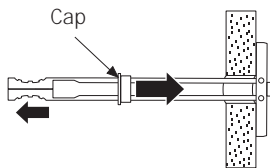
Install Wall Toggles:

The wall toggles and bolts can be ordered as Service Kit #WR49X10193. Wall toggles are installed in the drywall and metal studs for stability. Install the wall toggles as follows:

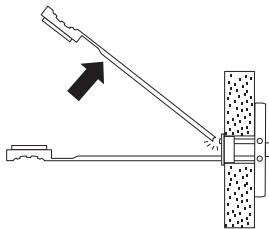
- Drill 1/2" holes at the wall markings made in the holes at the ends of the wall bracket.
- Hold the metal channel flat against the plastic straps and slide the channel through the hole.



- Gently pull back at the ends of the plastic straps to make the channel rest flush behind the wall.
- Hold the ends of the straps in one hand and slide the plastic cap along the straps until the flange of the cap is flush with the wall.

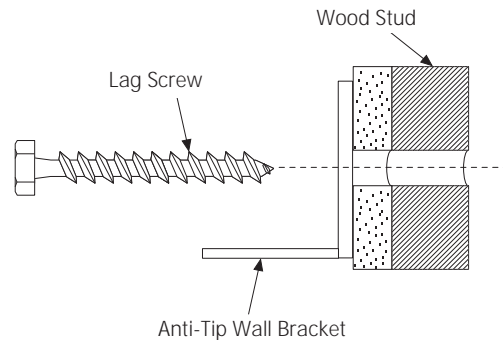


- Place your thumb between the plastic straps and bend up and down to snap the straps off at the wall.

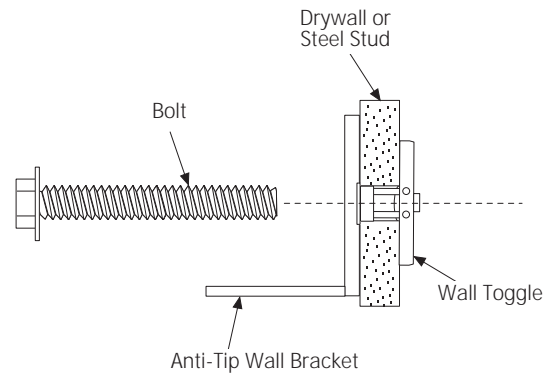


Install Screws and Bolts:

- Have someone hold the wall bracket centered in place with each of the holes aligned with the correct opening in the bracket and level with the horizontal line.
- Insert the lag screws through the bracket and into the stud. Tighten with a wrench.



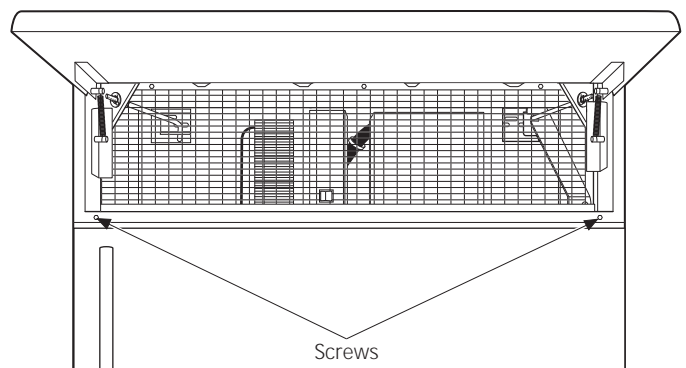
- Insert the bolts into the toggle by hand until snug. Tighten with a wrench.



Remove Grilles for Access to Power Cord and Anti-tip Locking Hooks

Fresh Food Unit

- Open the access door.
- Using a 1/4" hex driver, remove the 3 screws at the bottom of the grille.
- Pull the bottom of the grille forward, down and out to remove.



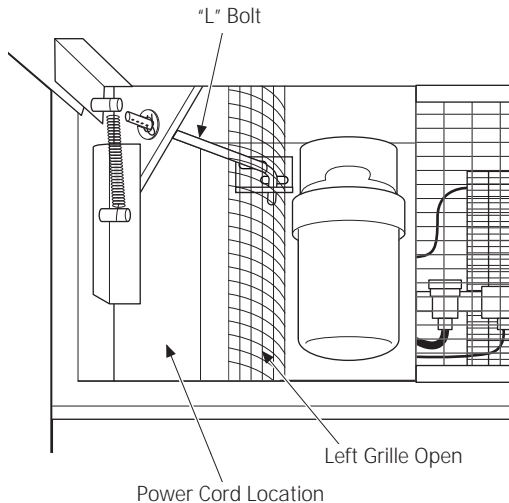
STEP 2A INSTALL ANTI-TIP BRACKET (cont.)

ALL REFRIGERATOR, ALL FREEZER "X" MODELS ONLY

Remove Grilles for Access to Power Cord and Anti-tip Locking Hooks

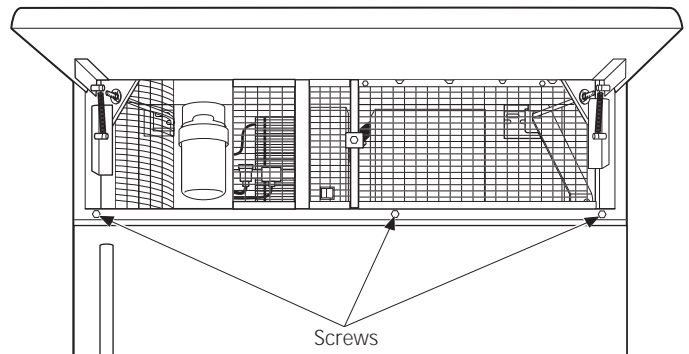
Power Cord

Locate the power cord inside the left cavity. If it has not been adjusted so the plug is easily accessible, do so now.



Freezer Unit

- Open the access door.
- Using a 1/4" hex driver, remove the 2 screws at the bottom of the grille on the right.
- Pull the bottom of the grille forward, down and out to remove.
- Using a 1/4" hex driver, remove the screw on the left side of the grille.
- The grille is aluminum and will bend easily. Gently pull forward on the left side of the grille to open for access. This grille will not be completely removed.

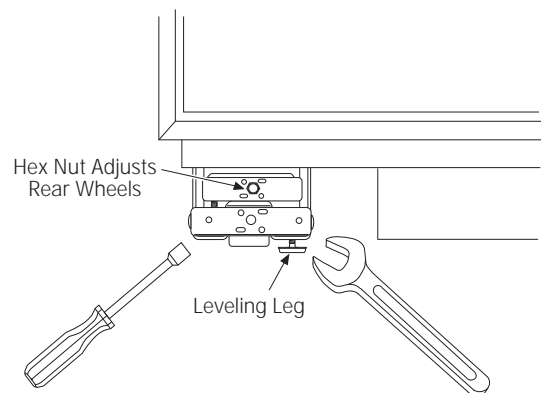


STEP 3 LEVEL REFRIGERATORS

Both products **MUST BE LEVEL AND PLUMB** with each other and with adjacent cabinetry on each side.

- Adjust carefully. Both models have 4-point leveling. The front is supported by leveling legs; the rear is supported by wheels. Both are accessible from the front of the refrigerator.
- For bottom-mount refrigerator models only, turn the 7/16" hex nut located above the front wheels to raise or lower the back of the refrigerator until it just barely touches the 2 x 4 blocks.
- For All Refrigerator/All Freezer models, turn the 7/16" hex nut located above the front wheels to raise or lower the unit to close the gap at the top of the cabinets.
- For front leveling, use a 1-1/4" open-ended wrench to turn the leveling legs.

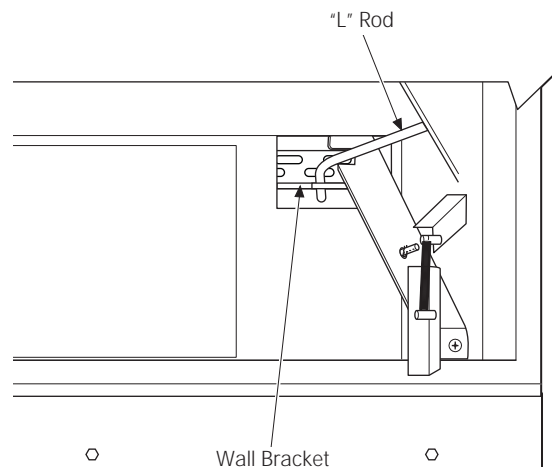
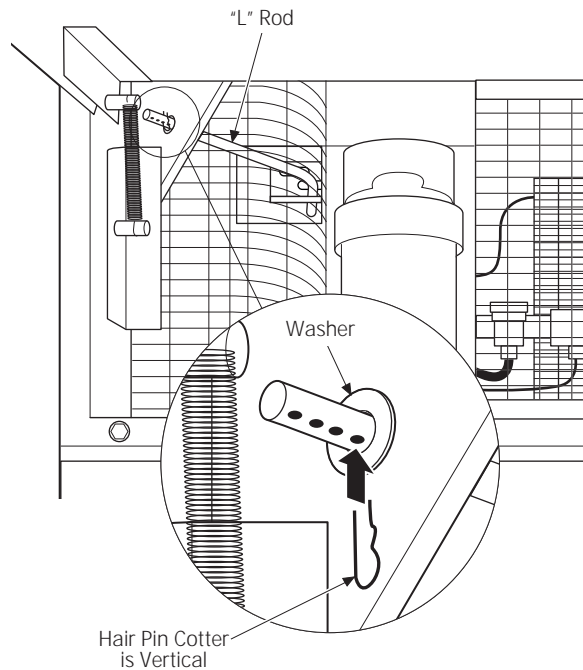
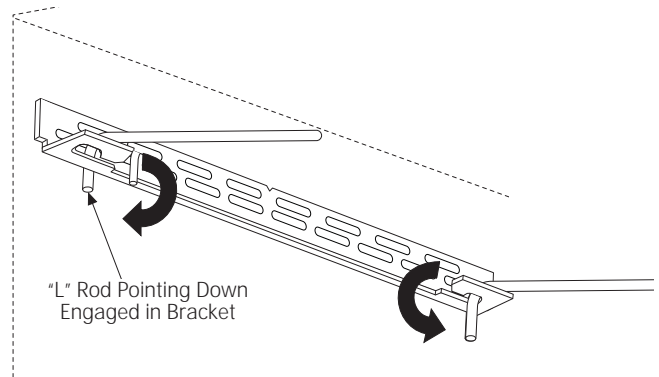
The inside case trims must be aligned without gaps at the top and bottom.



STEP 4 SECURE UNIT TO WALL

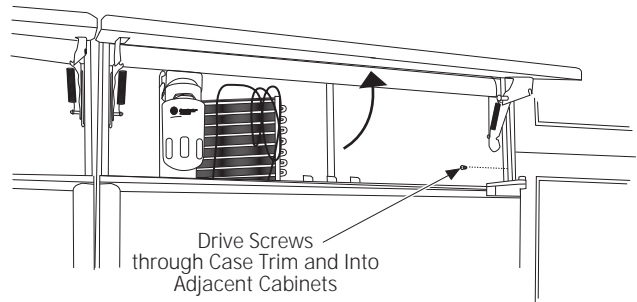
ALL REFRIGERATOR, ALL FREEZER "X" MODELS ONLY

- The "L" rods can be found in the upper left and right corners of the unit in the access compartment. Look through the access compartment to make sure the rods line up with the anti-tip bracket.
- There are 2 washers and a hair pin cotter per rod. Remove the washers and hair pin cotter from the end of the rod.
- Rotate and move the "L" rod into the slot in the anti-tip bracket tab. Once it is in the slot, rotate the "L" rod so the hook portion is pointing down. The holes at the front end of the rod should be in a vertical position. Do this to both sides.
- Pull out on the end of the rod to make sure it is secure in the bracket.
- Locate the hole on the rod that is closest to the unit. A hair pin cotter will be put through this hole to secure the rod. If this hole appears to be too far away for a snug fit against the unit, add the washers one at a time until the pin will fit tightly into the hole.
- Align the straight section of the pin with the hole from the underside of the rod. Push the pin up until it snaps into position. Pliers may be used. **NOTE:** The hair pin cotter must be vertical when this step is completed to ensure the "L" rod is engaged in the bracket.
- Check the rod for tightness by pulling forward. If the rod moves, remove the hair pin cotter and place another washer on the rod. Reinsert the pin.
- Bend the left grille back into place (freezer only) and replace the screws.
- Replace the flat grille panel by sliding it under the flange at the top of the access compartment and pushing the grille back into place. Replace screws.



STEP 5 SECURE SIDE TRIM TO CABINETRY

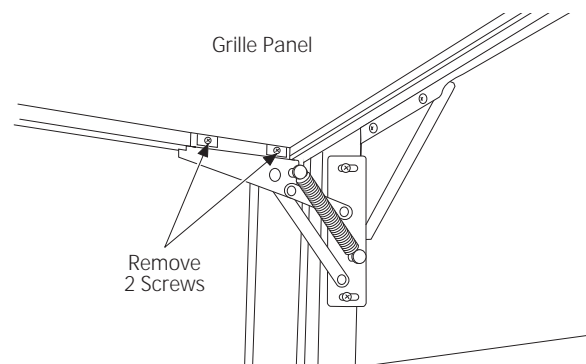
- Whenever possible, perform this additional step.
- Raise the grille panels to access cabinet side trims.
- Drill hole in trim and drive screw through the trim and into each adjacent cabinet.



STEP 6 REMOVE BOTH GRILLE PANEL FRAMES

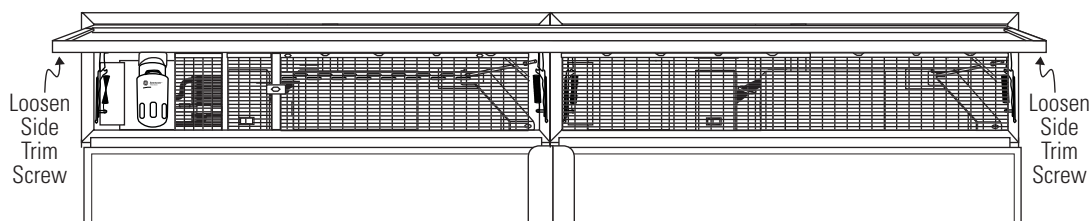
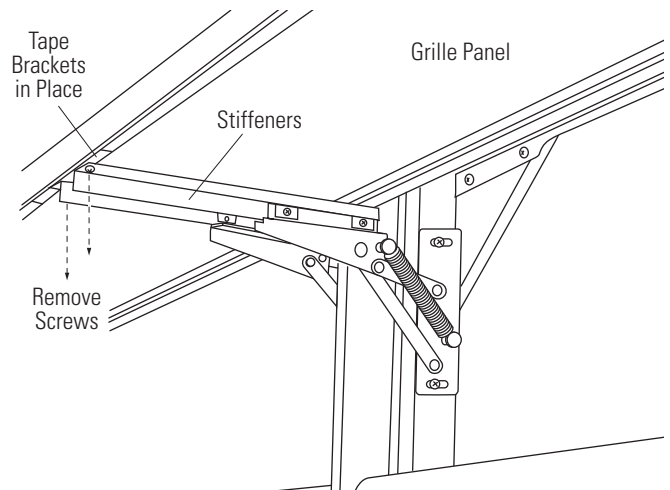
- Grasp grille panel at the center, lift up to stop position.
- Remove 2 screws holding the grille panel frame to the hinge on each side. Lift grille panel off the hinges. Discard both panels and screws.

Leave hinges in open position. Do not push hinges back.



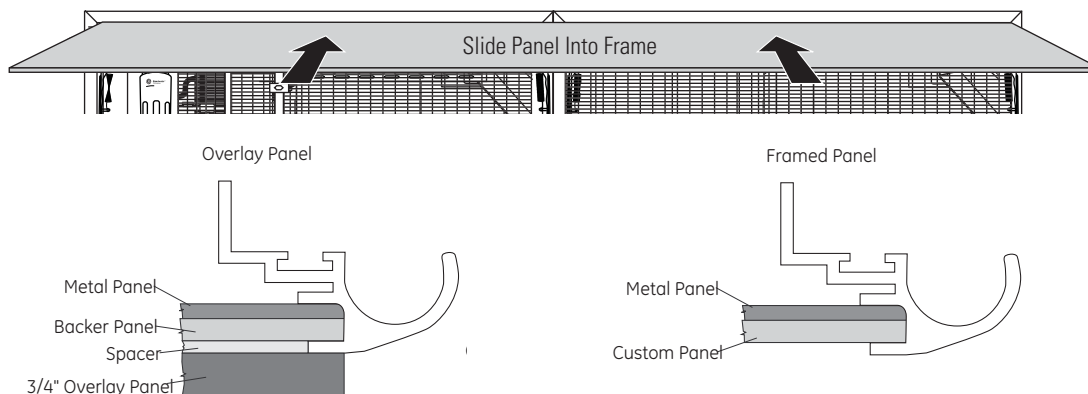
STEP 7 INSTALL UNIFIED PANEL FRAME

- Remove screws holding stiffeners to the small brackets on the unified frame. Retain screws; use tape to hold small brackets in place.
- Place the unified grille panel frame over the hinges on the left and right ends, matching screw hole locations. Secure with 2 screws on each end.



- Loosen screws on each side of the trim behind the frame. Remove bottom trim.

STEP 8 INSERT CUSTOM PANELS



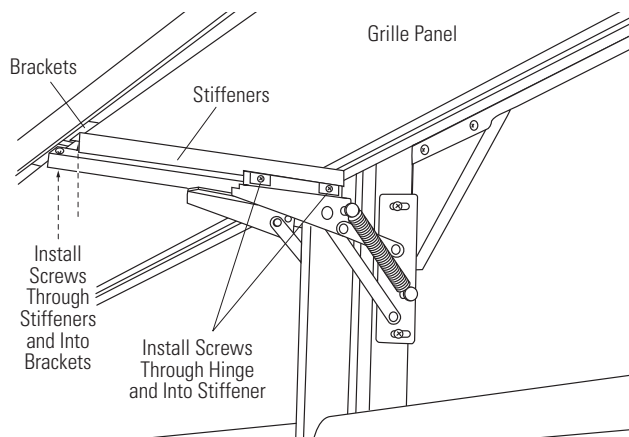
- Slide framed or overlay panel over the metal backer panel and into the trim. If necessary, tap with a wood block until panel slips under the top trim piece.

- Reassemble bottom trim. Tighten screws.

STEP 9 SECURE PANEL TO CENTER HINGES

- Slide middle stiffeners to meet the center hinges.
- Install supplied black screws into hinge and through stiffeners.
- Install original screws through the stiffener and into the small brackets in the bottom trim.
- Grasp grille panel at the center, pull down to close.

NOTE: Check alignment of grille panel to top of doors. To adjust, loosen bracket to hinge screws on all 4 hinges. Adjust and tighten screws.



NOTE: While performing installations described in this book, safety glasses or goggles should be worn.

NOTE: Product improvement is a continuing endeavor at General Electric. Therefore, materials, appearance and specifications are subject to change without notice.

NOTA: Mientras efectúa las instalaciones descritas en este libro, deben utilizarse gafas o lentes de seguridad.

NOTA: La mejora de los productos es un esfuerzo continuo para General Electric. Por lo tanto, los materiales, la apariencia y las especificaciones pueden sufrir cambios sin previo aviso.

31-46525-1
224D1899P010

02-15 GE



GE
Appliances
Appliance Park
Louisville, KY 40225
GEAppliances.com