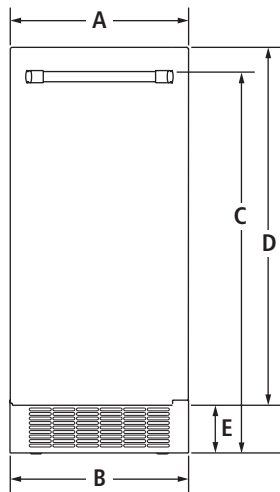


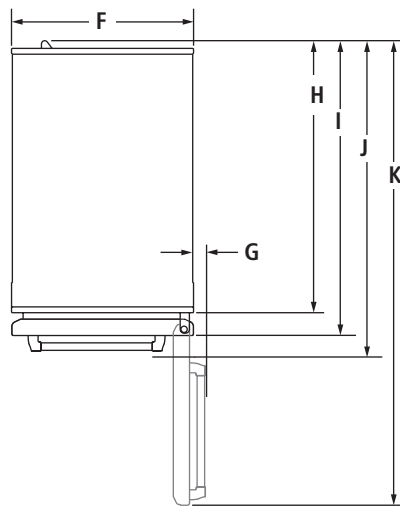
15" ICE MACHINES WITH RISE™ OR NOIR™ PANEL KIT

JKRPL151HL/ JKRPR151HL/ JKRPL151HM/ JKRPR151HM – 14⁷/₈" x 33¹³/₁₆" x 24" (depth without handle)

PRODUCT DIMENSIONS



FRONT VIEW



TOP VIEW

MODEL #		JUIFX15H WITH JKRPL151HL, JKRPR151HL, JKRPL151HM OR JKRPR151HM PANEL KIT	
		in	cm
A	Width	14 ⁷ / ₈	37.9
B	Width of grille	14 ⁷ / ₈	37.8
C	Height to top of handle RISE™ handle	31 ¹ / ₂	80.1
	NOIR™ handle	31 ¹⁵ / ₁₆	80.2
D	Height of door	30 ¹ / ₈	76.5
E	Height of grille	3 ¹⁵ / ₁₆	10.1
F	Width of recessed ice machine	14 ¹⁵ / ₁₆	37.9
G	Width from side of ice machine to handle – door open 90° RISE™ handle	2 ¹⁵ / ₁₆	7.4
	NOIR™ handle	2 ¹ / ₄	5.7
H	Depth without door	21 ⁹ / ₁₆	54.7
I	Depth with door	23 ¹¹ / ₁₆	60.2
J	Depth with handle RISE™ handle	26 ⁷ / ₁₆	67.2
	NOIR™ handle	25 ¹³ / ₁₆	65.5
K	Depth with door open 90°	39	99.2

IMPORTANT: Dimensional specifications are provided for planning purposes only. Do not make any cutouts based on this information. Refer to the Installation or Use & Care Guide before selecting cabinetry, verifying electrical/gas connections, making cutouts or beginning installation. All JennAir® appliances are appropriately UL, CUL or CSA approved.



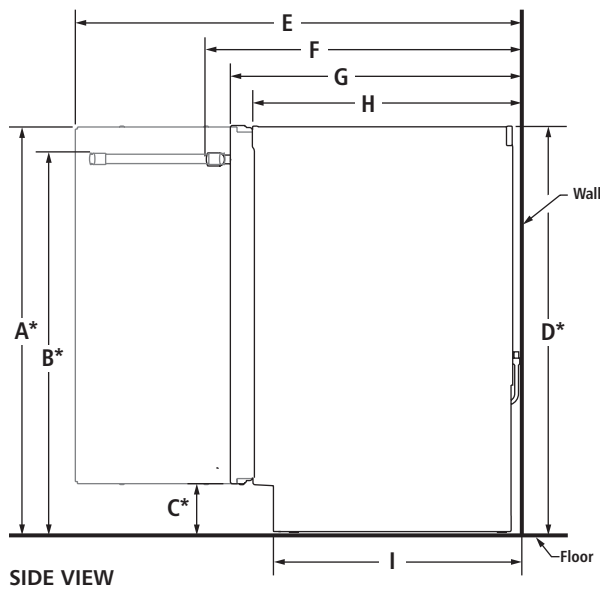
15" ICE MACHINES WITH RISE™ OR NOIR™ PANEL KIT

JKRPL151HL/ JKRPR151HL/ JKRPL151HM/ JKRPR151HM – 14⁷/₈" x 33¹³/₁₆" x 24" (depth without handle)

DIMENSIONS AS INSTALLED

MODEL #		JUIFX15H WITH JKRPL151HL, JKRPR151HL, JKRPL151HM OR JKRPR151HM PANEL KIT	
		in	cm
A*	Height to top of door (min.)	34 ¹ / ₆	86.6
B*	Height to top of handle (min.)		
	RISE™ handle	31 ¹ / ₂	80.1
	NOIR™ handle	31 ⁹ / ₁₆	80.2
C*	Height to top of grille (min.)	3 ¹ / ₁₆	9.4
D*	Height of recessed ice machine (min.)	33 ⁵ / ₈	85.4
E	Depth with door open 90° (min.)	39	99.2
F	Depth with handle (min.)		
	RISE™ handle	26 ⁷ / ₁₆	67.2
	NOIR™ handle	25 ¹³ / ₁₆	65.5
G	Depth with door (min.)	23 ¹¹ / ₁₆	60.2
H	Depth without door (min.)	21 ¹ / ₂	54.7
I	Depth of grille (min.)	19 ⁷ / ₈	50.4

*Add 1" (2.5 cm) to the height dimension when leveling legs are fully extended.



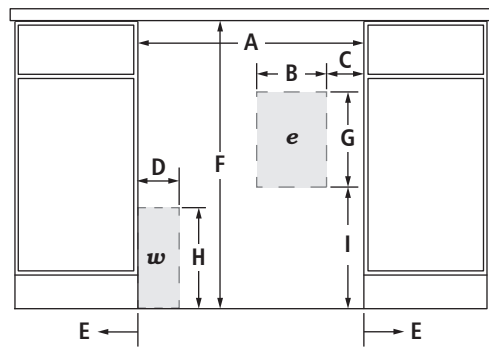
IMPORTANT: Dimensional specifications are provided for planning purposes only. Do not make any cutouts based on this information. Refer to the Installation or Use & Care Guide before selecting cabinetry, verifying electrical/gas connections, making cutouts or beginning installation. All JennAir® appliances are appropriately UL, CUL or CSA approved.



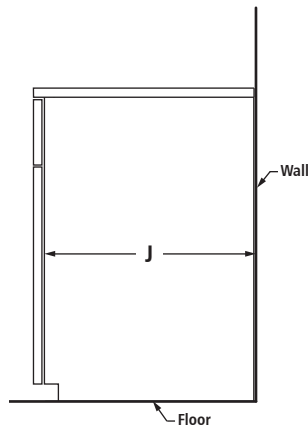
15" ICE MACHINES WITH RISE™ OR NOIR™ PANEL KIT

JKRPL151HL/ JKRPR151HL/ JKRPL151HM/ JKRPR151HM – 14⁷/₈" x 33¹³/₁₆" x 24" (depth without handle)

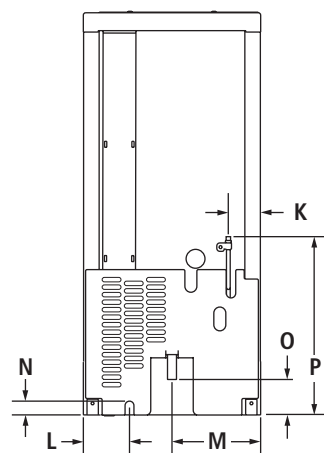
OPENING/CLEARANCE DIMENSIONS



FRONT VIEW



SIDE VIEW



BACK VIEW

MODEL #	JUIFX15H WITH JKRPL-151HL, JKRPR151HL, JKRPL151HM OR JKRPR151HM PANEL KIT	
	in	cm
A	Width (min.)	15 38.1
	Width without hinge side spacer option (min.)	15 38.1
	Width with hinge side spacer option (min.)	15 ³ / ₄ * 40.0*
B	Width of outlet location	6 15.0
C	Outlet location – distance from side	1 2.5
D	Width of water connection location	3 ¹ / ₂ 8.9
E	Minimum width from hinged side of ice machine to fixed wall – door open 90°	2 5.1
	Minimum width from hinged side of ice machine to fixed wall – door fully open 180°	13 ¹ / ₄ 33.7
	Minimum width from hinged side of ice machine to fixed wall – door fully open 118°	6 ⁷ / ₈ 17.4
F	Height (min.)	34 86.4
G	Height of outlet location	8 20.3
H	Height of water connection location	9 22.9
I	Outlet location – distance from bottom	12 30.5
J	Depth of cabinet (min.)	24 61.0
K	Water line location – distance from side	2 ⁵ / ₈ 6.7
L	Power supply – distance from side	3 ⁷ / ₈ 9.8
M	Drain hose – distance from side	7 ³ / ₈ 18.8
N	Power supply – distance from bottom	1 ¹ / ₄ 3.2
O	Drain hose – distance from bottom	2 ⁷ / ₈ 7.3
P	Water line location – distance from bottom	14 ¹ / ₂ 36.9
e	Recommended electrical connection location	
w	Recommended water connection location	

*Install ³/₄" (1.9 cm) front hinge-side spacer flush with face of adjacent cabinet and ³/₄" (1.9 cm) back hinge-side spacer 6" (15.2 cm) from back wall.

ELECTRICAL REQUIREMENTS

115 volt, 60 Hz, AC only, 15- or 20-amp fused, grounded circuit is required. A dedicated circuit is recommended. Use an outlet that cannot be turned off by a switch. Do not use an extension cord.

WATER PRESSURE REQUIREMENTS

A cold water supply with water pressure between 30 and 120 psi (207 and 827 kPa) is required to operate the ice maker. Call a licensed, qualified plumber with any questions about the water pressure.

Reverse Osmosis Water Supply

IMPORTANT: The use of a reverse osmosis system with this product is not recommended. However if you do use reverse osmosis, follow these instructions.

IMPORTANT: The pressure of the water coming out of a reverse osmosis system going to the water inlet valve of the ice machine needs to be between 30 and 120 psi (207 and 827 kPa). If a reverse osmosis water filtration system is connected to the cold water supply, the water pressure to the reverse osmosis system needs to be a minimum of 40 to 60 psi (276 to 414 kPa).

IMPORTANT: Dimensional specifications are provided for planning purposes only.

Do not make any cutouts based on this information. Refer to the Installation or Use & Care Guide before selecting cabinetry, verifying electrical/gas connections, making cutouts or beginning installation. All JennAir® appliances are appropriately UL, CUL or CSA approved.

