

# FISHER & PAYKEL

## COMPANION PRODUCTS

---

Warming Drawer WB24

Coffee Maker EB24

Steam Oven OS24N

models

INSTALLATION GUIDE

US CA

591496A 11.17

# CONTENTS

<b>Warming drawer</b>	<b>1</b>	<b>Coffee maker</b>	<b>13</b>	<b>Steam oven</b>	<b>21</b>
1 Safety and warnings	2	1 Safety and warnings	14	1 Safety and warnings	22
2 Parts supplied	3	2 Parts supplied	15	2 Prior to installation	23
3 Prior to installation	3	3 Prior to installation	15	3 After installation	23
4 Product dimensions	4	4 After installation	15	4 Product dimensions	24
5A Cabinetry dimensions – underbench (ie installed with F&P single oven)	5	5 Product dimensions	16	5A Cabinetry dimensions (18 1/8” (460mm) high cavity)	25
5B Cabinetry dimensions – wall mounted (ie installed with a F&P compact oven)	6	6A Cabinetry dimensions (18 1/8” (460mm) high cavity)	17	5B Cabinetry dimensions (18 7/8” (480mm) cavity trim kit)	26
5C Cabinetry dimensions – wall mounted (ie installed with a F&P coffee maker)	7	6B Cabinetry dimensions (18 7/8” (480mm) cavity trim kit)	18	6 Electrical hook-up	27
5 Cabinetry dimensions – wall mounted (standalone)	8	7 Installation instructions	19	7 Secure the oven to the cabinetry	27
6 Discard packaging responsibly	9	8 Final checklist	20	8 Final checklist	28
7 Mark and pre-drill the holes for securing the warming drawer	9				
8 Connect the warming drawer to the mains supply	9				
9 Secure the warming drawer to the cabinetry	10				
10 Secure the anti-tip bracket (optional depending on cabinetry configuration)	10				
11 Final checklist	11				

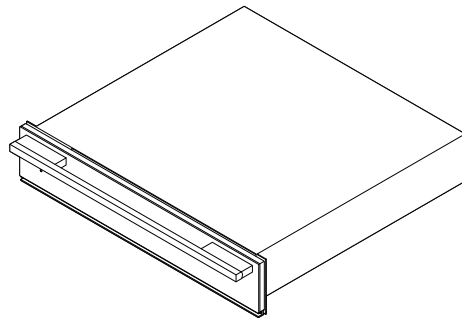
## **IMPORTANT!** **SAVE THESE INSTRUCTIONS**

The models shown in this user guide may not be available in all markets and are subject to change at any time. For current details about model and specification availability in your country, please go to our website [fisherpaykel.com](http://fisherpaykel.com) or contact your local Fisher & Paykel dealer.

# WARMING DRAWER

---

WB24 models



**⚠ WARNING!**



**Electrical Shock Hazard**

Before carrying out any work on the electrical section of the appliance, it must be disconnected from the mains electricity supply. Connection to a good earth wiring system is absolutely essential and mandatory. Alterations to the domestic wiring system must only be made by a qualified electrician. Failure to follow this advice may result in electrical shock or death.

**⚠ WARNING!**



**Fire Hazard**

Do not use adapters, reducers, or branching devices to connect this appliance to the mains power supply. Failure to follow this advice may result in overheating, burning, or fire.

**⚠ WARNING!**



**Cut Hazard**

Take care – some edges are sharp. Failure to use caution could result in injury or cuts.

## IMPORTANT SAFETY INSTRUCTIONS!

To reduce the risk of fire, electrical shock, injury to person, or damage when using the warming drawer, please read these instructions carefully before installing this product.

- Please make this information available to the person installing the product – doing so may reduce your installation costs.
- Installation work, maintenance and repairs may only be carried out by suitably qualified and competent persons in accordance with national and local safety regulations.
- Always disconnect the power supply prior to carrying out any installation, maintenance or repair work.
- Before installation make sure that the voltage and frequency listed on the data plate corresponds with the household electrical supply.
- The electrical outlet should be easily accessible after installation.
- When a companion product is installed in combination with the warming drawer to the same circuit, operating both products may cause an overload. If in doubt consult a qualified electrician.
- When installed in combination with a companion product the companion product may be placed directly onto the warming drawer. It is not necessary to place a shelf between the products. A built-in shelf at the base of the cabinetry able to support the weight of both products is required.
- If installing the warming drawer directly underneath an oven, ensure you do not damage the oven's lower trim. The lower trim ensures correct air circulation to the oven and allows the door to open and close without obstruction. Fisher & Paykel does not accept any responsibility for any damage resulting from incorrect installation.
- The maximum weight the warming drawer is able to support is 132lb (60kg).
- The warming drawer is not designed for use in mobile installations such as recreational vehicles, boats or aircraft.
- When installing companion products the weight of the companion product should be distributed across the edges of the warming drawer. Products above which rest on 'feet' may only be installed if the feet of the product lie within 2 3/4" (70mm) of the sides of the warming drawer, as this area is reinforced. Failure to do this may result in damage to the warming drawer and companion product.
- Before installing the warming drawer you must inspect it for any signs of damage. Under no circumstances should you install or use the warming drawer if it has been damaged.
- If the power supply cord is damaged, it must be replaced by the manufacturer, its service agent or a similarly qualified tradesperson in order to avoid a hazard.
- Connect the warming drawer to a properly rated, protected and sized power supply circuit to avoid electrical overload.
- Do not use an extension cord or a portable electrical outlet device (eg multi-socket outlet box) to connect the Warming Drawer to the power supply. Make sure the power supply cord is located so that it will not be stepped on, tripped over or otherwise subject to damage or stress.
- Ensure the connection to power supply is accessible after installation.

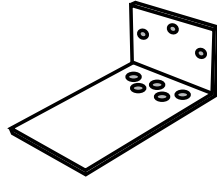
### IMPORTANT! SAVE THESE INSTRUCTIONS

The models shown in this installation guide may not be available in all markets and are subject to change at any time. For current details about model and specification availability in your country, please go to our website [fisherpaykel.com](http://fisherpaykel.com) or contact your local Fisher & Paykel dealer.

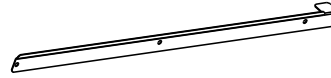
## ② PARTS SUPPLIED



Screws (4)



Anti-tip bracket (1)



Oven support brackets (2)

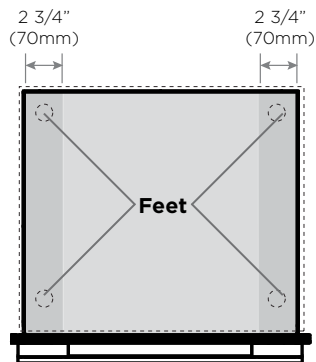
## ③ PRIOR TO INSTALLATION

- The cavity is square and level, and of the required dimensions.
- The installation will comply with all clearance requirements and applicable standards and regulations.
- The power switch will be easily accessible to the customer when the warming drawer is installed.
- The warming drawer (and any product on top of it) will rest on a surface that can support its weight.
- The height from the floor suits the customer.
- You consult local building authorities and by-laws if in doubt regarding installation.

### If installing with a companion product

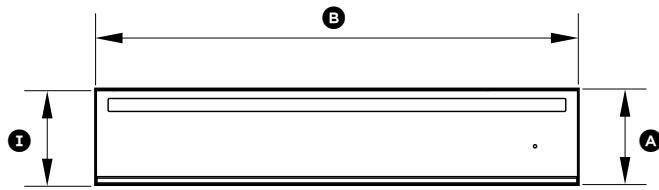
#### **IMPORTANT!**

- If installing with a companion product please refer to the installation instructions of that product to ensure the installation requirements of BOTH products are met.
- When installing products on top of the warming drawer, the weight of the product should be distributed across the edges of the warming drawer.
- Products above which rest on 'feet' may only be installed if the feet of the product lie within 2 3/4" (70mm) of the sides of the warming drawer, as this area is reinforced. Failure to do this may result in damage to the warming drawer and companion product.

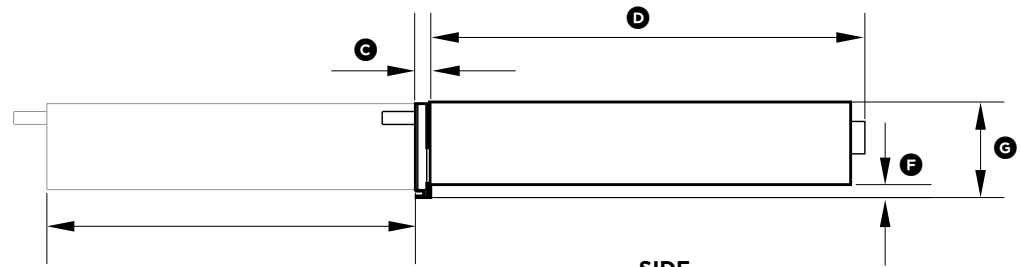


**Warming Drawer can withstand  
a maximum weight of 132lb (60kg)**

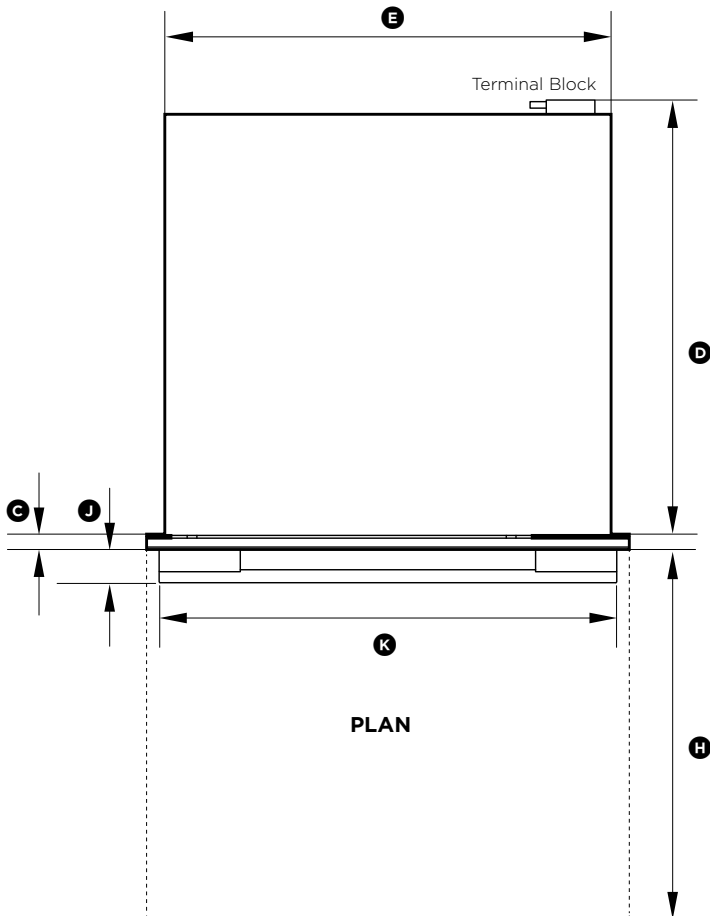
## ④ PRODUCT DIMENSIONS



FRONT



SIDE

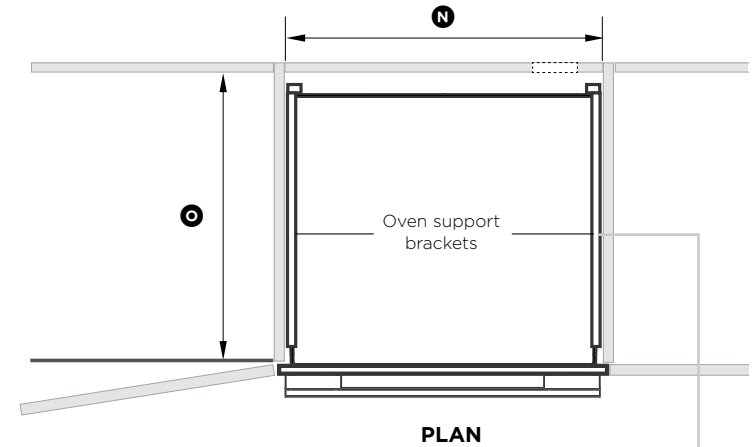
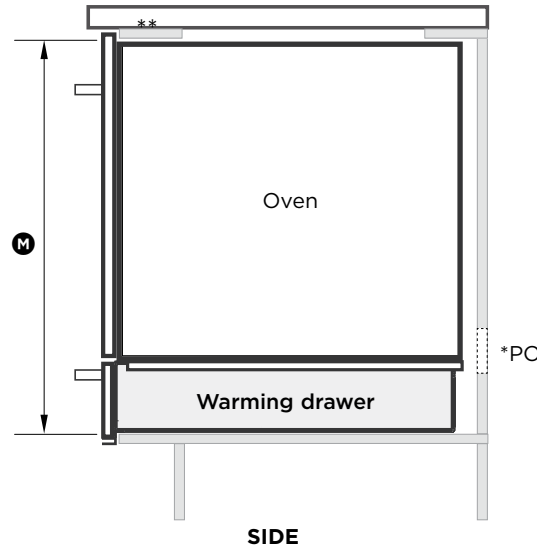
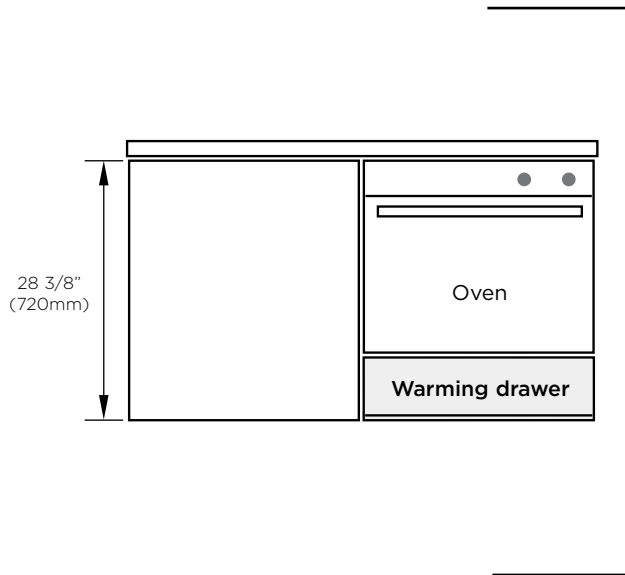


PLAN

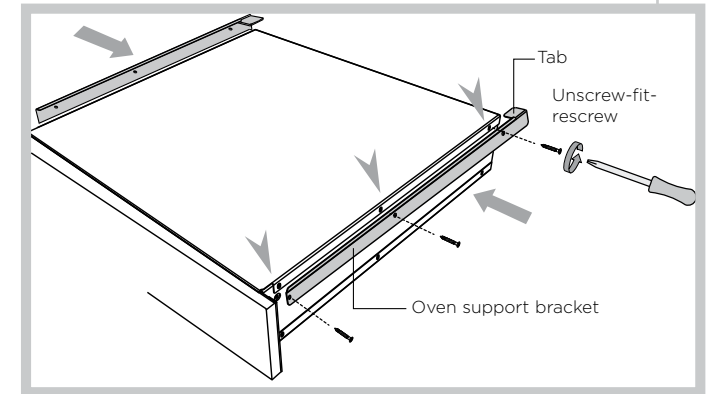
PRODUCT DIMENSIONS	WB24SDEB	WB24SDEX
	inches (mm)	inches (mm)
(A) Overall height of product	4 5/8" (118)	4 5/8" (118)
(B) Overall width of product	23 1/2" (596)	23 1/2" (596)
(C) Depth of drawer front panel (excluding handle)*	13/16" (20)	7/8" (22)
(D) Depth of chassis (including terminal block)	21 1/8" (536)	21 1/8" (536)
(E) Width of chassis at rear	21 3/4" (551)	21 3/4" (551)
(F) Height from bottom drawer panel to bottom of chassis at rear	5/8" (16)	5/8" (16)
(G) Height from bottom of drawer panel to top of chassis	4 5/8" (118)	4 5/8" (118)
(H) Depth of drawer (open) (measured from front of drawer)	17 7/8" (455)	17 7/8" (455)
(I) Height of drawer front panel	4 5/8" (116)	4 5/8" (116)
(J) Depth of handle measured from front of drawer	1 5/8" (41)	1 5/8" (41)
(K) Width of handle	22 1/4" (565)	22 1/4" (565)

## THE FOLLOWING PAGES DETAIL COMMON CABINETRY SCENARIOS

### 5 A CABINETRY DIMENSIONS - UNDERBENCH (ie INSTALLED WITH F&P SINGLE OVEN)



Fit the supplied oven support brackets



#### IMPORTANT!

If installing under an oven, you must first fit the two supplied Oven support brackets to the sides of the Warming Drawer. The brackets help support the rear of the oven. Unscrew the 3 top screws on each side, fit the brackets with the tabs facing inwards as shown and screw back in.

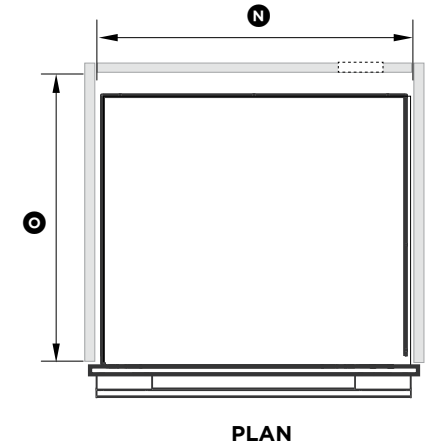
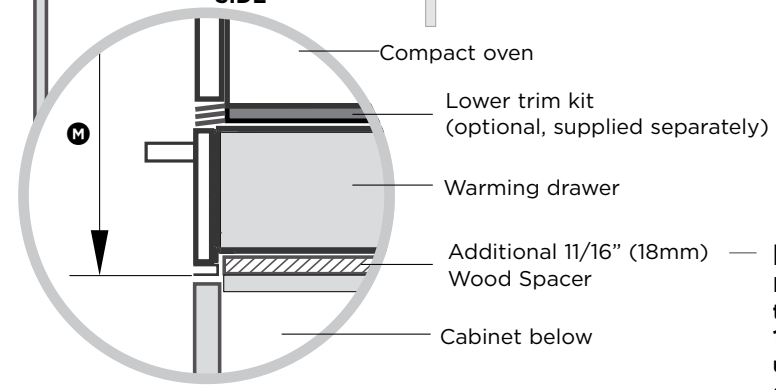
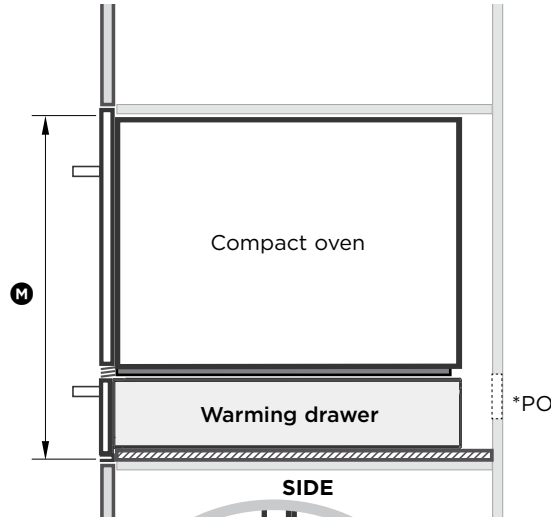
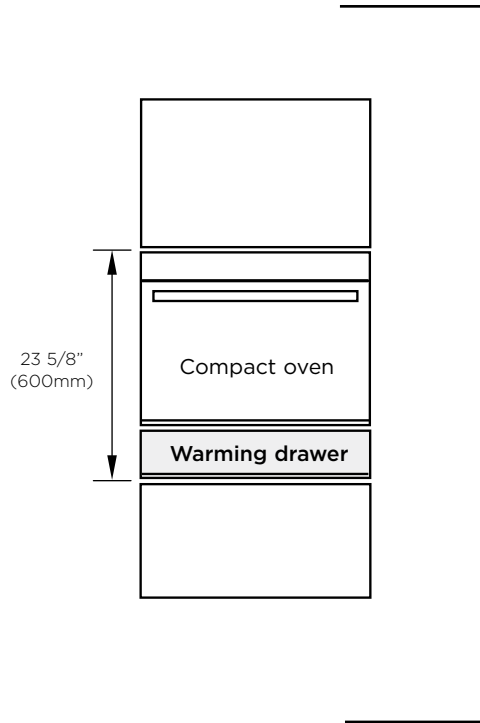
**Note: The screws may not be identical. Replace each screw into its original hole position.**

#### CABINETRY DIMENSIONS

	inches (mm)
Ⓜ Minimum inside height of cavity	27" (687)
Ⓝ Inside width of cavity	22" (560)
Ⓞ Minimum inside depth of cavity	22 1/4" (565)

Note: When installed in combination with a companion product the companion product may be placed directly onto the warming drawer. It is not necessary to place a shelf between the products. A built-in shelf at the base of the cabinetry able to support the weight of both products is required.

\* PO - POWER OUTLET. Ensure there is an accessible earthed power outlet within 35 7/16" (900mm) of the centre rear of the product.



**IMPORTANT!**  
In a wall mounted installation, there needs to be an 1 1/16" (18mm) Spacer fixed underneath the warming drawer first to raise it to the required height.

CABINETRY DIMENSIONS	inches (mm)
Ⓜ Minimum inside height of cavity with optional Lower trim kit fitted without optional Lower trim kit fitted	23 1/4" (590) 22 1/2" (570)
Ⓝ Inside width of cavity	22" (560)
Ⓞ Minimum inside depth of cavity	22 1/4" (565)

Note: When installed in combination with a companion product the companion product may be placed directly onto the warming drawer. It is not necessary to place a shelf between the products. A built-in shelf at the base of the cabinetry able to support the weight of both products is required.

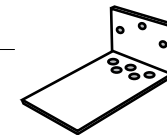
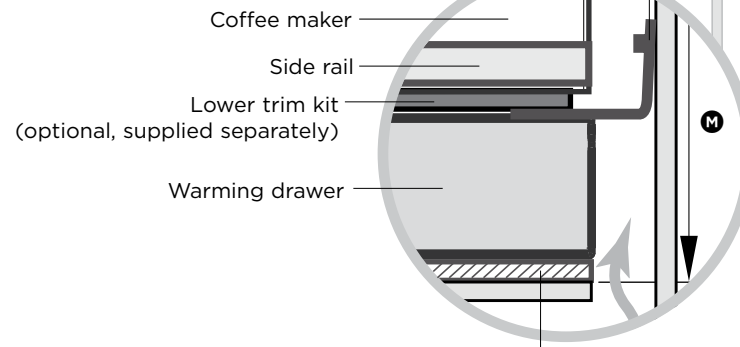
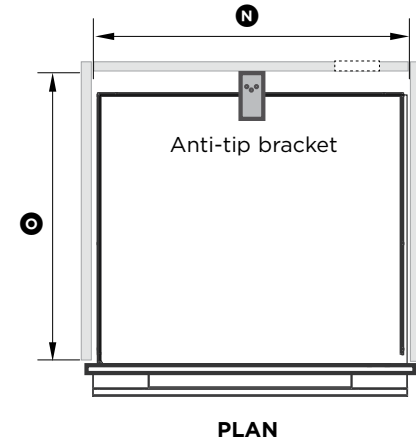
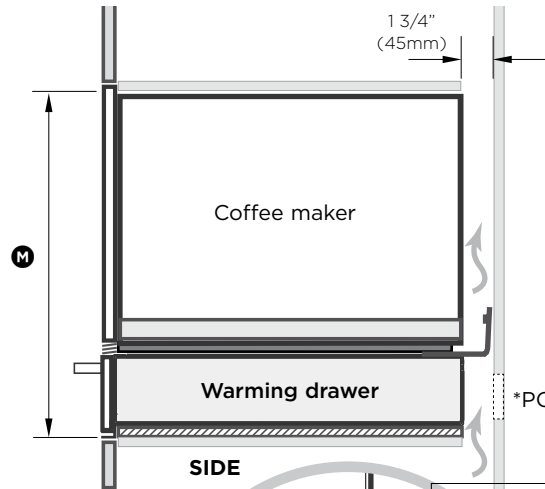
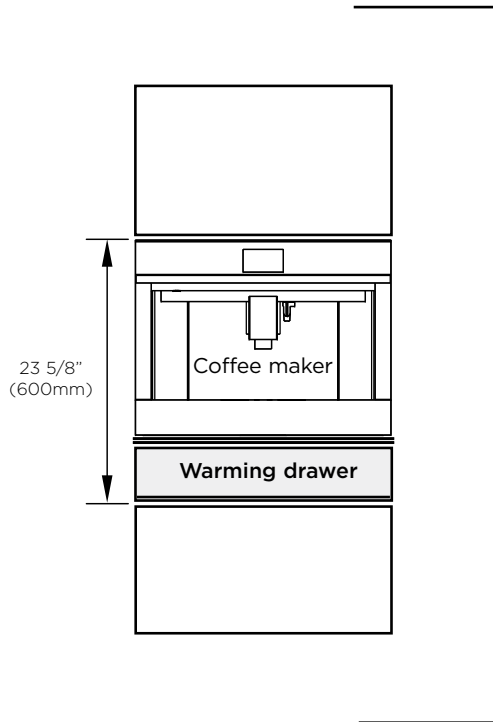
\* PO - POWER OUTLET. Ensure there is an accessible earthed power outlet within 35 7/16" (900mm) of the centre rear of the product.



5 C CABINERY DIMENSIONS - WALL MOUNTED (ie INSTALLED WITH A F&P COFFEE MAKER)

**IMPORTANT!**

If installing under the F&P Coffee Maker, ensure there is the 2" (50mm) gap at the back of the cabinet and the 7 7/8" (200mm) toekick cutout required for airflow. Refer to the Coffee Maker Install instructions.



Supplied anti-tip bracket (screwed to the back wall)

**IMPORTANT!**

When installing under an F&P Coffee maker you must ensure the supplied anti-tip bracket is installed, unless there is a fixed shelf above the drawer acting as an anti-tip obstacle.

Additional 11/16" (18mm) Wood spacer

**IMPORTANT!**

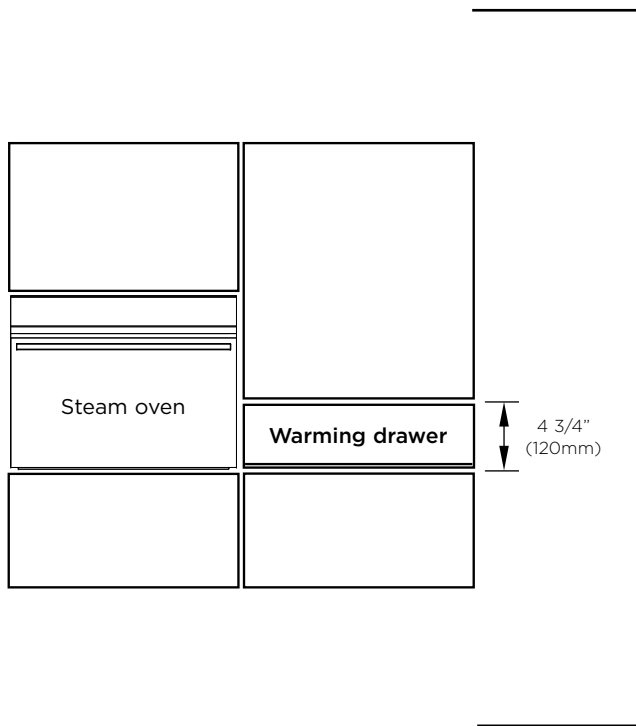
In a wall mounted installation, there needs to be an 11/16" (18mm) Spacer fixed underneath the warming drawer first to raise it to the required height.

**CABINERY DIMENSIONS**

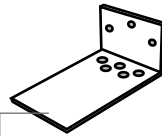
	inches (mm)
(M) Minimum inside height of cavity with optional Lower trim kit fitted	23 1/4" (590)
without optional Lower trim kit fitted	22 1/2" (570)
(N) Inside width of cavity	22" (560)
(O) Minimum inside depth of cavity	22 1/4" (565)

Note: When installed in combination with a companion product the companion product may be placed directly onto the warming drawer. It is not necessary to place a shelf between the products. A built-in shelf at the base of the cabinetry able to support the weight of both products is required.

\* PO - POWER OUTLET. Ensure there is an accessible earthed power outlet within 35 7/16" (900mm) of the centre rear of the product.

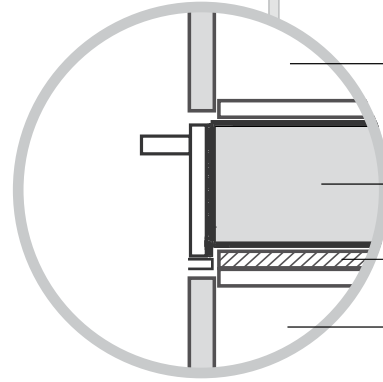
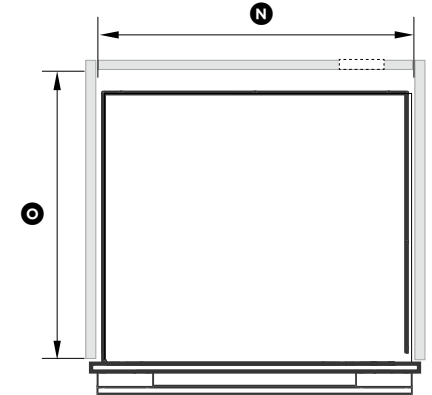
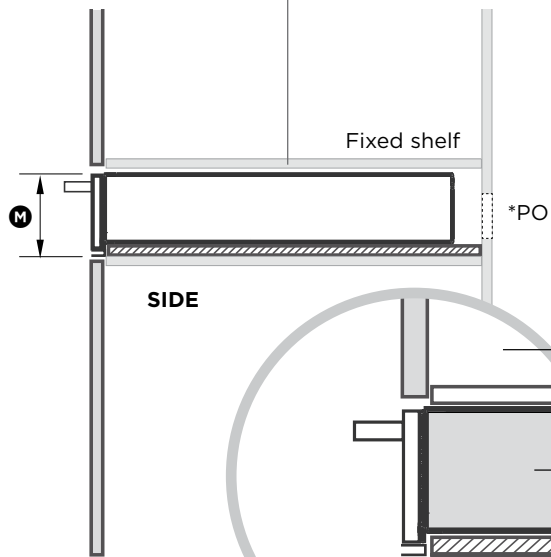


Supplied anti-tip bracket  
(screwed to the back wall)



**IMPORTANT!**

In a standalone wall mounted installation, you must ensure that the supplied anti-tip bracket is installed unless there is a fixed shelf above acting as an anti-tip obstacle.



**IMPORTANT!**

In a wall mounted installation, there needs to be an 11/16" (18mm) Spacer fixed underneath the warming drawer first to raise it to the required height.

CABINERY DIMENSIONS		inches (mm)
M	Inside height of cavity	4 3/4" (120)
N	Inside width of cavity	22" (560)
O	Minimum inside depth of cavity	21 1/2" (545)

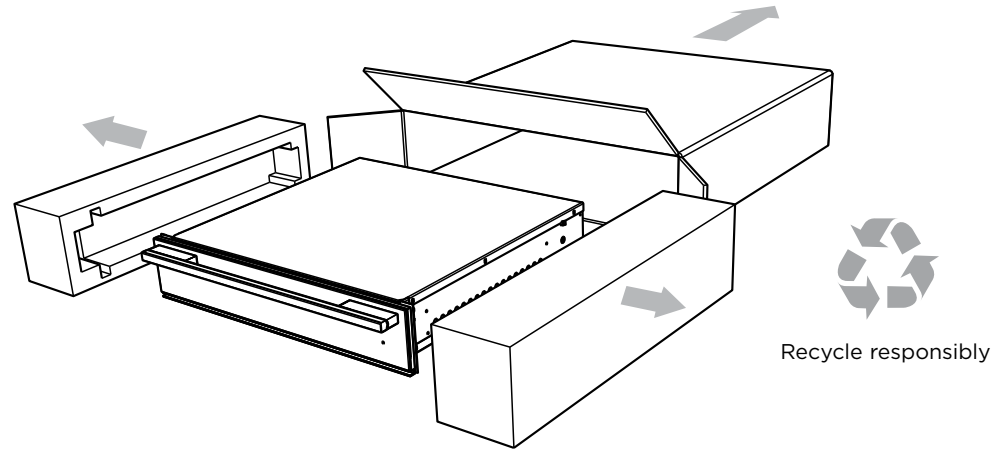
\* PO - POWER OUTLET. Ensure there is an accessible earthed power outlet within 35 7/16" (900mm) of the centre rear of the product.

## ⑥ DISCARD PACKAGING RESPONSIBLY

Unpack the warming drawer and inspect for any signs of damage. Do not install the warming drawer if it has been damaged.

### **IMPORTANT!**

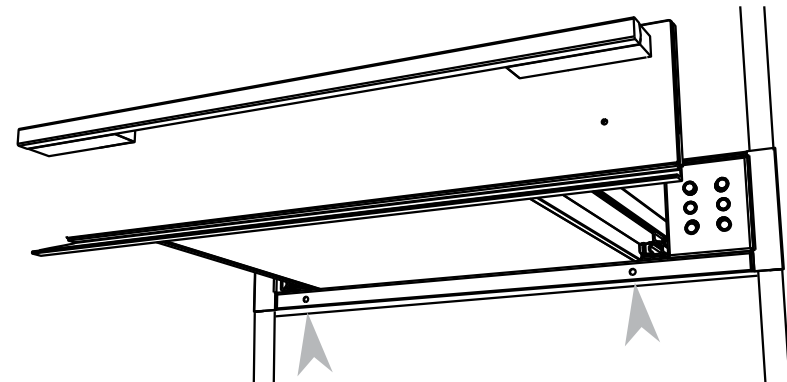
Packing materials (eg plastic bags, polystyrene foam, staples, packing straps etc) and tools should not be left around during and after installation, especially if they are within easy reach of children, as they may cause serious injuries.



## ⑦ MARK AND PRE-DRILL THE HOLES FOR SECURING THE WARMING DRAWER

### **IMPORTANT!**

Do not lift the warming drawer by the drawer handle.



## ⑧ CONNECT THE WARMING DRAWER TO THE MAINS SUPPLY

### **IMPORTANT!**

- All electrical work may only be carried out by suitably qualified and competent persons in accordance with national and local safety regulations.
- This warming drawer must be grounded.

Before placing the warming drawer into the cavity, route the power cord into the back of the cavity and plug it in to the switched socket. The switched socket should be in an easily accessible area within 35 7/16" (900mm) of the centre rear of the product.

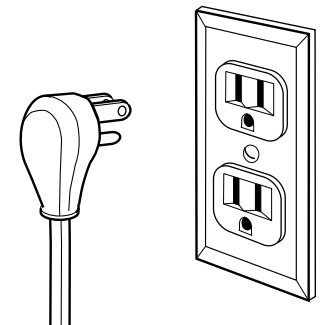
### **Power requirements**

Model code  
**WB24SDEB / WB24SDEX**

Current  
**4A**

Voltage  
**208-240V**

Wattage  
**832-960W**



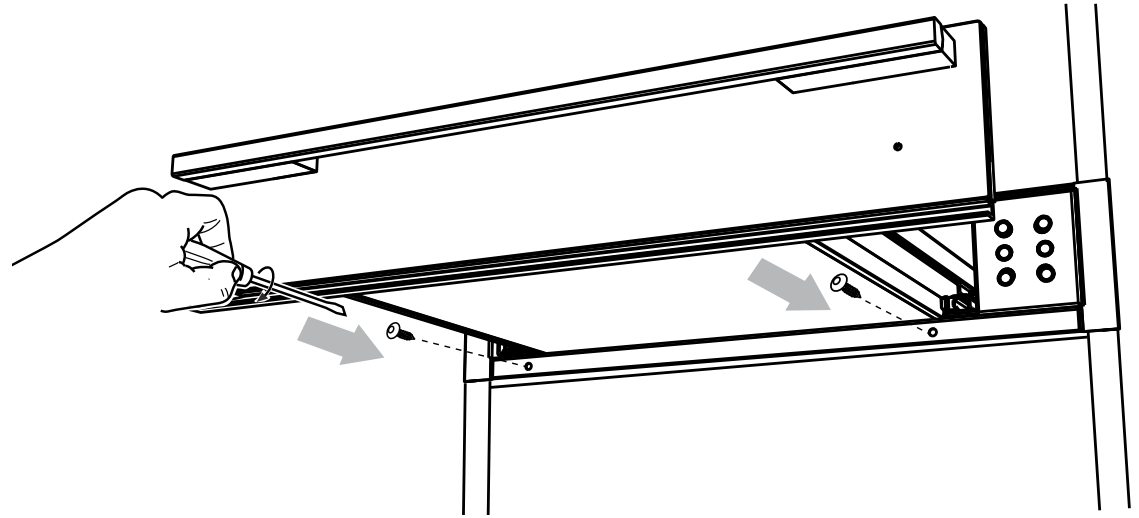
## 9 SECURE THE WARMING DRAWER TO THE CABINETRY

- 1 Ensure the warming drawer is level and positioned in place in the cavity.

### IMPORTANT!

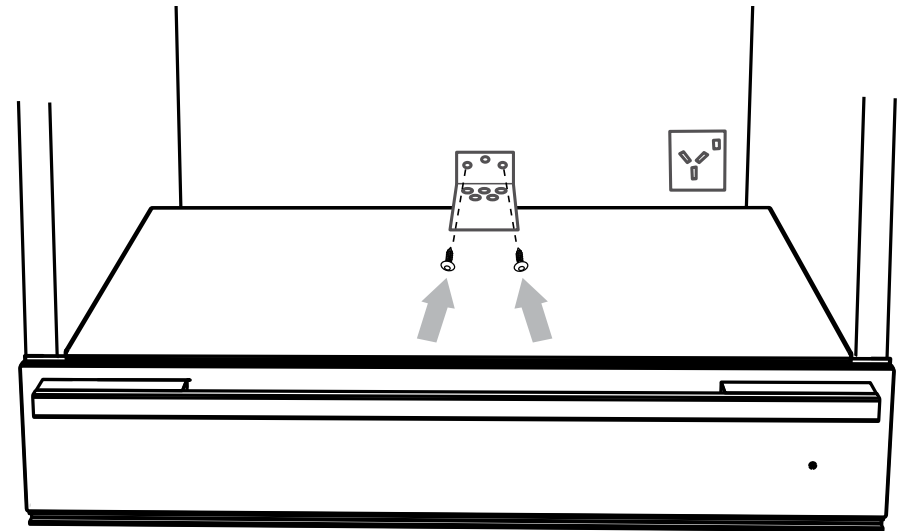
Do not lift the warming drawer by the drawer handle.

- 2 Fully open the drawer.
- 3 Fasten the warming drawer in place with the two screws supplied, through the front trim, beneath the drawer. Do not overtighten the screws.



## 10 SECURE THE ANTI-TIP BRACKET (OPTIONAL DEPENDING ON CABINETRY CONFIGURATION)

If the anti-tip bracket is required (see example scenarios) first secure the product at the front, then place the bracket centrally at the back of the cavity, sitting it on the top of the chassis. Secure it to the rear cabinet wall using the screws provided.



✓ **TO BE COMPLETED BY THE INSTALLER**

- Make sure the warming drawer is level and securely fitted to the cabinetry.
- Make sure any internal packaging has been removed from the drawer.
- Make sure that the isolating switch is accessible by the customer.
- Make sure the anti-tip bracket has been fitted correctly if it is required.
- If installing an oven directly on top of the warming drawer, make sure the supplied oven support brackets have been fitted to the warming drawer.

**TEST OPERATION:**

- Open the drawer and press the ① button to turn the warming drawer on. The on/off halo and temperature setting 2 ( II ) halo should glow red.

Shut the drawer.

After 5-10 minutes open the drawer. The internal surfaces of the drawer should feel slightly warmed. Press the ① button to turn the warming drawer off and shut the drawer.

Complete and keep for safe reference:

Model \_\_\_\_\_

Serial No. \_\_\_\_\_

Purchase Date \_\_\_\_\_

Purchaser \_\_\_\_\_

Dealer Address \_\_\_\_\_

Installer's Name \_\_\_\_\_

Installer's Signature \_\_\_\_\_

Installation Company \_\_\_\_\_

Installation Date \_\_\_\_\_

**FISHERPAYKEL.COM**

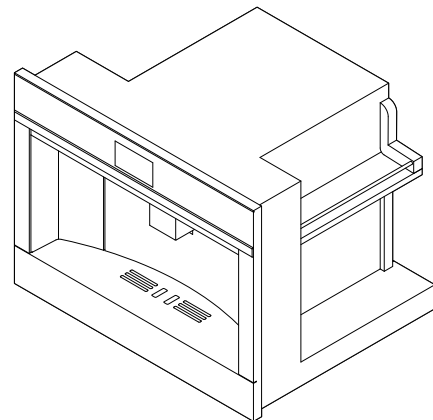
Copyright © Fisher & Paykel Appliances 2017. All rights reserved.  
The product specifications in this booklet apply to the specific products and models described at the date of issue. Under our policy of continuous product improvement, these specifications may change at any time. You should therefore check with your Dealer to ensure this booklet correctly describes the product currently available.



# COFFEE MAKER

---

EB24 models



# IMPORTANT SAFETY INSTRUCTIONS!

## Installation

<b>⚠ WARNING!</b>	
	<p><b>Cut Hazard</b> Take care – some edges are sharp. Failure to use caution could result in injury or cuts.</p>

### Checking for transport damage

After removing the packaging, make sure the product is complete and undamaged and that all accessories are present. Do not use the appliance if it is visibly damaged. Contact Customer Care.

### IMPORTANT!

- Installation must be performed by a qualified professional in compliance with legislation in force in the country of installation.
- Never install the appliance in rooms where the temperature may drop to 32°F (0°C) or lower.
- This appliance can be installed over a built-in oven if the latter is fitted with a cooling fan at the rear (maximum microwave power: 3 kW).
- Ensure the appliance is fully secured. Failure to do so may result in an unstable product, which may cause damage or injury.
- Connect to a properly rated, protected and sized power supply circuit to avoid electrical overload.
- Make sure that the power supply cord is located so that it will not be stepped on, tripped over or otherwise subject to damage or stress.

### Connecting the appliance

This appliance should be connected to a circuit which incorporates an isolation switch providing full disconnection from the power supply.

### DANGER!

- Check that the mains power supply voltage corresponds to the value indicated on the rating plate on the bottom of the appliance.
- Connect the appliance to an efficiently earthed and correctly installed socket with a minimum current rating of 10A only.
- If the power socket does not match the plug on the appliance, have the socket replaced with a suitable type by a qualified professional.
- To comply with safety directives, an omnipolar switch with a minimum contact distance of 1/8" (3mm) must be installed.
- Do not use multiple sockets or extensions.
- Safety cutout devices must be included in the mains power supply in compliance with the installation regulations in the country concerned.
- This appliance conforms to EC Regulation 1935/2004 on materials and articles intended to come into contact with food.

## MAINTENANCE

- Do not repair or replace any part of the appliance or attempt any servicing unless specifically recommended in this user guide.
- We recommend that you contact Customer Care to arrange service. See your 'Service and warranty' booklet for contact details.
- To prevent damage to the appliance do not use alkaline cleaning agents when cleaning, use a soft cloth and a mild detergent.
- If the plug or power cable is damaged, it must be replaced by an authorized technical only to avoid all risk.
- Appliances with removable cord: avoid splashes of water on the power cord connector or socket at the back of the appliance.
- Do not place weight onto the coffee machine when it is out of the cabinet.
- Do not rest containers with liquids or inflammable or corrosive materials on top of the appliance.
- Do not rest large objects which could obstruct movement or unstable objects on the appliance.
- Never turn off the machine during descaling.
- The first time you use the appliance, or if it is not used for more than three or four days, rinse all removable accessories which may come into contact with water or milk with hot water.
- If the appliance is not used for more than three or four days, prior to re-using the appliance, rinse the water circuit as described in this manual.
- You should diligently carry out automatic cleaning and guided maintenance when prompted by the appliance through the display as described in this manual.
- Choking hazard. The appliance might contain small parts. Some of those small parts might be required to get disassembled during cleaning and maintenance operations.
- Handle with care and keep small parts out of reach of children.
- Cleaning and user maintenance shall not be made by children without supervision.

### Disposal

The appliance must not be disposed of with household waste, but taken to an authorised waste separation and recycling centre.

### Operational

- Customise the water hardness as soon as possible following the instructions in the 'Water hardness' section.
- Keep hands clear of the coffee spout when in operation. The temperature of liquid that flows from the spout could result in burns.
- During the rinse cycle hot water flows from the spout. Please keep hands clear of the spout to avoid the risk of burns.
- This appliance produces hot water and steam may form while it is in operation.
- Models with glass surfaces: do not use the appliance if the surface is cracked.
- Do not use the appliance when it is out the cabinet. Make sure the appliance is turned off before extracting it. The only exception is adjusting the coffee mill which must be done with the machine extracted (see section 'Adjusting the coffee mill').

Note: Use original or manufacturer recommended accessories and spare parts only.

## IMPORTANT! SAVE THESE INSTRUCTIONS

The models shown in this installation guide may not be available in all markets and are subject to change at any time. For current details about model and specification availability in your country, please go to our website [fisherpaykel.com](http://fisherpaykel.com) or contact your local Fisher & Paykel dealer.

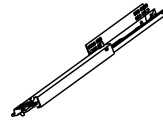


## ② PARTS SUPPLIED

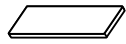


Screws  
(7)

Rails (2)



Clip (1)



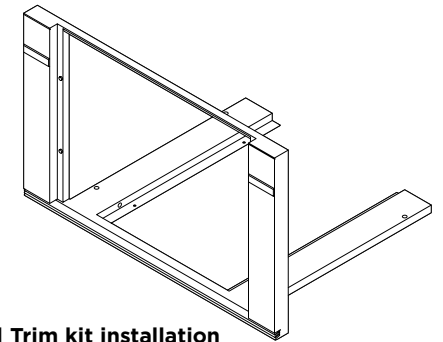
Spacers  
(4) for side  
(4) for bottom

## ③ PRIOR TO INSTALLATION

- The countertop and coffee maker cavity are square and level, and are the required dimensions.
- The installation will comply with all clearance requirements and applicable standards and regulations.
- The isolating switch will be easily accessible to the customer with the coffee maker installed.
- The electrician provides sufficient free length of power supply cable to reach from the bottom rear of the cavity to at least 59 1/16" (1.5m) in front of the bottom edge of the opening.
- The cable may enter the cavity from the side, top or bottom, but top entry must be at the rear of the cavity.
- The coffee maker connection socket (if fitted) is outside the cavity if the oven is flush to the rear wall.
- The coffee maker will rest on a surface that can support its weight.
- The height from the floor suits the customer.
- You consult local building authorities and by-laws if in doubt regarding installation.

### IMPORTANT!

**Some environmental factors and cooking habits can cause condensation in and around the coffee maker during use. To protect surrounding cabinetry from possible damage caused by frequent or excessive condensation, we recommend moisture-proofing the cavity.**



### Optional Trim kit installation

If you are using a 30" (762mm) trim kit, refer to the separate Trim Kit Installation Guide.

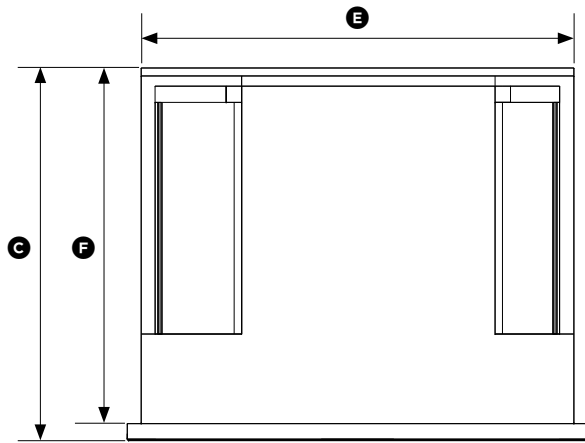
## ④ AFTER INSTALLATION

### IMPORTANT!

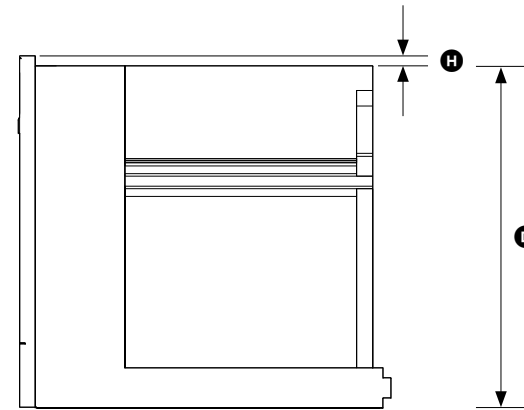
**Take extra care not to damage the lower trim of the coffee maker during installation. The trim is important for correct air circulation and allows the door to open and close without obstruction. The manufacturer does not accept any responsibility for damage resulting from incorrect installation.**

- The coffee maker can be used fully without obstruction.
- The power supply cable does not touch any hot metal parts.
- The isolating switch is easily accessible to the customer with the coffee maker installed.
- You complete the 'Final checklist' at the end of the installation.
- If, after following the instructions given, correct performance cannot be achieved, please contact your nearest Fisher & Paykel Authorized Service Center, Customer Care, or contact us through our local website listed at the end of this document.

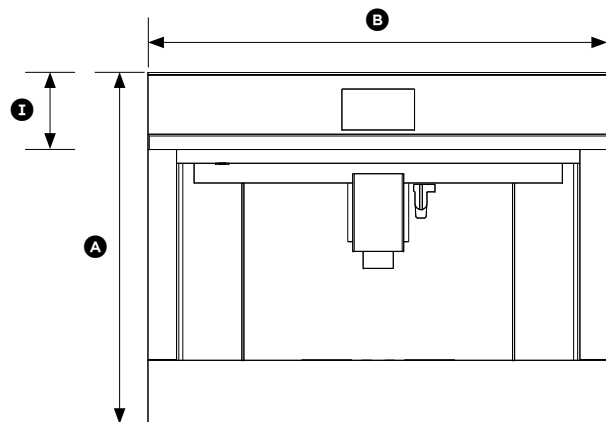
## 5 PRODUCT DIMENSIONS



TOP



SIDE



FRONT

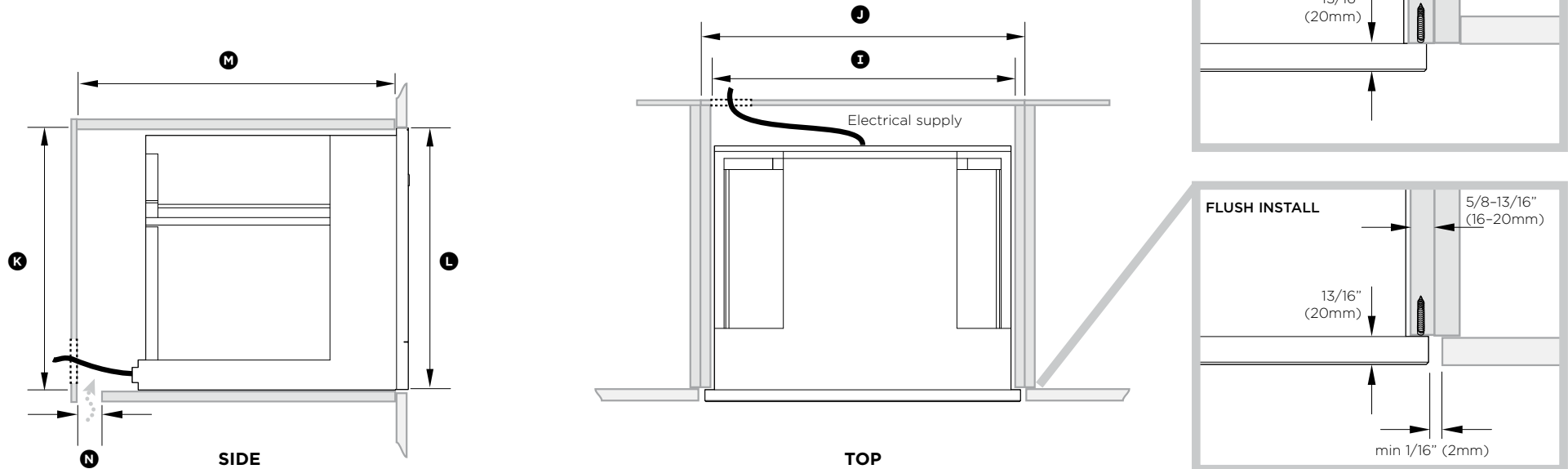
PRODUCT DIMENSIONS	EB24 MODELS
	inches (mm)
(A) Overall height of product	18" (458)
(B) Overall width of product	23 1/2" (596)
(C) Overall depth of product (excluding dials)	18 7/8" (480)
(D) Height of chassis	17 1/2" (445)
(E) Width of chassis	22 1/16" (560)
(F) Depth of chassis	18 1/8" (460)
(G) Depth of coffee maker frame and control panel	13/16" (20)
(H) Stepdown control panel to chassis	1/2" (13)
(I) Height of control panel	4" (100)

## 6 A CABINETY DIMENSIONS (18 1/8" (460mm) HIGH CAVITY)

Verify the minimum measurements required for correct installation of the appliance. The coffee maker must be installed in a column and the column must be firmly fixed to the wall with commercially available brackets.

### IMPORTANT!

- All installation or maintenance operations must be performed with the appliance disconnected from the mains electricity supply.
- Kitchen furniture in direct contact with the appliance must be heat resistant 149°F min (65°C min).
- To guarantee correct ventilation, leave a gap at the bottom of the cabinet (see measurements below).



CABINETY DIMENSIONS	EB24 MODELS	
	inches (mm)	
Ⓘ Minimum inside width of cavity	22 1/16" (560)	
Ⓙ Overall width of cabinetry	23 5/8" (600)	
Ⓚ Minimum inside height of cavity	17 3/4" (450)	
Ⓛ Overall height of cabinetry	18 1/8" (460)	
Ⓜ Minimum inside depth of cavity	21 7/16" (545)	
Ⓝ Ventilation Air Gap	2" (50)	

## 6 B CABINETY DIMENSIONS (18 7/8" (480mm) CAVITY TRIM KIT)

Verify the minimum measurements required for correct installation of the appliance. The coffee maker must be installed in a column and the column must be firmly fixed to the wall with commercially available brackets.

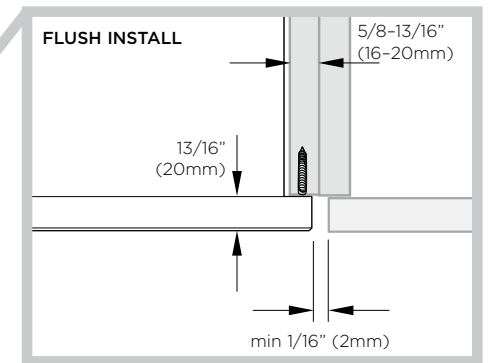
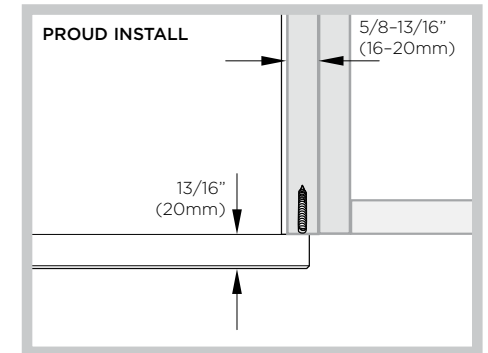
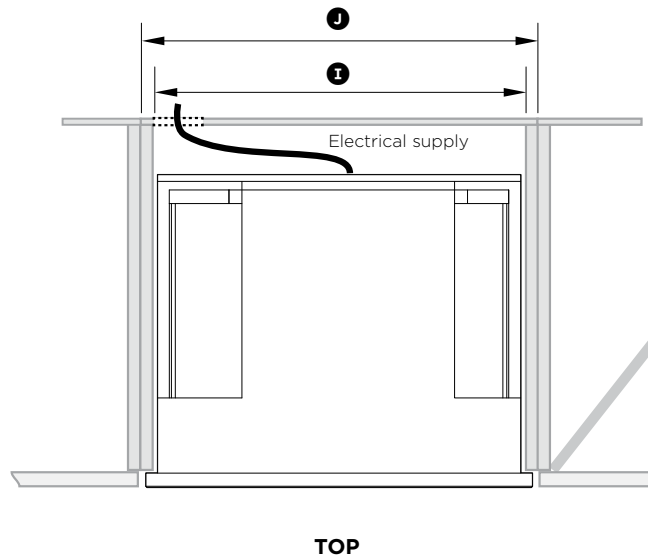
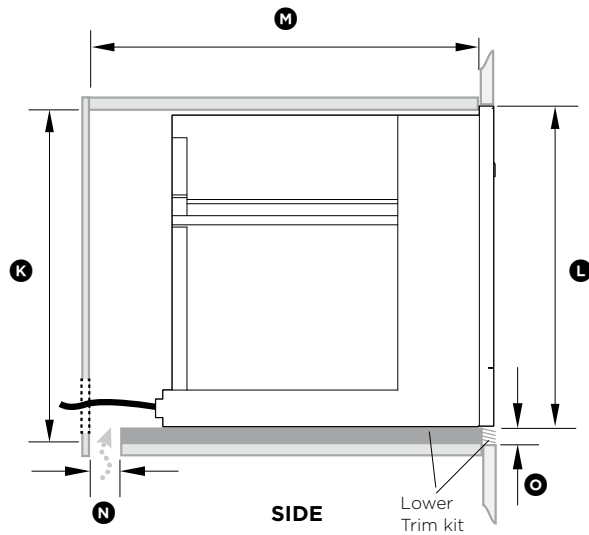
### Lower Trim Kit

The Lower Trim kit shown is available to order separately from [fisherpaykel.com](http://fisherpaykel.com).

To install the trim kit, refer to the instructions which accompany it.

### IMPORTANT!

- All installation or maintenance operations must be performed with the appliance disconnected from the mains electricity supply.
- Kitchen furniture in direct contact with the appliance must be heat resistant 149°F min (65°C min).
- To guarantee correct ventilation, leave a gap at the bottom of the cabinet (see measurements below).

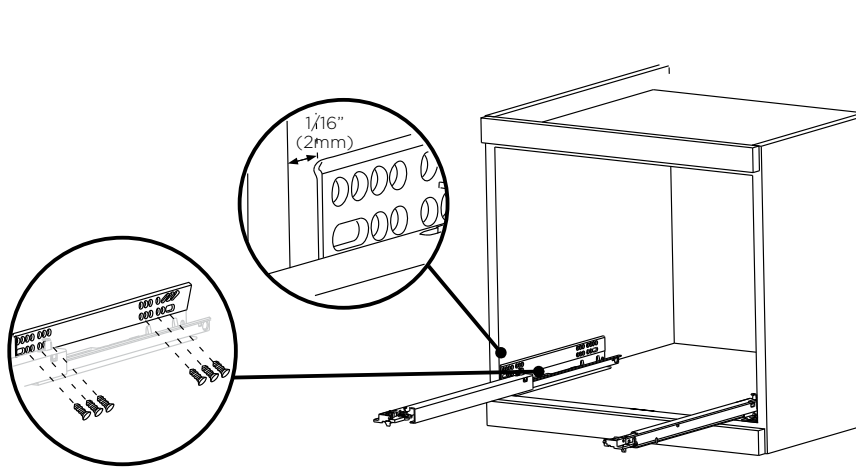


### CABINETY DIMENSIONS

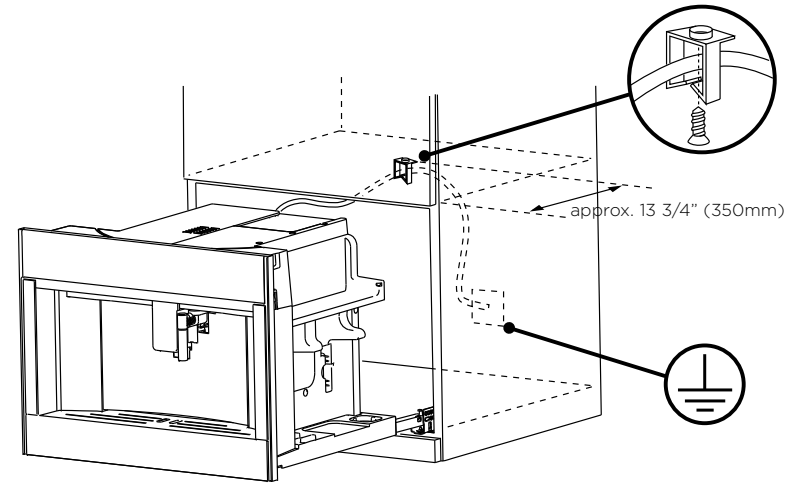
### EB24 MODELS

	inches (mm)
ⓐ Minimum inside width of cavity	22 1/16" (560)
ⓑ Overall width of cabinetry	23 5/8" (600)
ⓒ Minimum inside height of cavity	18 1/2" (470)
ⓓ Overall height of cabinetry	18 7/8" (480)
ⓔ Minimum inside depth of cavity	21 7/16" (545)
ⓕ Ventilation air vent	2" (50)
ⓖ Height of trim kit	13/16" (20)

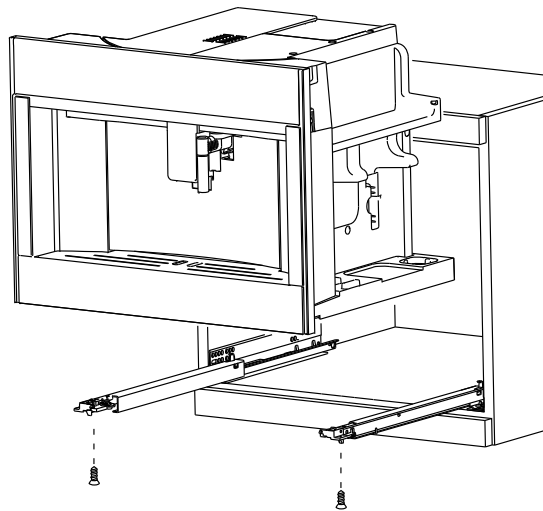
## ⑦ INSTALLATION INSTRUCTIONS



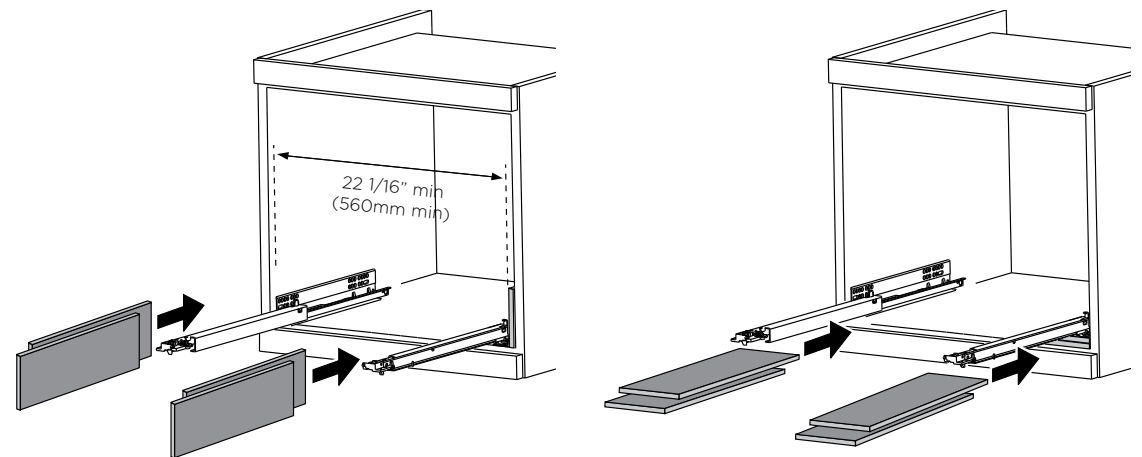
- ① Position the rails on the sides of the cabinet. Fix with the screws provided, then extract them completely.
- If the coffee maker is installed over a warmer drawer, use the top surface of this as a reference to position the rails.
  - In this case, there will be no surface to rest the rails on.
  - Position and fix the lock hook with the four screws provided, as shown in the figure.



- ② Fix the power cable with the clip. The power cable must be long enough to allow the appliance to be extracted from the cabinet to fill the coffee bean container.
- The appliance must be earthed in compliance with legislation.
  - Electrical connections must be performed by a qualified electrician following the instructions.



- ③ Position the appliance on the rails, making sure the pins are correctly inserted in the housings, then fix it with the screws supplied. If the height of the appliance requires adjusting, use the spacer disks provided.



- ④ If necessary, correct alignment of the appliance by positioning the spacers supplied under or at the sides of the support.

✓ **TO BE COMPLETED BY THE INSTALLER**

- Make sure the coffee maker is level and securely fitted to the cabinetry.
- Check the lower trim is undamaged.
- Check there is adequate clearance. This is to ensure correct air circulation.
- Make sure any cable ties and internal packaging has been removed from the coffee maker cavity.
- Make sure all coffee maker vents and openings are clear and free of any obstruction or damage.

**IMPORTANT!**

**Failure to make sure all vents are clear may result in poor product performance.**

- Make sure the isolating switch is accessible by the customer.

**TEST OPERATION:**

- Turn the power to the coffee maker on. The display should light up.
- Have you demonstrated the basic operation to the customer?
- Fill the water tank to the indicated level.

Complete and keep for safe reference:

Model \_\_\_\_\_

Serial No. \_\_\_\_\_

Purchase Date \_\_\_\_\_

Purchaser \_\_\_\_\_

Dealer Address \_\_\_\_\_

Installer's Name \_\_\_\_\_

Installer's Signature \_\_\_\_\_

Installation Company \_\_\_\_\_

Installation Date \_\_\_\_\_

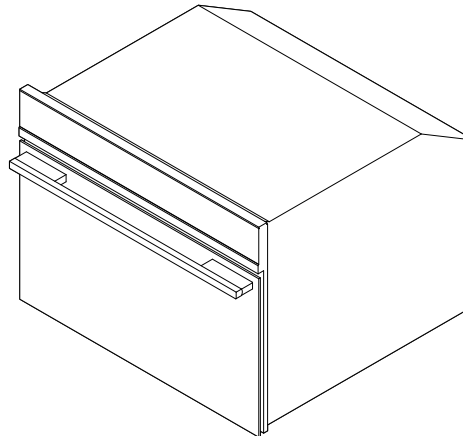
**FISHERPAYKEL.COM**

Copyright © Fisher & Paykel Appliances 2017. All rights reserved.  
The product specifications in this booklet apply to the specific products and models described at the date of issue. Under our policy of continuous product improvement, these specifications may change at any time. You should therefore check with your Dealer to ensure this booklet correctly describes the product currently available.


# STEAM OVEN


---

OS24N models



Installation

<b>⚠ WARNING!</b>	
	<p><b>Electrical Shock Hazard</b>            Before carrying out any work on the electrical section of the appliance, it must be disconnected from the mains electricity supply. Connection to a good ground wiring system is absolutely essential and mandatory. Alterations to the domestic wiring system must only be made by a qualified electrician. Failure to follow this advice may result in electrical shock or death.</p>

<b>⚠ WARNING!</b>	
	<p><b>Fire Hazard</b>            Do not use adapters, reducers, or branching devices to connect this appliance to the mains power supply. Failure to follow this advice may result in overheating, burning, or fire.</p>

<b>⚠ WARNING!</b>	
	<p><b>Cut Hazard</b>            Take care - some edges are sharp. Failure to use caution could result in injury or cuts.</p>

## IMPORTANT SAFETY INSTRUCTIONS!

To avoid hazard, follow these instructions carefully before installing or using this appliance.

- Save these instructions for the local inspectors use.
- Please make this information available to the person installing the appliance - doing so could reduce your installation costs.
- This oven is to be installed and connected to the electricity supply only by an authorized person.
- If the installation requires alterations to the domestic electrical system, call a qualified electrician. The electrician should also check that the socket cable section is suitable for the electricity drawn by the oven.
- The oven must be grounded.
- Installation must comply with your local building and electricity regulations.
- This appliance must be installed and connected to the mains power supply only by a suitably qualified person according to these installation instructions and in compliance with any applicable local building and electricity regulations. Failure to install the appliance correctly could invalidate any warranty or liability claims.
- If the power supply cable is damaged, it must be replaced by the manufacturer, its service agent or similarly qualified person in order to avoid a hazard.
- A circuit breaker is recommended.
- Do not use adaptors, reducers or branching devices to connect the oven to the mains electricity supply, as they can cause overheating and burning.
- Make sure the cavity is completely sealed with no gaps. This is to ensure the oven cooling system functions correctly.

### Electrical requirements

- Connect oven with copper wire only.
- Do not cut the conduit.
- A U.L. listed conduit connector must be provided at the junction box.
- Do not ground to a gas pipe.
- Do not have a fuse in the grounding or neutral circuit.
- Fuse both sides of the line.
- A time delay fuse or circuit breaker is recommended. If using a time delay fuse, then fuse both sides of the line.
- Flexible armored cable from the appliance should be connected directly to the junction box.
- Connect directly to the fused disconnect (or circuit breaker box) through flexible, armored or non-metallic sheathed, copper cable (with grounding wire).
- If codes permit and a separate grounding wire is used, it is recommended that a qualified electrician determine that the grounding path and wire gauge are in accordance with local codes.

### IMPORTANT! SAVE THESE INSTRUCTIONS

The models shown in this installation guide may not be available in all markets and are subject to change at any time. For current details about model and specification availability in your country, please go to our website [fisherpaykel.com](http://fisherpaykel.com) or contact your local Fisher & Paykel dealer.



## ② PRIOR TO INSTALLATION

- The countertop and oven cavity are square and level, and are the required dimensions.
- The installation will comply with all clearance requirements and applicable standards and regulations.
- The isolating switch will be easily accessible to the customer with the oven installed.
- The electrician provides sufficient free length of power supply cable to reach from the bottom rear of the cavity to at least 59 1/16" (1.5m) in front of the bottom edge of the opening.
- The cable may enter the cavity from the side, top or bottom, but top entry must be at the rear of the cavity.
- The oven connection socket (if fitted) is outside the cavity if the oven is flush to the rear wall.
- The oven will rest on a surface that can support its weight.
- The height from the floor suits the customer.
- You consult local building authorities and by-laws if in doubt regarding installation.

### **IMPORTANT!**

**Some environmental factors and cooking habits can cause condensation in and around the oven during use. To protect surrounding cabinetry from possible damage caused by frequent or excessive condensation, we recommend moisture-proofing the oven cavity.**



### **Optional Trim kit installation**

If you are using a 30" (762mm) trim kit, refer to the separate Trim Kit Installation Guide.

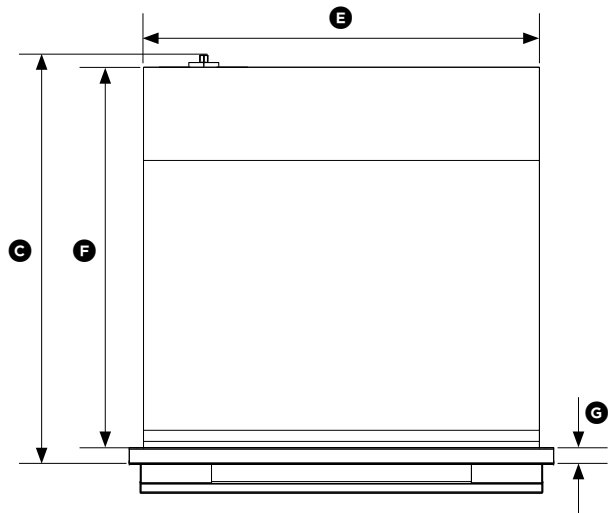
## ③ AFTER INSTALLATION

### **IMPORTANT!**

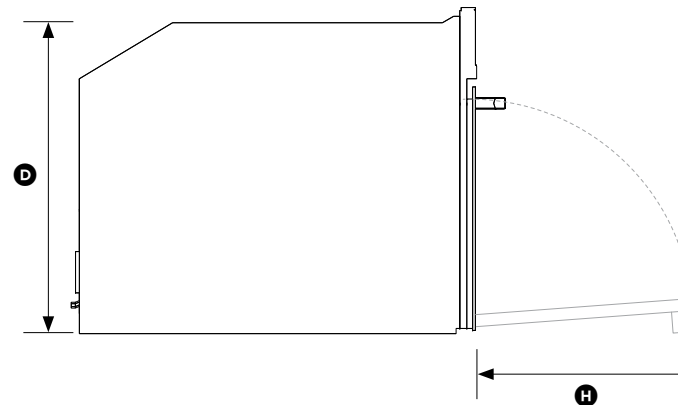
**Take extra care not to damage the lower trim of the oven during installation. The trim is important for correct air circulation and allows the door to open and close without obstruction. The manufacturer does not accept any responsibility for damage resulting from incorrect installation.**

- The oven door(s) can open fully without obstruction.
- The power supply cable does not touch any hot metal parts.
- The isolating switch is easily accessible to the customer with the oven installed.
- You complete the 'Final checklist' at the end of the installation.
- If, after following the instructions given, correct performance cannot be achieved, please contact your nearest Fisher & Paykel Authorized Service Center, Customer Care, or contact us through our local website listed at the end of this document.

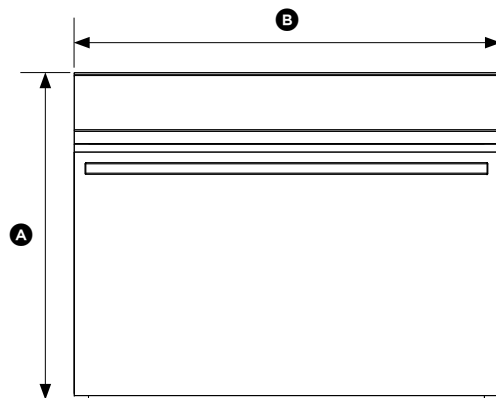
## ④ PRODUCT DIMENSIONS



TOP



SIDE

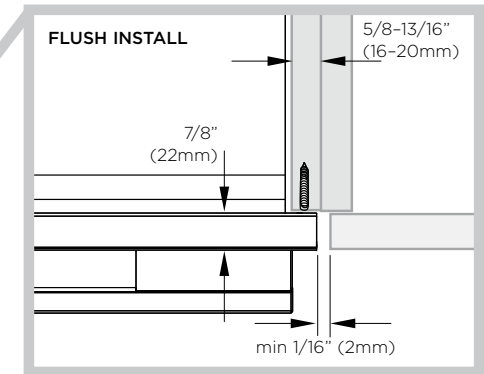
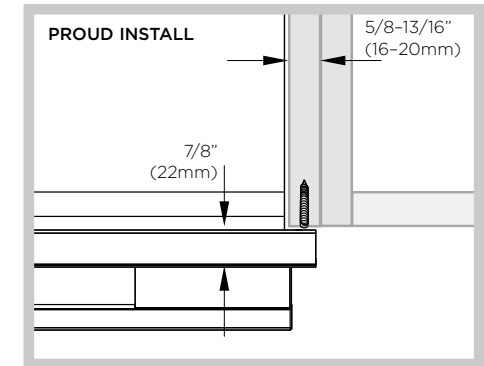
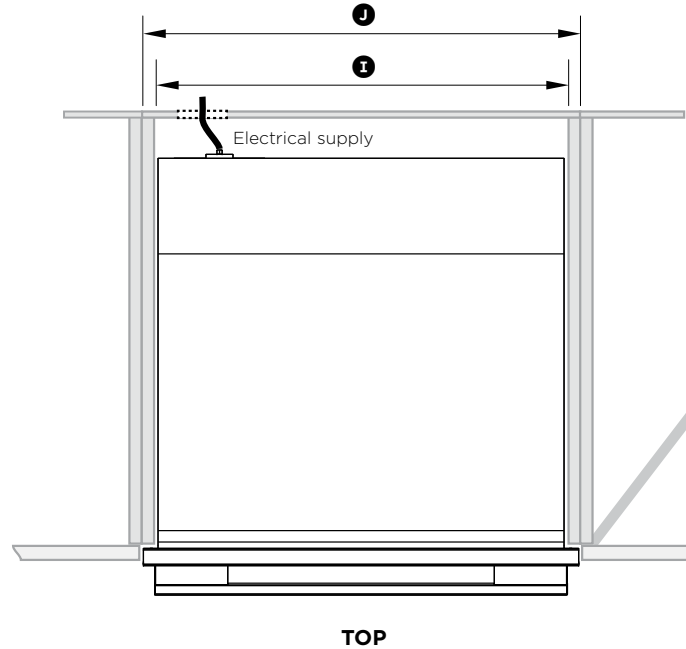
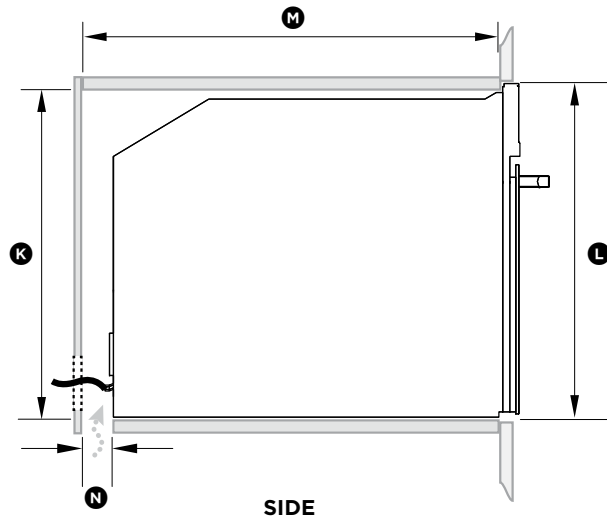


FRONT

PRODUCT DIMENSIONS	OS24N MODELS
	inches (mm)
Ⓐ Overall height of product	18" (458)
Ⓑ Overall width of product	23 7/16" (596)
Ⓒ Overall depth of product (excluding handle and dials)	22 1/8" (562)
Ⓓ Height of chassis	17 1/2" (445)
Ⓔ Width of chassis	21 7/8" (556)
Ⓕ Depth of chassis	21 1/4" (540)
Ⓖ Depth of oven frame and control panel (=distance between front of chassis and front of oven door, excl. knobs)	7/8" (22)
Ⓗ Depth of oven door when fully open (measured from front of control panel)	12 5/8" (320)

## 5 A CABINETY DIMENSIONS (18 1/8" (460mm) HIGH CAVITY)

- The oven can be installed under a cooktop, in a column, or combined with the companion warmer drawer.
- The cabinet material must be able to withstand heat.
- The oven must be centered within the walls of the cabinet and fixed with the screws and bushings that are provided.



CABINETY DIMENSIONS	OS24N MODELS	
	inches (mm)	
Ⓘ Minimum inside width of cavity	22 1/16" (560)	
Ⓙ Overall width of cabinetry	23 5/8" (600)	
Ⓚ Minimum inside height of cavity	17 3/4" (450)	
Ⓛ Overall height of cabinetry	18 1/8" (460)	
Ⓜ Minimum inside depth of cavity	22 1/16" (560)	
Ⓝ Ventilation air vent	2" (50)	

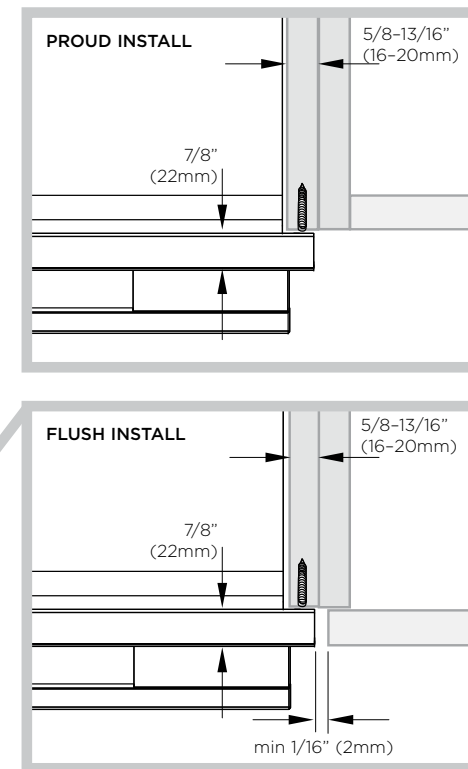
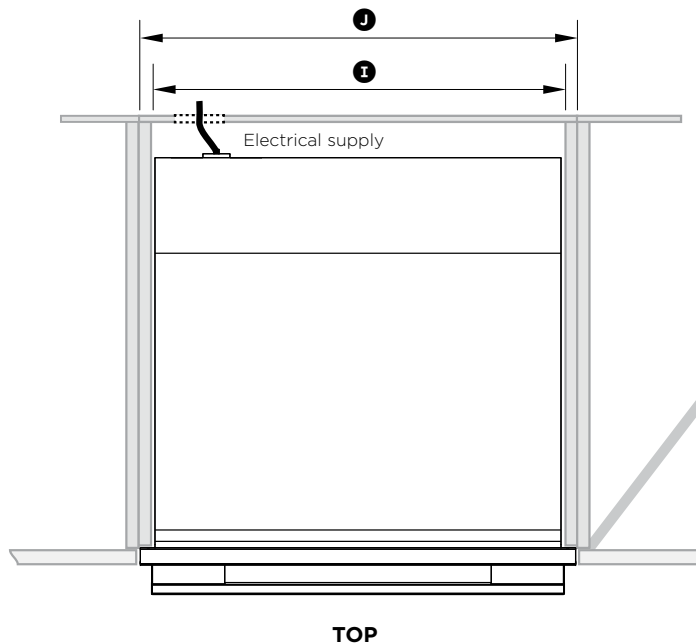
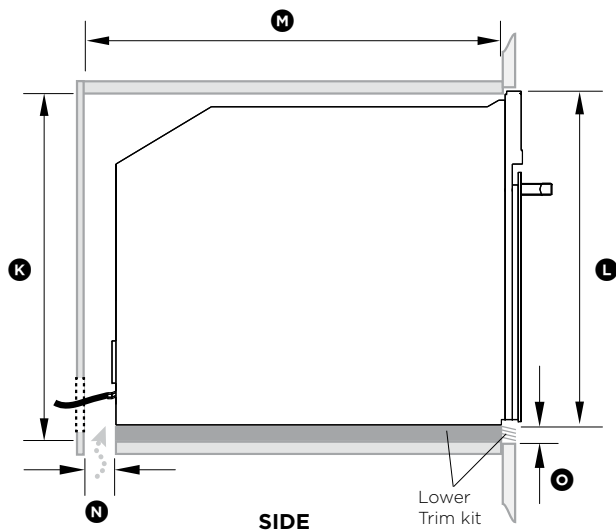
Note: If installing a cooktop above the oven, ensure adequate clearance is provided for the cooktop as per the cooktop manufacturer's instructions.

## 5 B CABINETY DIMENSIONS (18 7/8" (480mm) CAVITY TRIM KIT)

- The oven must be installed under a cook top, in a column, or combined with the companion warmer drawer.
- The cabinet material must be able to withstand heat.
- The oven must be centred within the walls of the cabinet and fixed with the screws and bushings that are provided.

### Lower Trim Kit

The Lower Trim kit shown is available to order separately from [fisherpaykel.com](http://fisherpaykel.com). To install the trim kit, refer to the instructions which accompany it.



### CABINETY DIMENSIONS

Ⓢ	Minimum inside width of cavity
Ⓣ	Overall width of cabinetry
Ⓚ	Minimum inside height of cavity
Ⓛ	Overall height of cabinetry
Ⓜ	Minimum inside depth of cavity
Ⓝ	Ventilation air vent
Ⓞ	Height of trim kit

### OS24N MODELS

#### inches (mm)

Ⓢ	22 1/16" (560)
Ⓣ	23 5/8" (600)
Ⓚ	18 5/16" (465)
Ⓛ	18 7/8" (480)
Ⓜ	22 1/16" (560)
Ⓝ	2" (50)
Ⓞ	13/16" (20)

Note: If installing a cooktop above the oven, ensure adequate clearance is provided for the cooktop as per the cooktop manufacturer's instructions.

## 6 ELECTRICAL HOOK-UP

Before connecting to the electricity, make sure that the:

- specifications of the electrical system match with what is detailed on the serial number plate applied to the front of the oven.
- system has an effective ground connection compliant with current standards and laws.

The ground connection is required by law. The cable must not, at any point, reach a temperature greater than 122°F (50°C) above room temperature.

This oven must be connected to the electricity through a power supply cable and plug that is compatible with the outlet of the electrical system that powers this oven. If a fixed appliance does not have a power cord and plug, or another device that ensures disconnection from the mains, with an opening distance of the contacts that allows complete disconnection, such disconnection devices must be provided in the power supply mains conforming to the installation rules. The omnipolar socket or switch must be easy to reach when the appliance is installed.

NOTE: The manufacturer declines all liability if the usual accident prevention standards and the above instructions are not followed.

## 7 SECURE THE OVEN TO THE CABINETY

- ① Position the oven in the prepared cavity.

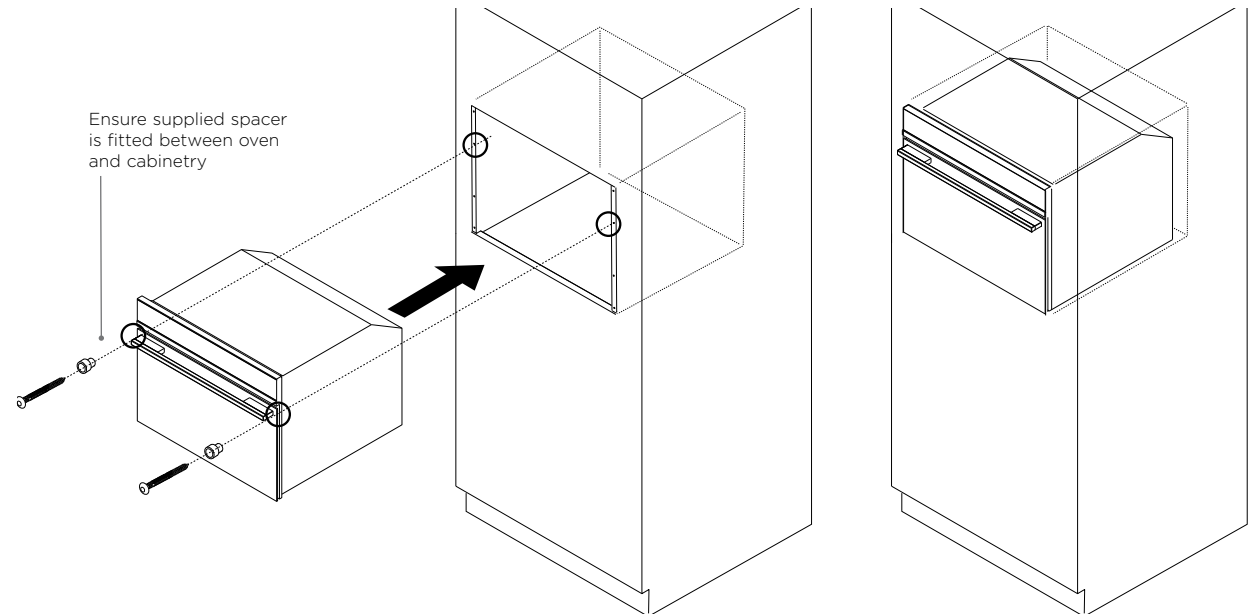
### IMPORTANT!

Do not lift the oven by the door handle.

- ② Use the supplied screws and spacers to secure the oven to the cabinetry.

### IMPORTANT!

- Do not over-tighten the screws.
- Take care not to damage the lower trim of the oven.
- Do not seal the oven into the cabinetry with silicone or glue. This makes future servicing difficult. Fisher & Paykel will not cover the costs of removing the oven, or of damage caused by this removal.



## 8 FINAL CHECKLIST

### ✓ TO BE COMPLETED BY THE INSTALLER

- Make sure the oven is level and securely fitted to the cabinetry.
- Check the lower trim is undamaged.
- Open the oven door slowly until it is fully open and check there is adequate clearance between the bottom of the door and the lower trim. This is to ensure correct air circulation. Should the lower trim become damaged, straighten the trim and ensure the oven door opens fully without obstruction.
- Make sure any cable ties and internal packaging has been removed from the oven cavity.
- Make sure all oven vents and openings are clear and free of any obstruction or damage.

### **IMPORTANT!**

**Failure to make sure all oven vents are clear may result in poor product performance.**

- Make sure the isolating switch is accessible by the customer.

### **TEST OPERATION:**

- Have you demonstrated the basic operation to the customer?  
Refer to User Guide.

Complete and keep for safe reference:

Model \_\_\_\_\_

Serial No. \_\_\_\_\_

Purchase Date \_\_\_\_\_

Purchaser \_\_\_\_\_

Dealer Address \_\_\_\_\_

Installer's Name \_\_\_\_\_

Installer's Signature \_\_\_\_\_

Installation Company \_\_\_\_\_

Installation Date \_\_\_\_\_

**FISHERPAYKEL.COM**

Copyright © Fisher & Paykel Appliances 2017. All rights reserved.  
The product specifications in this booklet apply to the specific products and models described at the date of issue. Under our policy of continuous product improvement, these specifications may change at any time. You should therefore check with your Dealer to ensure this booklet correctly describes the product currently available.









# FISHER & PAYKEL

## PRODUITS COMPAGNONS

---

### Modèles

Tiroir chauffant WB24

Machine à café EB24

Four à vapeur OS24N

GUIDE D'INSTALLATION

CA

591496A 11.17

# CONTENTS

<b>Tiroir chauffant</b>	<b>1</b>	<b>Machine à café</b>	<b>13</b>	<b>Four à vapeur</b>	<b>21</b>
1 Sécurité et avertissements	2	1 Sécurité et avertissements	14	1 Sécurité et avertissements	22
2 Pièces fournies	3	2 Pièces fournies	15	2 Avant l'installation	23
3 Avant l'installation	3	3 Avant l'installation	15	3 Après l'installation	23
4 Dimensions du produit	4	4 Après l'installation	15	4 Dimensions du Produit	24
5A Dimensions de l'armoire - underbench (ie installé avec f&p four unique)	5	5 Dimensions du produit	16	5A Dimensions de l'armoire (cavité de 18 1/8" (460mm) de hauteur)	25
5B Dimensions de l'armoire - mural (ie installé avec un four compact F&P)	6	6A Dimensions de l'armoire (cavité de 18 1/8" (460mm) de hauteur)	17	5B Dimensions de l'armoire (kit de garniture de cavité de 18 7/8" (480mm))	26
5C Dimensions de l'armoire - mural (ie installé avec une cafetière F&P)	7	6B Dimensions de l'armoire (kit de garniture de cavité de 18 7/8" (480mm))	18	6 Branchement électrique	27
5D Dimensions de l'armoire - mural (standalone)	8	7 Instructions d'installation	19	7 Fixez le four aux armoires	27
6 Jeter l'emballage de manière responsable	9	8 Liste de contrôle finale	20	8 Liste de contrôle finale	28
7 Marquer et pré-percer les trous pour fixer le tiroir-réchaud	9				
8 Connectez le tiroir chauffant à l'alimentation secteur	9				
9 Fixez le tiroir chauffant aux armoires	10				
10 Fixez le support anti-basculement (en option en fonction de la configuration de l'armoire)	10				
11 Liste de contrôle finale	11				

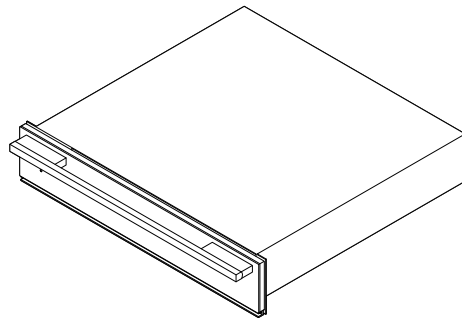
## **IMPORTANT! CONSERVEZ CES INSTRUCTIONS**

Les modèles présentés dans ce guide d'installation peuvent ne pas être disponibles sur tous les marchés et peuvent être modifiés à tout moment. Pour plus d'informations sur la disponibilité des modèles et des spécifications dans votre pays, rendez-vous sur notre site Internet [fisherpaykel.com](http://fisherpaykel.com) ou contactez votre revendeur local Fisher & Paykel.

# TIROIR CHAUFFANT

---

Modèles WB24



**⚠ AVERTISSEMENT!**



**Danger de choc électrique**  
 Avant d'effectuer tout travail sur la partie électrique de l'appareil, celui-ci doit être déconnecté du secteur.  
 La connexion à un bon système de mise à la terre est absolument essentielle et obligatoire.  
 Les modifications apportées au système de câblage domestique ne doivent être effectuées que par un électricien qualifié.  
 Le non-respect de ce conseil peut entraîner un choc électrique ou la mort.

**⚠ AVERTISSEMENT!**



**Risque d'incendie**  
 N'utilisez pas d'adaptateurs, de réducteurs ou de dispositifs de dérivation pour raccorder cet appareil à l'alimentation secteur.  
 Le non-respect de ce conseil peut entraîner une surchauffe, une brûlure ou un incendie.

**⚠ AVERTISSEMENT!**



**Couper le danger**  
 Attention – certains bords sont coupants.  
 Ne pas faire preuve de prudence peut entraîner des blessures ou des coupures.

## CONSIGNES DE SÉCURITÉ IMPORTANTES

Pour réduire les risques d'incendie, d'électrocution, de blessure ou de dommages lors de l'utilisation du tiroir-réchaud, veuillez lire attentivement ces instructions avant d'installer ce produit.

- Veuillez mettre cette information à la disposition de la personne qui installe le produit – cela pourrait réduire les coûts d'installation.
- Les travaux d'installation, d'entretien et de réparation ne doivent être effectués que par des personnes qualifiées et compétentes, conformément aux normes de sécurité nationales et locales.
- Débranchez toujours l'alimentation électrique avant d'effectuer toute opération d'installation, d'entretien ou de réparation.
- Avant l'installation, assurez-vous que la tension et la fréquence indiquées sur la plaque signalétique correspondent à l'alimentation électrique domestique.
- La prise électrique doit être facilement accessible après l'installation.
- Lorsqu'un produit complémentaire est installé en même temps que le tiroir chauffant sur le même circuit, l'utilisation des deux produits peut provoquer une surcharge. En cas de doute, consultez un électricien qualifié.
- Lorsqu'il est installé en combinaison avec un produit compagnon, le produit compagnon peut être placé directement sur le tiroir-réchaud. Il n'est pas nécessaire de placer une étagère entre les produits. Une étagère intégrée à la base des armoires pouvant supporter le poids des deux produits est requise.
- Si vous installez le tiroir-réchaud directement sous un four, veillez à ne pas endommager la garniture inférieure du four. La garniture inférieure assure une circulation d'air correcte dans le four et permet à la porte de s'ouvrir et de se fermer sans obstruction. Fisher & Paykel n'accepte aucune responsabilité pour tout dommage résultant d'une installation incorrecte.
- Le poids maximum que le tiroir chauffant peut supporter est de 132 lb (60 kg).
- Le tiroir-réchaud n'est pas conçu pour être utilisé dans des installations mobiles telles que des véhicules récréatifs, des bateaux ou des avions.
- Lors de l'installation de produits d'accompagnement, le poids du produit d'accompagnement doit être réparti sur les bords du tiroir-réchaud. Les produits au-dessus desquels reposent les «pieds» ne peuvent être installés que si les pieds du produit se trouvent à moins de 2 3/4" (70mm) des côtés du tiroir-réchaud, car cette zone est renforcée. Si vous ne le faites pas, vous risquez d'endommager le tiroir-réchaud et le produit associé.
- Avant d'installer le tiroir-réchaud, vous devez l'inspecter pour déceler tout signe de dommage. Vous ne devez en aucun cas installer ou utiliser le tiroir chauffant s'il a été endommagé.
- Si le cordon d'alimentation est endommagé, il doit être remplacé par le fabricant, son agent de service ou un professionnel qualifié afin d'éviter tout danger.
- Connecter le tiroir chauffant à un circuit d'alimentation correctement dimensionné, protégé et dimensionné pour éviter une surcharge électrique.
- N'utilisez pas une rallonge ou un appareil de prise de courant portatif (par exemple, une prise de courant à plusieurs prises) pour raccorder le tiroir-réchaud à l'alimentation électrique. Assurez-vous que le cordon d'alimentation est situé de façon à ne pas marcher, trébucher ou subir des dommages ou des contraintes.
- Assurez-vous que la connexion à l'alimentation est accessible après l'installation.

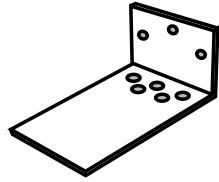
### IMPORTANT! CONSERVEZ CES INSTRUCTIONS

Les modèles présentés dans ce guide d'installation peuvent ne pas être disponibles sur tous les marchés et peuvent être modifiés à tout moment. Pour plus d'informations sur la disponibilité des modèles et des spécifications dans votre pays, rendez-vous sur notre site Internet [fisherpaykel.com](http://fisherpaykel.com) ou contactez votre revendeur local Fisher & Paykel.

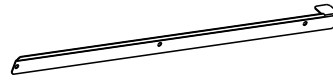
## ② PIÈCES FOURNIES



Des vis (4)



Support anti-basculement (1)



Supports de support de four (2)

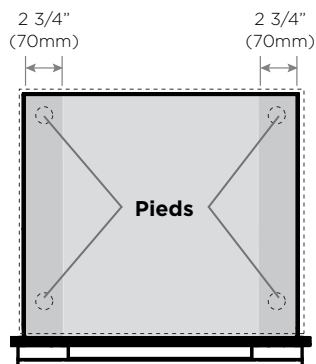
## ③ AVANT L'INSTALLATION

- La cavité est carrée et de niveau, et des dimensions requises.
- L'installation sera conforme à toutes les exigences de dégagement et aux normes et règlements applicables.
- L'interrupteur d'alimentation sera facilement accessible au client lorsque le tiroir-réchaud est installé.
- Le tiroir chauffant (et tout produit sur le dessus) reposera sur une surface qui peut supporter son poids.
- La hauteur du sol convient au client.
- Vous consultez les autorités locales de construction et les règlements en cas de doute concernant l'installation.

### Si l'installation avec un produit compaignon

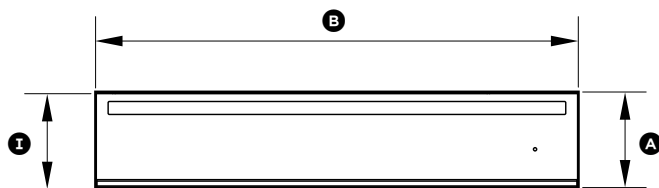
#### **IMPORTANT!**

- Si vous installez un produit d'accompagnement, veuillez vous reporter aux instructions d'installation de ce produit pour vous assurer que les exigences d'installation des DEUX produits sont respectées.
- Lors de l'installation de produits sur le dessus du tiroir-réchaud, le poids du produit doit être réparti sur les bords du tiroir-réchaud.
- Les produits au-dessus desquels reposent les «pieds» ne peuvent être installés que si les pieds du produit se trouvent à moins de 2 3/4" (70mm) des côtés du tiroir-réchaud, car cette zone est renforcée. Si vous ne le faites pas, vous risquez d'endommager le tiroir-réchaud et le produit associé.

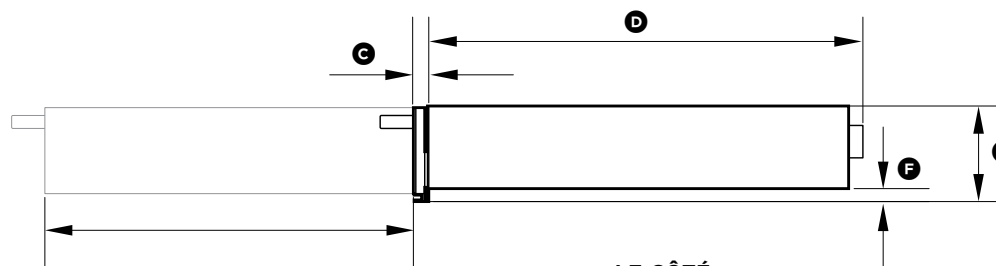


**Le tiroir-réchaud peut supporter un poids maximum de 132 lb (60 kg)**

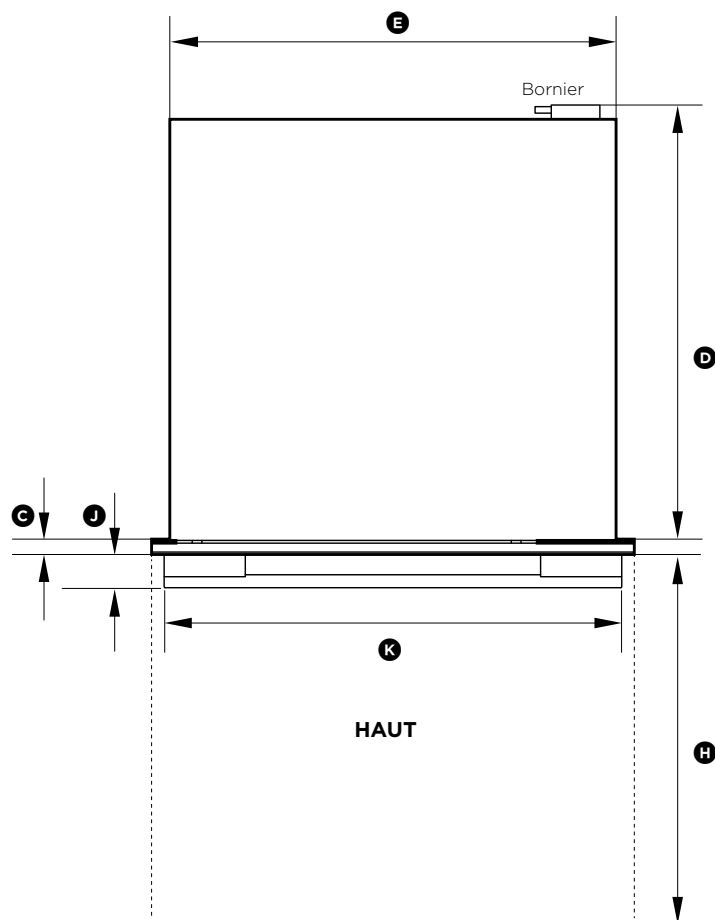
## 4 DIMENSIONS DU PRODUIT



AVANT



LE CÔTÉ

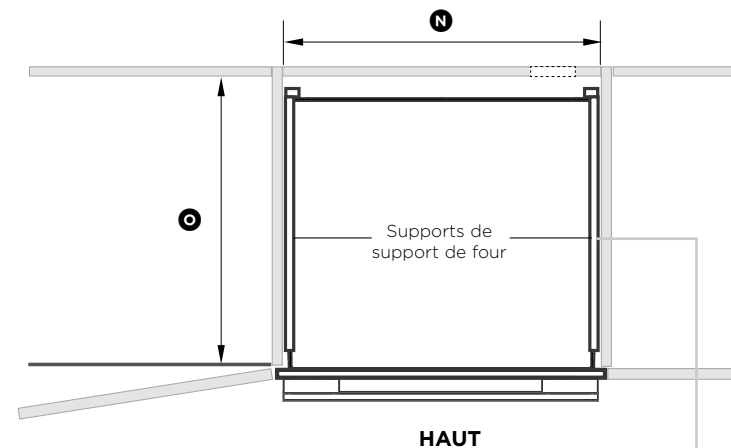
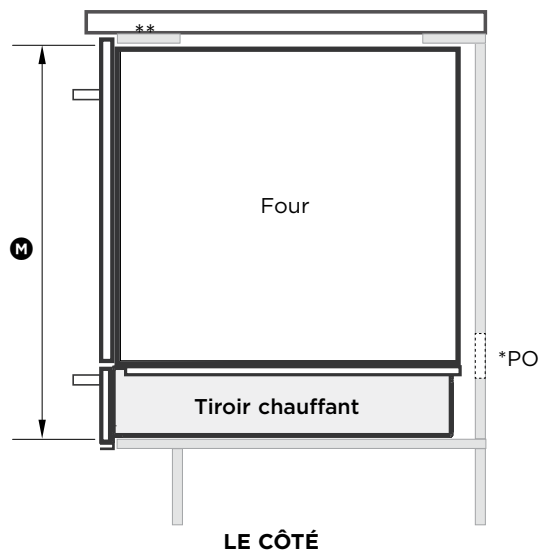
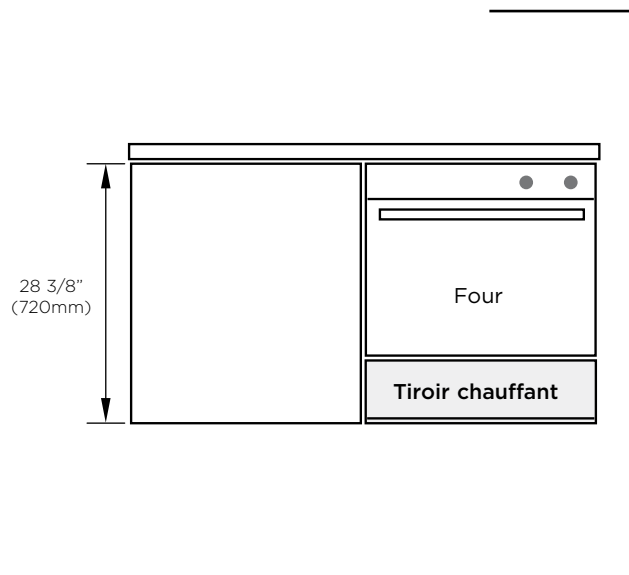


HAUT

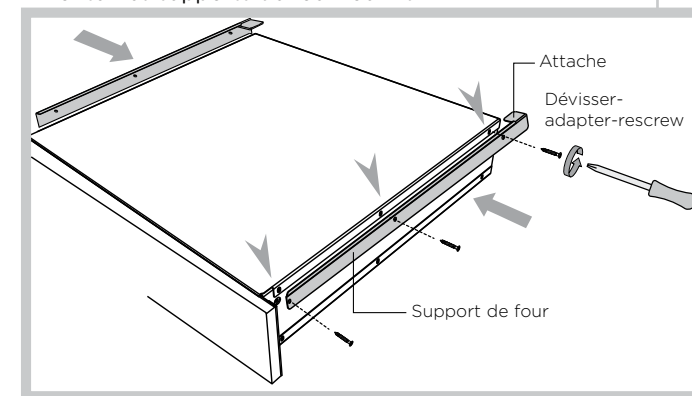
DIMENSIONS DU PRODUIT	MODÈLE WB24SDEB	MODÈLE WB24SDEX
	Pouces (mm)	Pouces (mm)
(A) Hauteur totale du produit	4 5/8" (118)	4 5/8" (118)
(B) Largeur totale du produit	23 1/2" (596)	23 1/2" (596)
(C) Profondeur du panneau avant du tiroir (à l'exclusion de la poignée)*	13/16" (20)	7/8" (22)
(D) Profondeur du châssis (y compris le bornier)	21 1/8" (536)	21 1/8" (536)
(E) Largeur du châssis à l'arrière	21 3/4" (551)	21 3/4" (551)
(F) Hauteur entre le panneau inférieur du tiroir et le bas du châssis arrière	5/8" (16)	5/8" (16)
(G) Hauteur entre le bas du panneau du tiroir et le haut du châssis	4 5/8" (118)	4 5/8" (118)
(H) Profondeur du tiroir (ouverte) (mesurée depuis l'avant du tiroir)	17 7/8" (455)	17 7/8" (455)
(I) Hauteur du panneau avant du tiroir	4 5/8" (116)	4 5/8" (116)
(J) Profondeur de la poignée mesurée depuis l'avant du tiroir	1 5/8" (41)	1 5/8" (41)
(K) Largeur de la poignée	22 1/4" (565)	22 1/4" (565)

## LES PAGES SUIVANTES DÉTAIL SCÉNARIOS D'ARMOIRES COMMUNES

### 5 A DIMENSIONS DE L'ARMOIRE - UNDERBENCH (ie INSTALLÉ AVEC F&P FOUR UNIQUE)



Monter les supports de four fournis



#### CABINETRY DIMENSIONS

	Pouces (mm)
Ⓜ Hauteur intérieure minimale de la cavité	27" (687)
Ⓝ Largeur intérieure de la cavité	22" (560)
Ⓞ Profondeur intérieure minimale de la cavité	22 1/4" (565)

Remarque: Lorsqu'il est installé en combinaison avec un produit compagnon, le produit compagnon peut être placé directement sur le tiroir chauffant. Il n'est pas nécessaire de placer une étagère entre les produits. Une étagère intégrée à la base des armoires pouvant supporter le poids des deux produits est requise.

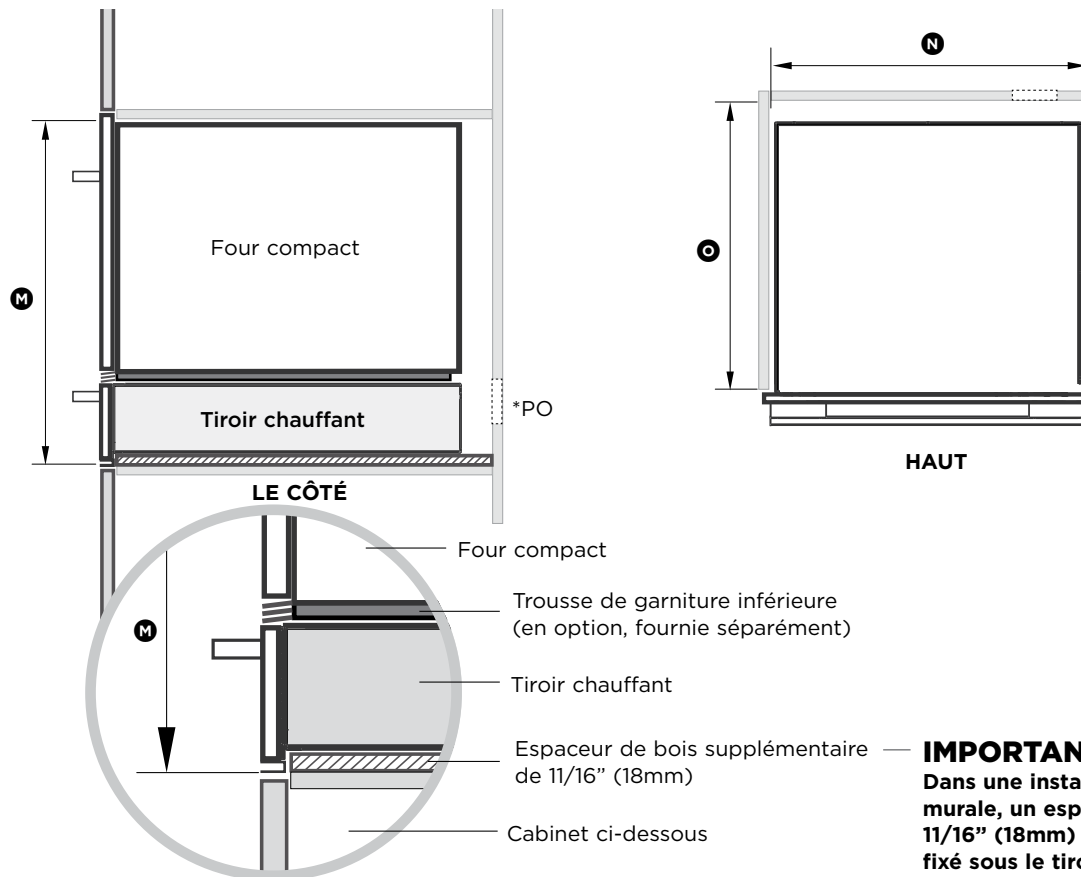
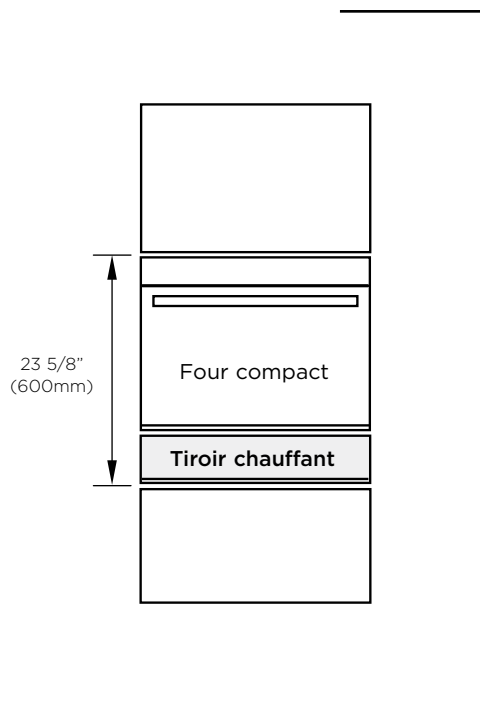
\* PO - PRISE DE COURANT. Assurez-vous qu'il y a une prise de courant mise à la terre accessible à moins de 35 7/16" (900mm) de l'arrière du centre du produit.

#### IMPORTANT!

Si vous installez sous un four, vous devez d'abord monter les deux supports de four fournis sur les côtés du tiroir-réchaud. Les supports aident à soutenir l'arrière du four. Dévissez les 3 vis supérieures de chaque côté, fixez les supports avec les languettes vers l'intérieur comme indiqué et revissez.

Remarque: Les vis peuvent ne pas être identiques. Remplacez chaque vis dans sa position d'origine.





**IMPORTANT!**  
 Dans une installation murale, un espaceur de 11/16" (18mm) doit être fixé sous le tiroir chauffant pour le relever à la hauteur requise.

**CABINETRY DIMENSIONS**

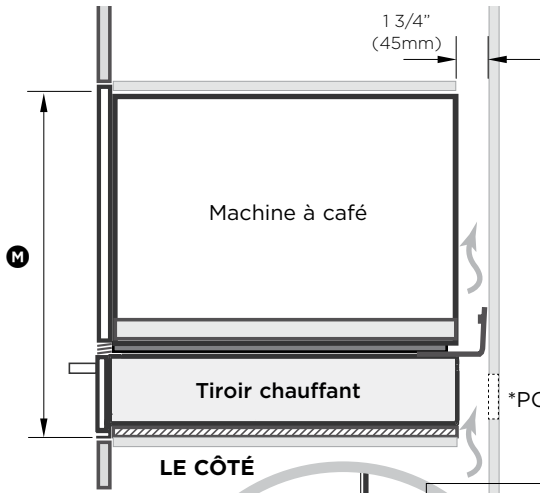
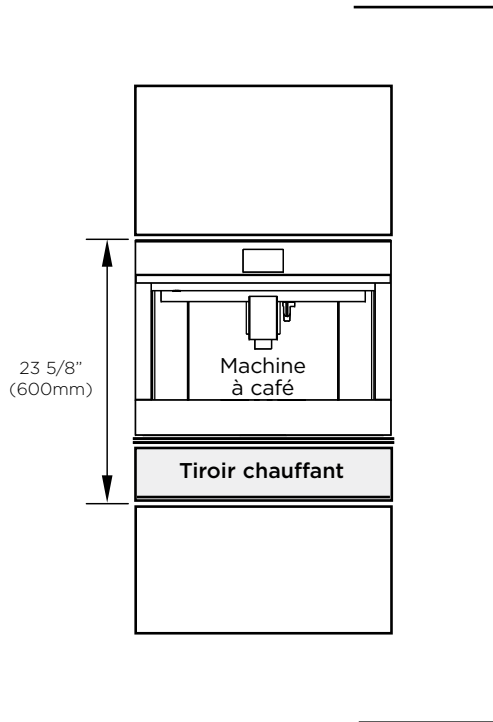
	Pouces (mm)
Ⓜ Hauteur intérieure minimale de la cavité avec kit de garniture inférieure en option	23 1/4" (590)
Ⓜ sans kit de garniture inférieure en option	22 1/2" (570)
Ⓝ Largeur intérieure de la cavité	22" (560)
Ⓞ Profondeur intérieure minimale de la cavité	22 1/4" (565)

Remarque: Lorsqu'il est installé en combinaison avec un produit compagnon, le produit compagnon peut être placé directement sur le tiroir chauffant. Il n'est pas nécessaire de placer une étagère entre les produits. Une étagère intégrée à la base des armoires pouvant supporter le poids des deux produits est requise.

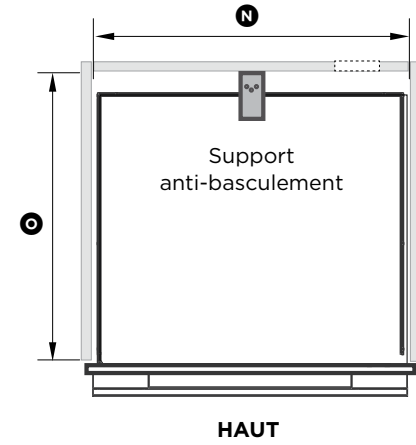
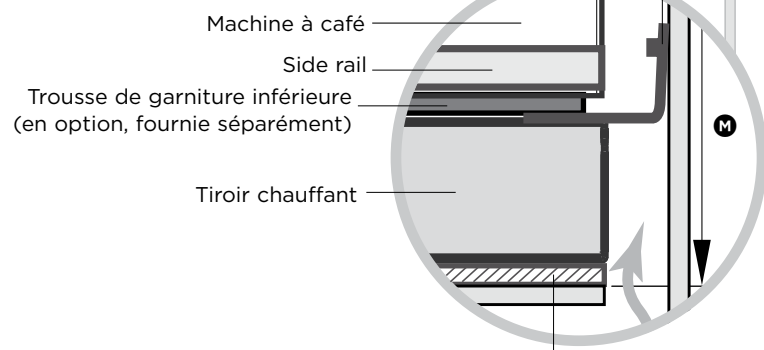
\* PO - PRISE DE COURANT. Assurez-vous qu'il y a une prise de courant mise à la terre accessible à moins de 35 7/16" (900mm) de l'arrière du centre du produit.

**IMPORTANT!**

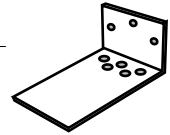
Si vous installez sous la cafetière F&P, assurez-vous qu'il y a un espace de 2"(50mm) à l'arrière de l'armoire et une découpe de 7 7/8"² (200mm²) pour le passage de l'air. Reportez-vous aux instructions d'installation du fabricant de café.



**LE CÔTÉ**



**HAUT**



Support anti-basculement fourni (vissé sur la paroi arrière)

**IMPORTANT!**

Lors de l'installation sous une cafetière F&P, vous devez vous assurer que le support antibasculement fourni est installé, à moins qu'il n'y ait une tablette fixe au-dessus du tiroir faisant office d'obstacle anti-basculement.

Espaceur de bois supplémentaire de 11/16" (18mm)

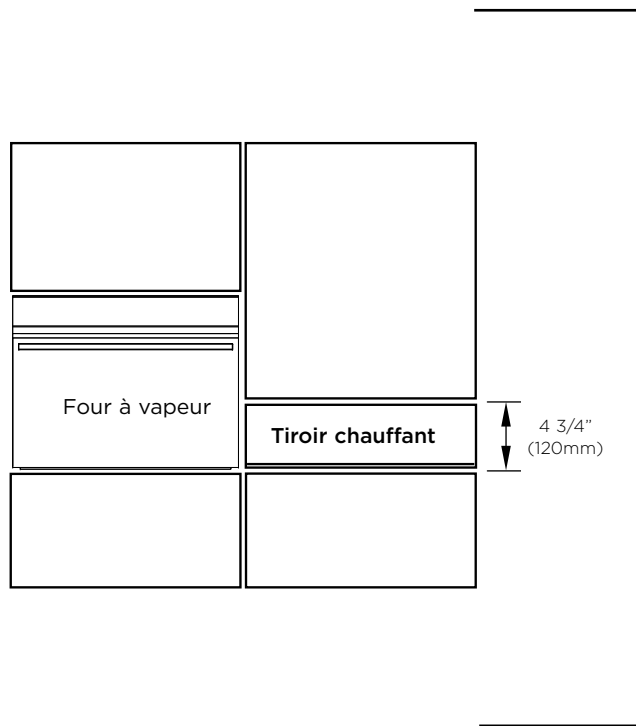
**IMPORTANT!**

Dans une installation murale, un espaceur de 11/16" (18mm) doit être fixé sous le tiroir chauffant pour le relever à la hauteur requise.

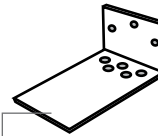
CABINETSRY DIMENSIONS		Pouces (mm)
Ⓜ	Hauteur intérieure minimale de la cavité avec kit de garniture inférieur en option sans kit de garniture inférieur en option	23 1/4" (590) 22 1/2" (570)
Ⓝ	Largeur intérieure de la cavité	22" (560)
Ⓞ	Profondeur intérieure minimale de la cavité	22 1/4" (565)

Remarque: Lorsqu'il est installé en combinaison avec un produit compagnon, le produit compagnon peut être placé directement sur le tiroir chauffant. Il n'est pas nécessaire de placer une étagère entre les produits. Une étagère intégrée à la base des armoires pouvant supporter le poids des deux produits est requise.

\* PO - PRISE DE COURANT. Assurez-vous qu'il y a une prise de courant mise à la terre accessible à moins de 35 7/16" (900mm) de l'arrière du centre du produit.

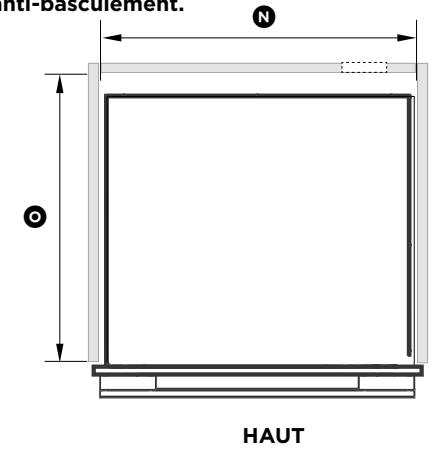
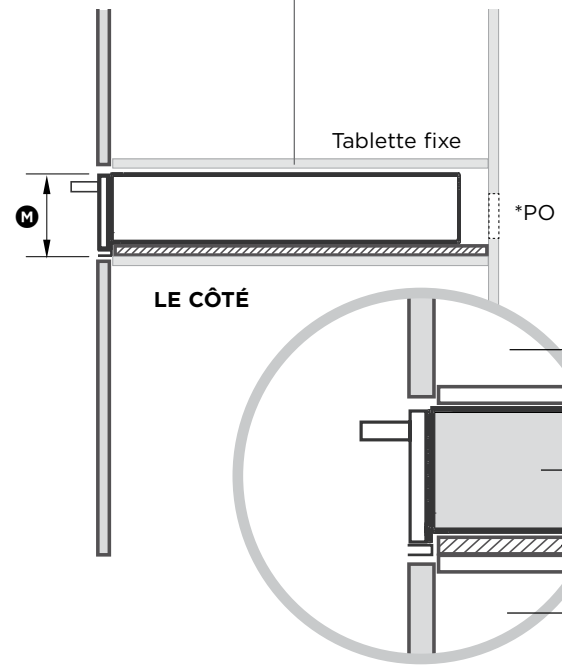


Support anti-basculement fourni  
(vissé sur la paroi arrière)



**IMPORTANT!**

Dans une installation murale autonome, vous devez vous assurer que le support antibasculement fourni est installé à moins qu'une étagère fixe agisse au-dessus comme un obstacle anti-basculement.



**IMPORTANT!**

Dans une installation murale, un espaceur de 11/16" (18mm) doit être fixé sous le tiroir chauffant pour le relever à la hauteur requise.

CABINERY DIMENSIONS		Pouces (mm)
Ⓜ	Hauteur intérieure de la cavité	4 3/4" (120)
Ⓝ	Largeur intérieure de la cavité	22" (560)
Ⓞ	Profondeur intérieure minimale de la cavité	21 1/2" (545)

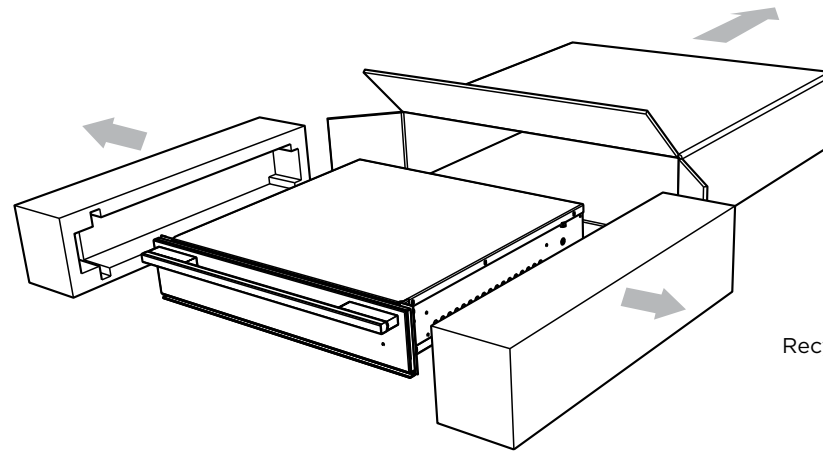
\* PO - PRISE DE COURANT. Assurez-vous qu'il y a une prise de courant mise à la terre accessible à moins de 35 7/16" (900mm) de l'arrière du centre du produit.

## ⑥ JETER L'EMBALLAGE DE MANIÈRE RESPONSABLE

Déballer le tiroir chauffant et inspecter pour déceler tout signe de dommage. N'installez pas le tiroir chauffant s'il a été endommagé.

### IMPORTANT!

Les matériaux d'emballage (sacs en plastique, mousse de polystyrène, agrafes, sangles d'emballage, etc.) et les outils ne doivent pas être laissés en place pendant et après l'installation, surtout s'ils sont facilement accessibles aux enfants, car ils peuvent causer des blessures graves.

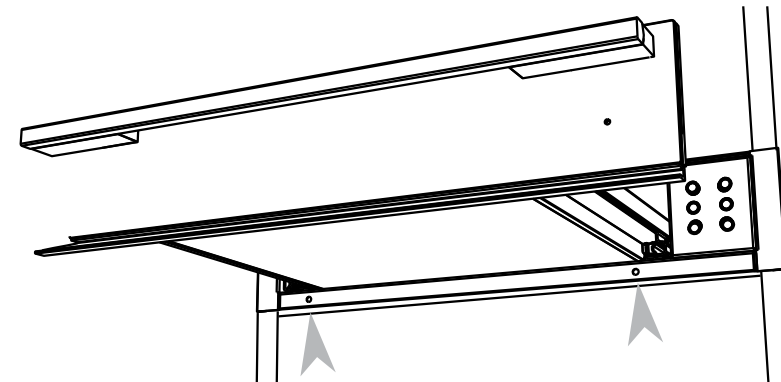


Recycler de manière responsable

## ⑦ MARQUER ET PRÉ-PERCER LES TROUS POUR FIXER LE TIROIR-RÉCHAUD

### IMPORTANT!

Ne soulevez pas le tiroir chauffant par la poignée du tiroir.



## ⑧ CONNECTEZ LE TIROIR CHAUFFANT À L'ALIMENTATION SECTEUR

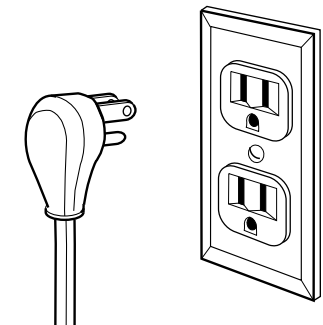
### IMPORTANT!

- Tous les travaux électriques doivent être effectués uniquement par des personnes qualifiées et compétentes conformément aux réglementations de sécurité nationales et locales.
- Ce tiroir chauffant doit être mis à la terre.

Avant de placer le tiroir chauffant dans la cavité, faites passer le cordon d'alimentation à l'arrière de la cavité et branchez-le à la prise commutée. La prise commutée doit se trouver dans une zone facilement accessible à moins de 900mm (35 7/16mm) de l'arrière du produit.

### Besoins d'alimentation

Code du modèle	Courant	Voltage	Wattage
<b>WB24</b>	<b>4A</b>	<b>208-240V</b>	<b>832-960W</b>



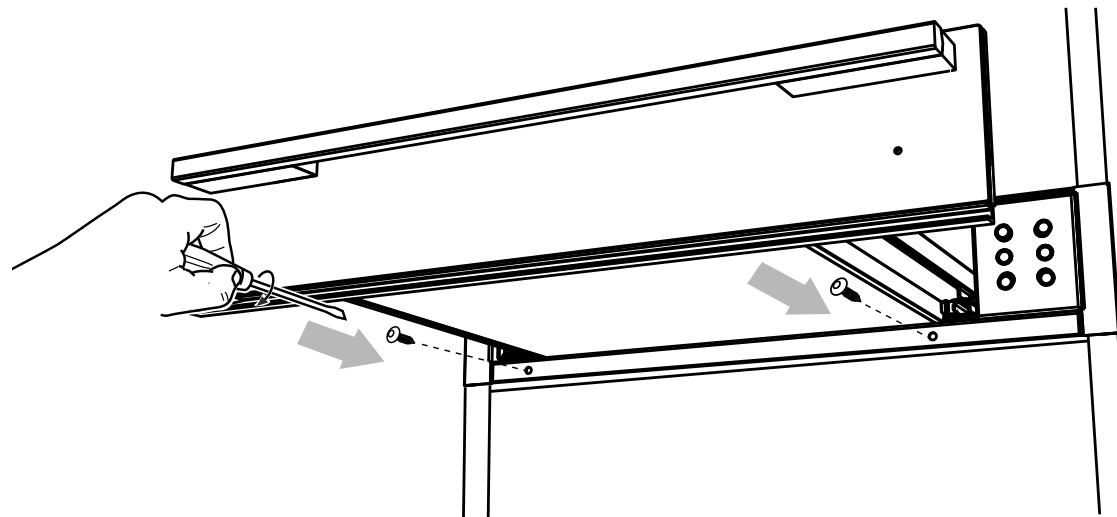
## ⑨ FIXEZ LE TIROIR CHAUFFANT AUX ARMOIRES

- ① Assurez-vous que le tiroir chauffant est de niveau et positionné dans la cavité.

### IMPORTANT!

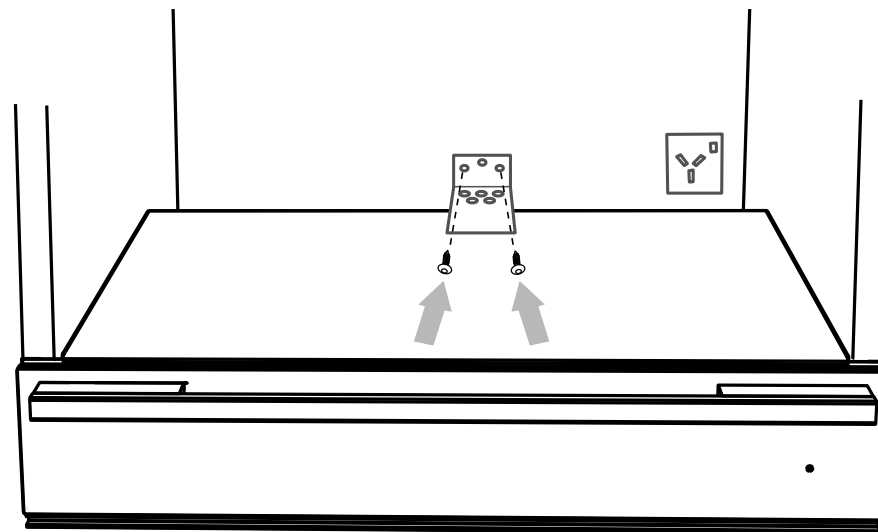
Ne soulevez pas le tiroir chauffant par la poignée du tiroir.

- ② Ouvrez complètement le tiroir.  
③ Fixez le tiroir chauffant en place avec les deux vis fournies, à travers la garniture avant, sous le tiroir. Ne pas trop serrer les vis.



## ⑩ FIXEZ LE SUPPORT ANTI-BASCULEMENT (EN OPTION EN FONCTION DE LA CONFIGURATION DE L'ARMOIRE)

Si le support anti-basculement est requis (voir les exemples de scénarios), fixez d'abord le produit à l'avant, puis placez le support centralement à l'arrière de la cavité et placez-le sur le dessus du châssis. Fixez-le à la paroi arrière de l'armoire à l'aide des vis fournies.



✓ **A REMPLIR PAR L'INSTALLATEUR**

- Assurez-vous que le tiroir-réchaud est de niveau et solidement fixé aux armoires.
- Assurez-vous que tout emballage interne a été retiré du tiroir.
- Assurez-vous que l'interrupteur d'isolement est accessible au client.
- Assurez-vous que le support anti-basculement a été correctement installé si nécessaire.
- Si vous installez un four directement sur le dessus du tiroir chauffant, assurez-vous que les supports de four fournis ont été installés sur le tiroir chauffant.

**OPERATION DE TEST:**

- Ouvrez le tiroir et appuyez sur le ① bouton pour allumer le tiroir-réchaud. Le halo marche / arrêt et le réglage de la température 2 ( II ) halo doivent s'allumer en rouge.

Ferme le tiroir.

Après 5-10 minutes, ouvrez le tiroir. Les surfaces internes du tiroir doivent être légèrement réchauffées.

Appuyez sur le ① bouton pour éteindre le tiroir chauffant et fermer le tiroir.

Compléter et conserver pour référence sûre:

Modèle \_\_\_\_\_

Numéro de série \_\_\_\_\_

Date d'achat \_\_\_\_\_

Acheteur \_\_\_\_\_

Adresse du concessionnaire \_\_\_\_\_

Nom de l'installateur \_\_\_\_\_

Signature de l'installateur \_\_\_\_\_

Compagnie d'installation \_\_\_\_\_

Date d'installation \_\_\_\_\_

**FISHERPAYKEL.COM**

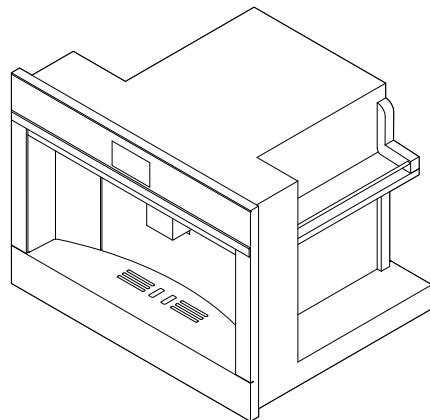
© Fisher & Paykel Appliances 2017. Tous droits réservés.  
Les caractéristiques de produit présentées dans ce livret s'appliquent aux modèles et produits spécifiques qui y sont décrits à la date de publication. Dans le cadre de notre politique d'amélioration en permanence de nos produits, ces caractéristiques peuvent être modifiées à tout moment. Nous vous recommandons de vérifier auprès de votre détaillant que ce livret décrit le produit actuellement disponible.



# MACHINE À CAFÉ

---

Modèles EB24





# CONSIGNES DE SÉCURITÉ IMPORTANTES!

## Installation

**⚠ AVERTISSEMENT!**



**Couper le danger**  
**Attention – certains bords sont coupants.**  
**Ne pas faire preuve de prudence peut entraîner des blessures ou des coupures.**

### Vérification des dommages de transport

Après avoir retiré l'emballage, assurez-vous que le produit est complet et non endommagé et que tous les accessoires sont présents. N'utilisez pas l'appareil s'il est visiblement endommagé. Contacter le service client.

### IMPORTANT!

- L'installation doit être effectuée par un professionnel qualifié conformément à la législation en vigueur dans le pays d'installation.
- N'installez jamais l'appareil dans une pièce où la température peut descendre à 0°C (32°F) ou moins.
- Cet appareil peut être installé sur un four encastrable si celui-ci est équipé d'un ventilateur de refroidissement à l'arrière (puissance maximale micro-ondes: 3 kW).
- Assurez-vous que l'appareil est entièrement sécurisé. Ne pas le faire peut entraîner un produit instable, ce qui peut causer des dommages ou des blessures.
- Connectez-le à un circuit d'alimentation correctement dimensionné, protégé et dimensionné pour éviter une surcharge électrique.
- Assurez-vous que le cordon d'alimentation est situé de façon à ne pas marcher, trébucher ou subir des dommages ou des contraintes.

### Connexion de l'appareil

Cet appareil doit être connecté à un circuit qui comprend un interrupteur d'isolation assurant une déconnexion complète de l'alimentation électrique.

### DANGER!

- Vérifiez que la tension d'alimentation secteur correspond à la valeur indiquée sur la plaque signalétique au bas de l'appareil.
- Branchez l'appareil à une prise correctement mise à la terre et correctement installée avec un courant nominal minimum de 10A seulement.
- Si la prise d'alimentation ne correspond pas à la prise de l'appareil, faites-la remplacer par un professionnel qualifié.
- Pour respecter les consignes de sécurité, un interrupteur omnipolaire avec une distance de contact minimale de 1/8" (3mm) doit être installé.
- N'utilisez pas plusieurs prises ou extensions.
- Les dispositifs de coupure de sécurité doivent être inclus dans l'alimentation secteur conformément aux réglementations d'installation du pays concerné.
- Cet appareil est conforme au Règlement EC 1935/2004 sur les matériaux et objets destinés à entrer en contact avec les aliments.

## ENTRETIEN

- Ne réparez ou ne remplacez aucune pièce de l'appareil et n'essayez pas d'entretien à moins d'une recommandation spécifique dans ce guide de l'utilisateur.
- Nous vous recommandons de contacter le service clientèle pour organiser le service. Consultez votre brochure "Service et garantie" pour les coordonnées.
- Pour éviter d'endommager l'appareil, n'utilisez pas de détergents alcalins lors du nettoyage. Utilisez un chiffon doux et un détergent doux.
- Si la fiche ou le câble d'alimentation est endommagé, il doit être remplacé par un technicien autorisé uniquement pour éviter tout risque.
- Appareils avec cordon amovible: évitez les éclaboussures d'eau sur le connecteur du cordon d'alimentation ou sur la prise située à l'arrière de l'appareil.
- Ne placez pas de poids sur la machine à café lorsqu'elle est hors de l'armoire.
- Ne placez pas de récipients contenant des liquides ou des matériaux inflammables ou corrosifs sur l'appareil.
- Ne laissez pas d'objets volumineux qui pourraient gêner le mouvement ou des objets instables sur l'appareil.
- N'éteignez jamais la machine pendant le détartrage.
- La première fois que vous utilisez l'appareil, ou s'il n'est pas utilisé pendant plus de trois ou quatre jours, rincez tous les accessoires amovibles qui peuvent entrer en contact avec de l'eau ou du lait avec de l'eau chaude.
- Si l'appareil n'est pas utilisé pendant plus de trois ou quatre jours, avant de réutiliser l'appareil, rincez le circuit d'eau comme décrit dans ce manuel.
- Vous devez effectuer avec diligence un nettoyage automatique et une maintenance guidée lorsque l'appareil vous le demande à travers l'écran comme décrit dans ce manuel.
- Risque d'étouffement. L'appareil peut contenir de petites pièces. Certaines de ces petites pièces peuvent être démontées lors des opérations de nettoyage et d'entretien.
- Manipuler avec soin et garder les petites pièces hors de portée des enfants.
- Le nettoyage et la maintenance par l'utilisateur ne doivent pas être effectués par des enfants sans surveillance.

### Disposition

L'appareil ne doit pas être mis au rebut avec les ordures ménagères mais emmené dans un centre de tri et de recyclage des déchets agréé.

### Opérationnel

- Personnalisez la dureté de l'eau dès que possible en suivant les instructions de la section «Dureté de l'eau».
- Gardez les mains à l'écart de l'écoulement du café en cours de fonctionnement. La température du liquide qui s'écoule du bec peut entraîner des brûlures.
- Pendant le cycle de rinçage, l'eau chaude s'écoule du bec. Veuillez garder vos mains à l'écart du bec pour éviter tout risque de brûlure.
- Cet appareil produit de l'eau chaude et de la vapeur peut se former pendant son fonctionnement.
- Modèles avec surfaces vitrées: n'utilisez pas l'appareil si la surface est fissurée.
- N'utilisez pas l'appareil lorsqu'il est à l'extérieur de l'armoire. Assurez-vous que l'appareil est éteint avant de l'extraire. La seule exception est le réglage du moulin à café qui doit être fait avec la machine extraite (voir la section «Réglage du moulin à café»).

Remarque: Utilisez uniquement des accessoires et pièces de rechange d'origine ou recommandés par le fabricant.

### IMPORTANT!

### CONSERVEZ CES INSTRUCTIONS

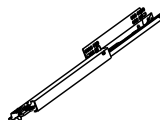
Les modèles présentés dans ce guide d'installation peuvent ne pas être disponibles sur tous les marchés et peuvent être modifiés à tout moment. Pour plus d'informations sur la disponibilité des modèles et des spécifications dans votre pays, rendez-vous sur notre site Internet [fisherpaykel.com](http://fisherpaykel.com) ou contactez votre revendeur local Fisher & Paykel.

## ② PIÈCES FOURNIES

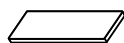


Des vis  
(7)

Rails (2)



Agrafe (1)



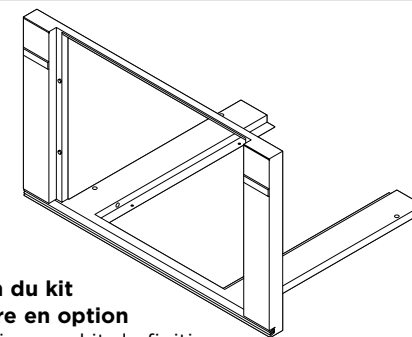
Espaceurs  
(4) pour le côté  
(4) pour le bas

## ③ AVANT L'INSTALLATION

- La cavité du comptoir et de la cafetière sont carrées et de niveau, et sont les dimensions requises.
- L'installation sera conforme à toutes les exigences de dégagement et aux normes et règlements applicables.
- L'interrupteur d'isolement sera facilement accessible au client avec la cafetière installée.
- L'électricien fournit suffisamment de longueur libre du câble d'alimentation pour atteindre l'arrière de la cavité à au moins 59 1/16" (1.5 m) devant le bord inférieur de l'ouverture.
- Le câble peut entrer dans la cavité par le côté, le haut ou le bas, mais l'entrée supérieure doit être à l'arrière de la cavité.
- La prise de connexion de la cafetière (si installée) est à l'extérieur de la cavité si le four affleure la paroi arrière.
- La cafetière repose sur une surface pouvant supporter son poids.
- La hauteur du sol convient au client.
- Vous consultez les autorités locales de construction et les règlements en cas de doute concernant l'installation.

### IMPORTANT!

**Certains facteurs environnementaux et habitudes de cuisson peuvent provoquer de la condensation dans et autour de la cafetière pendant l'utilisation. Pour protéger les armoires environnantes des dommages possibles causés par une condensation fréquente ou excessive, nous recommandons d'imperméabiliser la cavité.**



### Installation du kit de garniture en option

Si vous utilisez un kit de finition de 30" (762mm), reportez-vous au Guide d'installation du kit de finition séparé.

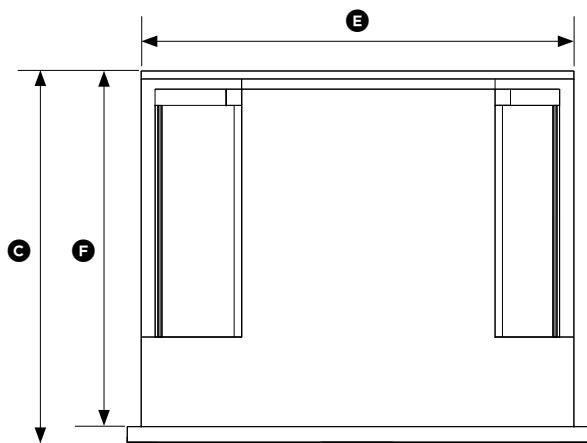
## ④ APRÈS L'INSTALLATION

### IMPORTANT!

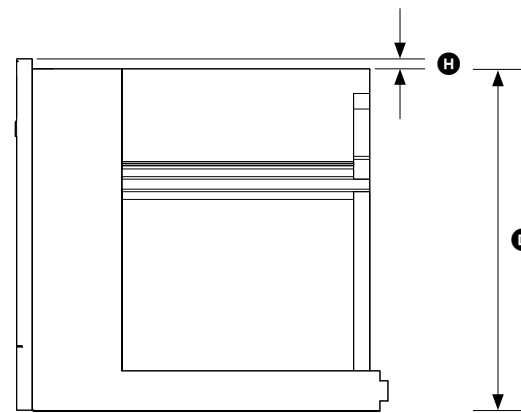
**Veillez à ne pas endommager la partie inférieure de l'appareil pendant l'installation. La garniture est importante pour une circulation d'air correcte et permet à la porte de s'ouvrir et de se fermer sans obstruction. Le fabricant décline toute responsabilité pour les dommages résultant d'une installation incorrecte.**

- La cafetière peut être utilisée complètement sans obstruction.
- Le câble d'alimentation ne touche aucune pièce métallique chaude.
- L'interrupteur d'isolement est facilement accessible au client avec la cafetière installée.
- Vous remplissez la «liste de contrôle finale» à la fin de l'installation.
- Si, après avoir suivi les instructions données, les performances correctes ne peuvent pas être atteintes, veuillez contacter le centre de service après-vente agréé Fisher & Paykel le plus proche, ou contactez-nous via notre site Web local indiqué à la fin de ce document.

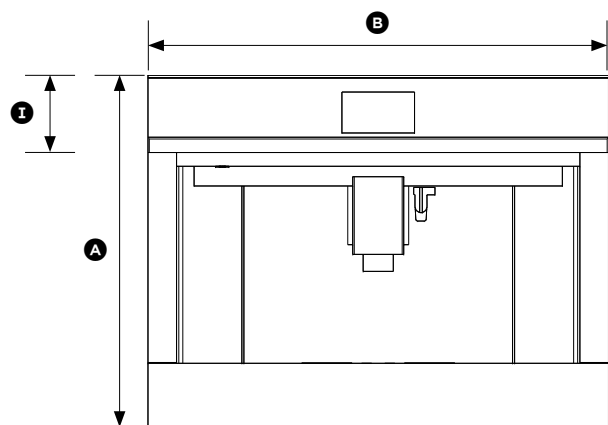
## 5 DIMENSIONS DU PRODUIT



HAUT



LE CÔTÉ



Avant

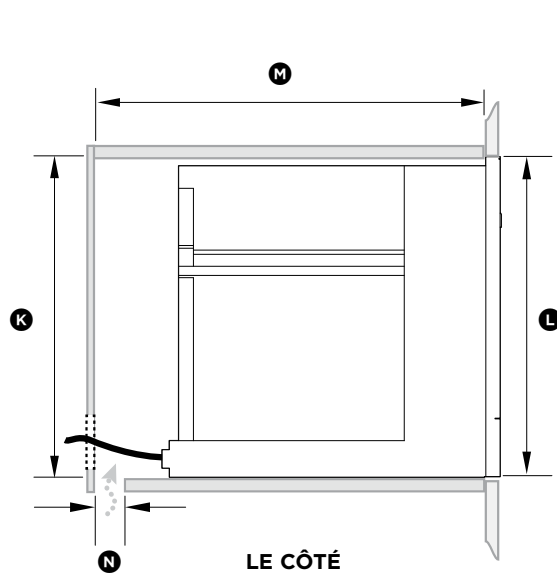
DIMENSIONS DU PRODUIT	MODÈLES EB24
	Pouces (mm)
(A) Hauteur totale du produit	18" (458)
(B) Largeur totale du produit	23 1/2" (596)
(C) Profondeur totale du produit (à l'exclusion des cadrans)	18 7/8" (480)
(D) Hauteur du châssis	17 1/2" (445)
(E) Largeur du châssis	22 1/16" (560)
(F) Profondeur du châssis	18 1/8" (460)
(G) Profondeur du cadre de la cafetière et du panneau de commande	13/16" (20)
(H) Panneau de contrôle Stepdown au châssis	1/2" (13)
(I) Hauteur du panneau de contrôle	4" (100)

## 6 A DIMENSIONS DE L'ARMOIRE (CAVITÉ DE 18 1/8" (460MM) DE HAUTEUR)

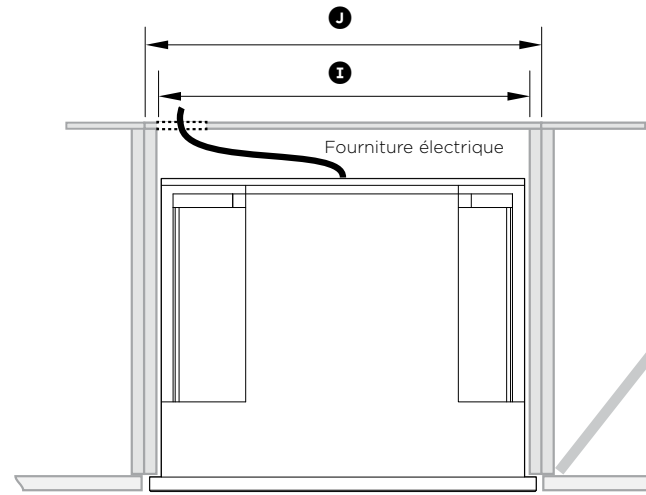
Vérifiez les mesures minimales requises pour une installation correcte de l'appareil. La cafetière doit être installée dans une colonne et la colonne doit être fermement fixée au mur avec des supports disponibles dans le commerce.

### IMPORTANT!

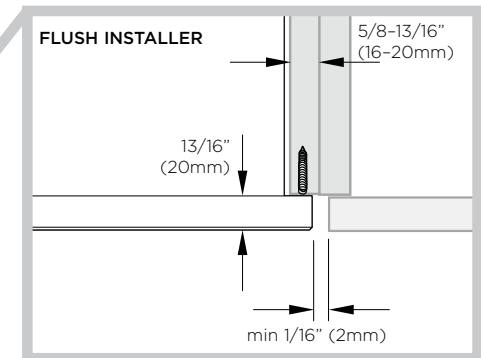
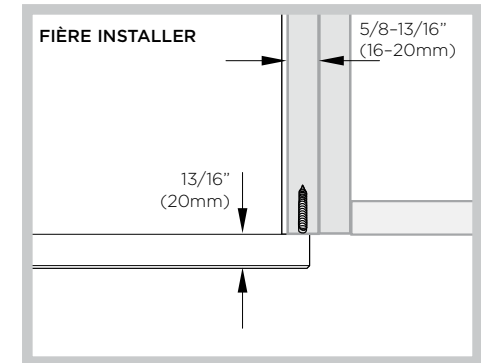
- Toutes les opérations d'installation ou de maintenance doivent être effectuées avec l'appareil déconnecté du secteur.
- Les meubles de cuisine en contact direct avec l'appareil doivent résister à la chaleur de 149°F min (65°C min).
- Pour garantir une ventilation correcte, laissez un espace au fond de l'armoire (voir mesures ci-dessous).



LE CÔTÉ



HAUT



### CABINETRY DIMENSIONS

### MODÈLES EB24

#### Pouces (mm)

Ⓢ	Largeur intérieure minimale de la cavité	22 1/16" (560)
Ⓣ	Largeur totale des armoires	23 5/8" (600)
Ⓚ	Hauteur intérieure minimale de la cavité	17 3/4" (450)
Ⓛ	Hauteur totale des armoires	18 1/8" (460)
Ⓜ	Profondeur intérieure minimale de la cavité	21 7/16" (545)
Ⓝ	Ventilation d'aération	2" (50)

Remarque: Si vous installez une table de cuisson au-dessus de la cafetière, assurez-vous que la surface de cuisson est suffisamment dégagée selon les instructions du fabricant de la table de cuisson.

## 6 B DIMENSIONS DE L'ARMOIRE (KIT DE GARNITURE DE CAVITÉ DE 18 7/8" (480MM))

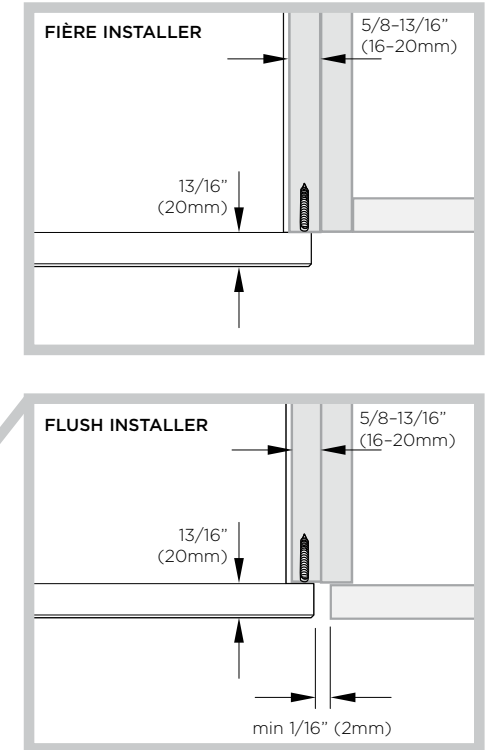
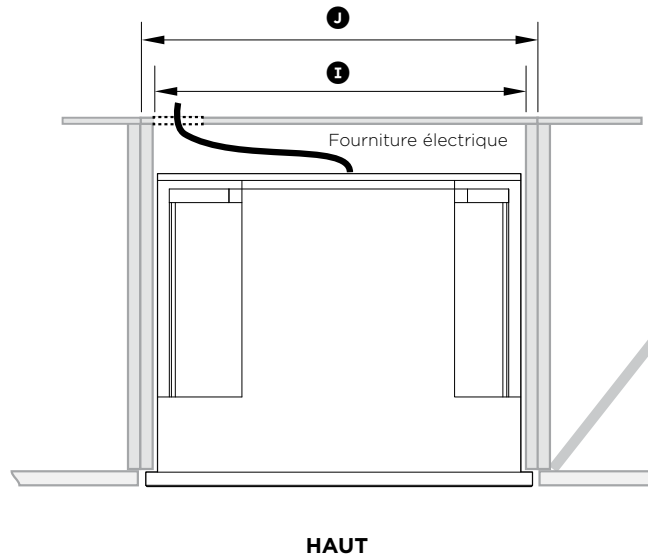
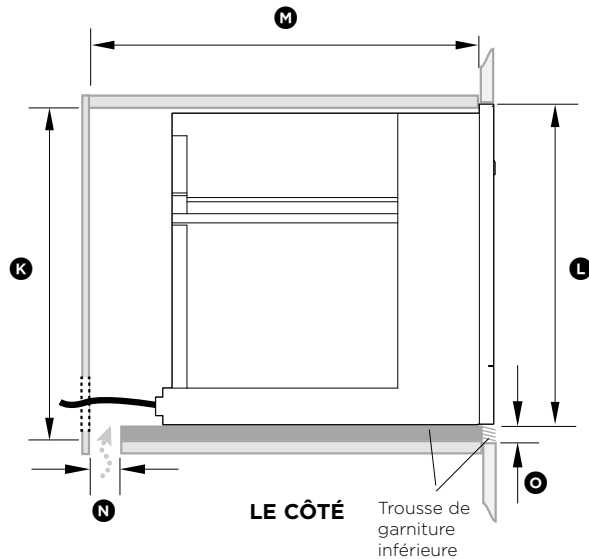
Vérifiez les mesures minimales requises pour une installation correcte de l'appareil. La cafetière doit être installée dans une colonne et la colonne doit être fermement fixée au mur avec des supports disponibles dans le commerce.

### Trousse de garniture inférieure

Le kit Lower Trim montré est disponible à commander séparément auprès de fisherpaykel.com. Pour installer le kit de finition, reportez-vous aux instructions qui l'accompagnent.

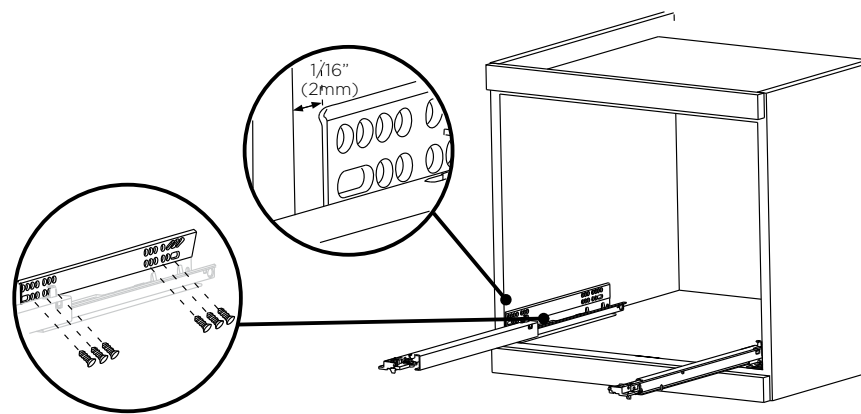
### IMPORTANT!

- Toutes les opérations d'installation ou de maintenance doivent être effectuées avec l'appareil déconnecté du secteur.
- Les meubles de cuisine en contact direct avec l'appareil doivent résister à la chaleur de 149°F min (65°C min).
- Pour garantir une ventilation correcte, laissez un espace au fond de l'armoire (voir mesures ci-dessous).

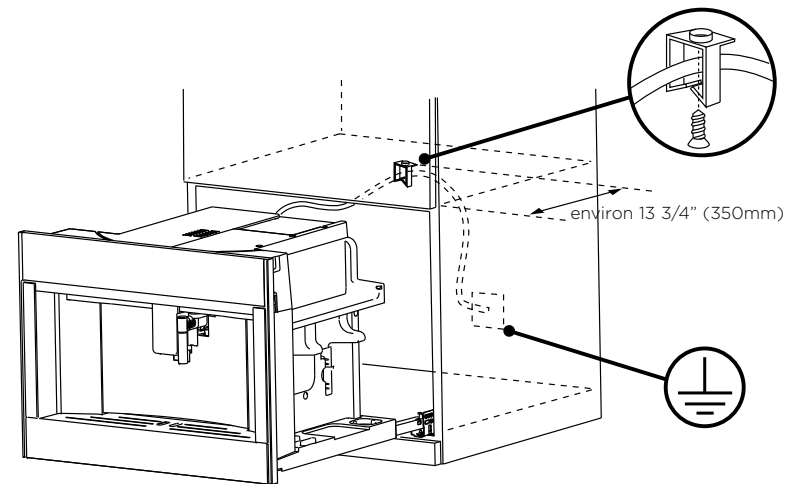


CABINETRY DIMENSIONS		MODÈLES EB24
		Pouces (mm)
Ⓢ	Largeur intérieure minimale de la cavité	22 1/16" (560)
Ⓝ	Largeur totale des armoires	23 5/8" (600)
Ⓚ	Hauteur intérieure minimale de la cavité	18 1/2" (470)
Ⓛ	Hauteur totale des armoires	18 7/8" (480)
Ⓜ	Profondeur intérieure minimale de la cavité	21 7/16" (545)
Ⓝ	Ventilation d'aération	2" (50)
Ⓞ	Hauteur du kit de finition	13/16" (20)

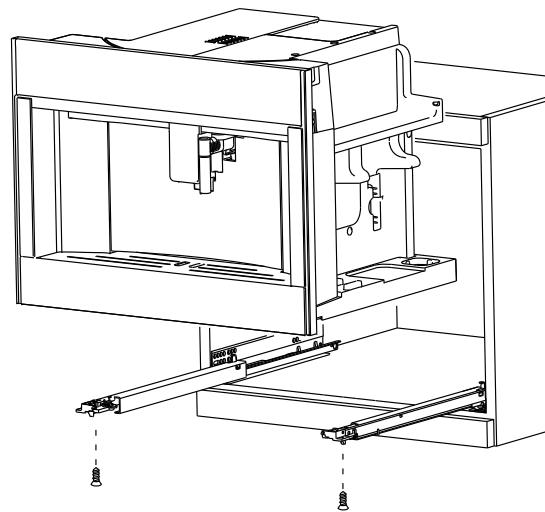
## ⑦ INSTRUCTIONS D'INSTALLATION



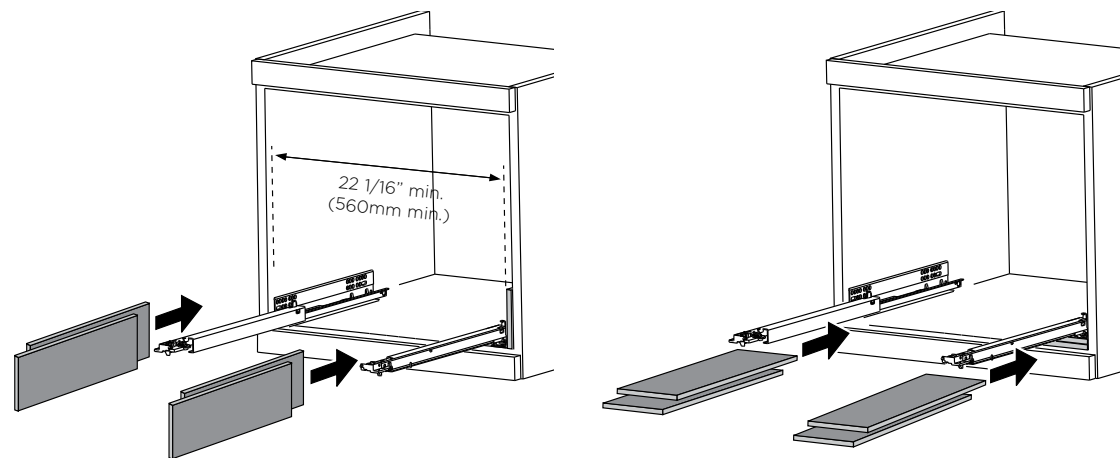
- ① Positionnez les rails sur les côtés de l'armoire. Fixer avec les vis fournies, puis les extraire complètement.
- Si la cafetière est installée sur un tiroir chauffant, utilisez la surface supérieure comme référence pour positionner les rails.
  - Dans ce cas, il n'y aura pas de surface sur laquelle reposer les rails.
  - Positionnez et fixez le crochet de verrouillage avec les quatre vis fournies, comme indiqué sur la figure.



- ② Fixez le câble d'alimentation avec le clip. Le câble d'alimentation doit être suffisamment long pour permettre à l'appareil d'être extrait de l'armoire pour remplir le conteneur de grains de café.
- L'appareil doit être mis à la terre conformément à la législation.
  - Les connexions électriques doivent être effectuées par un électricien qualifié en suivant les instructions.



- ③ Positionnez l'appareil sur les rails, en vous assurant que les broches sont correctement insérées dans les boîtiers, puis fixez-les avec les vis fournies. Si la hauteur de l'appareil nécessite un réglage, utilisez les disques d'espacement fournis.



- ④ Si nécessaire, corriger l'alignement de l'appareil en positionnant les entretoises fournies sous ou sur les côtés du support.

✓ **A REMPLIR PAR L'INSTALLATEUR**

- Assurez-vous que la cafetière est de niveau et solidement fixée aux armoires.
- Vérifiez que la garniture inférieure n'est pas endommagée.
- Vérifiez qu'il y a un dégagement suffisant. Ceci afin d'assurer une circulation d'air correcte.
- Assurez-vous que les attaches de câble et l'emballage interne ont été retirés de la cavité de la cafetière.
- Assurez-vous que toutes les ouvertures et toutes les ouvertures de la cafetière sont dégagées et qu'elles ne sont pas obstruées ou endommagées.

**IMPORTANT!**

**Si vous ne vous assurez pas que toutes les ouvertures d'aération sont dégagées, les performances du produit peuvent être médiocres.**

- Assurez-vous que l'interrupteur d'isolement est accessible au client.

**OPÉRATION DE TEST:**

- Mettez l'appareil sous tension. L'affichage devrait s'allumer.
- Avez-vous démontré l'opération de base au client?
- Remplissez le réservoir d'eau jusqu'au niveau indiqué.

Compléter et conserver pour référence sûre:

Modèle \_\_\_\_\_  
Numéro de série \_\_\_\_\_  
Date d'achat \_\_\_\_\_  
Acheteur \_\_\_\_\_  
Adresse du concessionnaire \_\_\_\_\_  
Nom de l'installateur \_\_\_\_\_  
Signature de l'installateur \_\_\_\_\_  
Compagnie d'installation \_\_\_\_\_  
Date d'installation \_\_\_\_\_

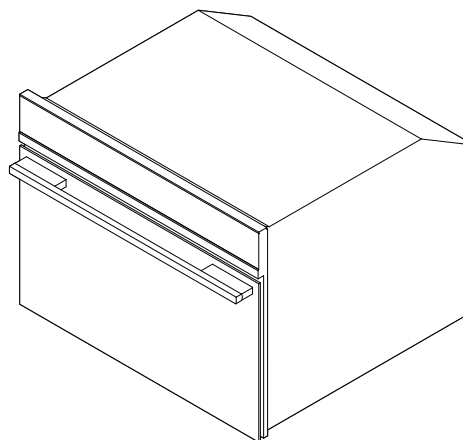
**FISHERPAYKEL.COM**

© Fisher & Paykel Appliances 2017. Tous droits réservés.  
Les caractéristiques de produit présentées dans ce livret s'appliquent aux modèles et produits spécifiques qui y sont décrits à la date de publication. Dans le cadre de notre politique d'amélioration en permanence de nos produits, ces caractéristiques peuvent être modifiées à tout moment. Nous vous recommandons de vérifier auprès de votre détaillant que ce livret décrit le produit actuellement disponible.

# FOUR À VAPEUR

---

Modèles OS24N





Installation

**⚠ AVERTISSEMENT!**



**Danger de choc électrique**  
 Avant d'effectuer tout travail sur la partie électrique de l'appareil, celui-ci doit être déconnecté du secteur.  
 La connexion à un bon système de mise à la terre est absolument essentielle et obligatoire.  
 Les modifications apportées au système de câblage domestique ne doivent être effectuées que par un électricien qualifié.  
 Le non-respect de ce conseil peut entraîner un choc électrique ou la mort.

**⚠ AVERTISSEMENT!**



**Risque d'incendie**  
 N'utilisez pas d'adaptateurs, de réducteurs ou de dispositifs de dérivation pour raccorder cet appareil à l'alimentation secteur.  
 Le non-respect de ce conseil peut entraîner une surchauffe, une brûlure ou un incendie.

**⚠ AVERTISSEMENT!**



**Couper le danger**  
 Attention - certains bords sont coupants.  
 Ne pas faire preuve de prudence peut entraîner des blessures ou des coupures.

## CONSIGNES DE SÉCURITÉ IMPORTANTES!

Pour éviter tout danger, suivez ces instructions attentivement avant d'installer ou d'utiliser cet appareil.

- Conservez ces instructions pour l'utilisation par les inspecteurs locaux.
- Veuillez mettre cette information à la disposition de la personne qui installe l'appareil, ce qui pourrait réduire vos coûts d'installation.
- Ce four doit être installé et connecté à l'alimentation électrique uniquement Personne autorisée.
- Si l'installation nécessite des modifications du système électrique domestique, appelez un électricien qualifié. L'électricien doit également vérifier que la section du câble de prise est adaptée à l'électricité tirée par le four.
- Le four doit être mis à la terre.
- L'installation doit être conforme aux réglementations locales en matière de construction et d'électricité.
- Cet appareil doit être installé et branché sur le secteur uniquement par une personne qualifiée conformément à ces instructions d'installation et conformément aux réglementations locales applicables en matière de construction et d'électricité. Si vous n'installez pas l'appareil correctement, cela pourrait invalider toute réclamation de garantie ou de responsabilité.
- Si le câble d'alimentation est endommagé, il doit être remplacé par le fabricant, son agent de service ou une personne de qualification similaire afin d'éviter tout danger.
- Un disjoncteur est recommandé.
- N'utilisez pas d'adaptateurs, de réducteurs ou de dispositifs de dérivation pour raccorder le four à l'alimentation secteur car ils peuvent provoquer une surchauffe et une brûlure.
- Assurez-vous que la cavité est complètement scellée sans espaces. Ceci permet de s'assurer que le système de refroidissement du four fonctionne correctement.

### Exigences électriques

- Connectez le four avec du fil de cuivre seulement.
- Ne pas couper le conduit.
- Un U.L. Le connecteur de conduit listé doit être fourni à la boîte de jonction.
- Ne pas broyer sur un tuyau de gaz.
- Ne pas avoir de fusible dans le circuit de mise à la terre ou dans le neutre.
- Fuse les deux côtés de la ligne.
- Un fusible temporisé ou un disjoncteur est recommandé. Si vous utilisez un fusible temporisé, fusionnez les deux côtés de la ligne.
- Le câble blindé flexible de l'appareil doit être connecté directement à la boîte de jonction.
- Connectez-le directement au disjoncteur à fusible (ou au boîtier du disjoncteur) par l'intermédiaire d'un câble en cuivre souple gainé, blindé ou non métallique (avec fil de mise à la terre).
- Si les codes le permettent et qu'un fil de mise à la terre distinct est utilisé, il est recommandé qu'un électricien qualifié détermine que le chemin de mise à la terre et la jauge de fil sont conformes aux codes locaux.

## IMPORTANT! CONSERVEZ CES INSTRUCTIONS

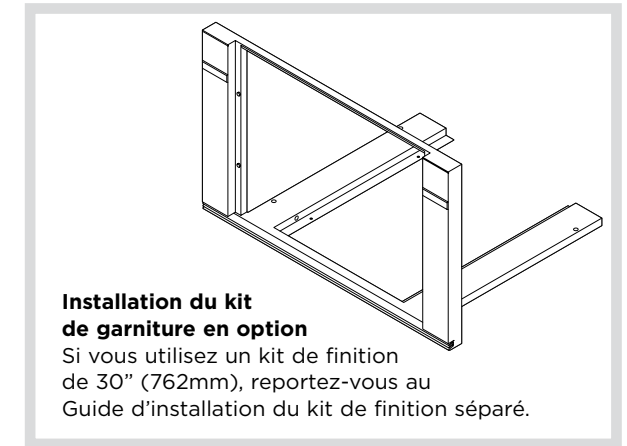
Les modèles présentés dans ce guide d'installation peuvent ne pas être disponibles sur tous les marchés et peuvent être modifiés à tout moment. Pour plus d'informations sur la disponibilité des modèles et des spécifications dans votre pays, rendez-vous sur notre site Internet [fisherpaykel.com](http://fisherpaykel.com) ou contactez votre revendeur local Fisher & Paykel.

## ② AVANT L'INSTALLATION

- Le comptoir et la cavité du four sont carrés et de niveau, et sont les dimensions requises.
- L'installation sera conforme à toutes les exigences de dégagement et aux normes et règlements applicables.
- L'interrupteur d'isolement sera facilement accessible au client avec le four installé.
- L'électricien fournit suffisamment de longueur libre du câble d'alimentation pour atteindre l'arrière de la cavité à au moins 59 1/16" (1.5 m) devant le bord inférieur de l'ouverture.
- Le câble peut entrer dans la cavité par le côté, le haut ou le bas, mais l'entrée supérieure doit être à l'arrière de la cavité.
- La prise de raccordement au four (si installée) est à l'extérieur de la cavité si le four affleure la paroi arrière.
- Le four reposera sur une surface pouvant supporter son poids.
- La hauteur du sol convient au client.
- Vous consultez les autorités locales de construction et les règlements en cas de doute concernant l'installation.

### **IMPORTANT!**

**Certains facteurs environnementaux et habitudes de cuisson peuvent provoquer de la condensation dans et autour du four pendant l'utilisation. Pour protéger les armoires environnantes des dommages possibles causés par une condensation fréquente ou excessive, nous recommandons d'imperméabiliser la cavité du four.**



### **Installation du kit de garniture en option**

Si vous utilisez un kit de finition de 30" (762mm), reportez-vous au Guide d'installation du kit de finition séparé.

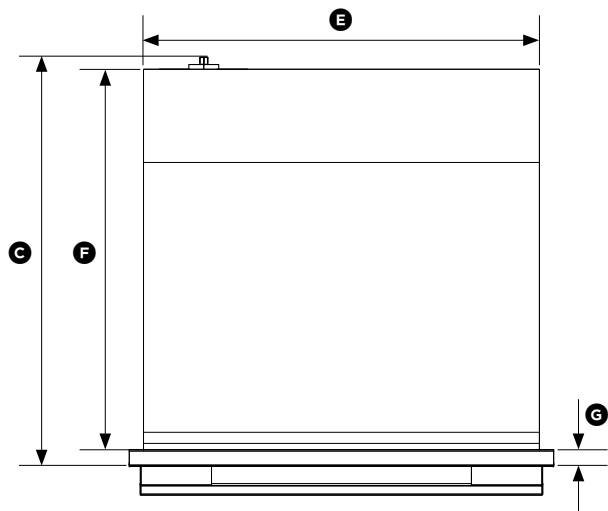
## ③ APRÈS L'INSTALLATION

### **IMPORTANT!**

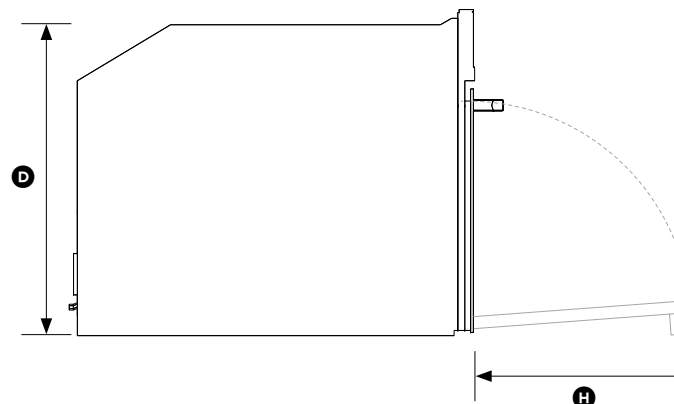
**Veillez à ne pas endommager la partie inférieure du four lors de l'installation. La garniture est importante pour une circulation d'air correcte et permet à la porte de s'ouvrir et de se fermer sans obstruction. Le fabricant décline toute responsabilité pour les dommages résultant d'une installation incorrecte.**

- La (les) porte (s) du four peuvent s'ouvrir complètement sans obstruction.
- Le câble d'alimentation ne touche aucune pièce métallique chaude.
- L'interrupteur d'isolement est facilement accessible au client lorsque le four est installé.
- Vous remplissez la «liste de contrôle finale» à la fin de l'installation.
- Si, après avoir suivi les instructions données, les performances correctes ne peuvent pas être atteintes, veuillez contacter le centre de service après-vente agréé Fisher & Paykel le plus proche, ou contactez-nous via notre site Web local indiqué à la fin de ce document.

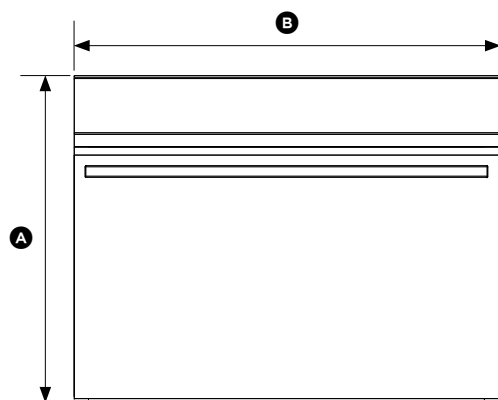
## 4 DIMENSIONS DU PRODUIT



HAUT



LE CÔTÉ



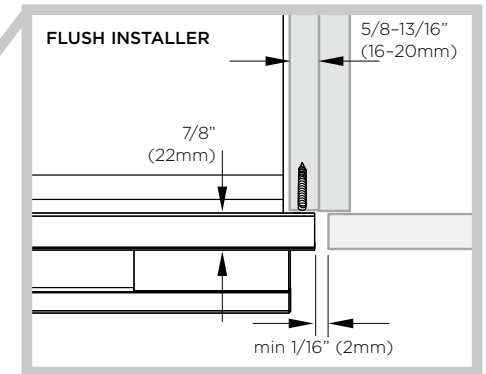
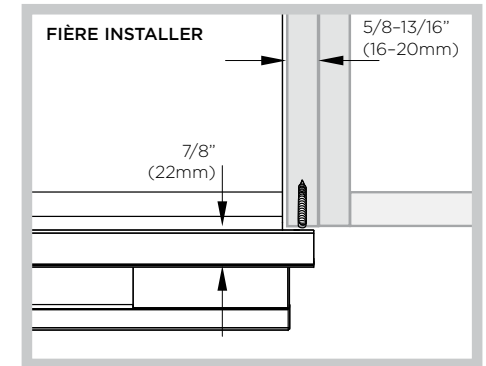
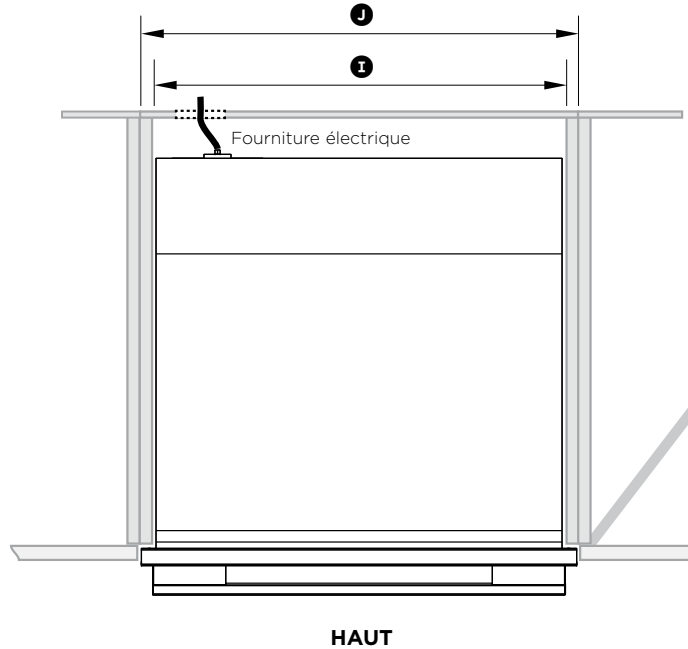
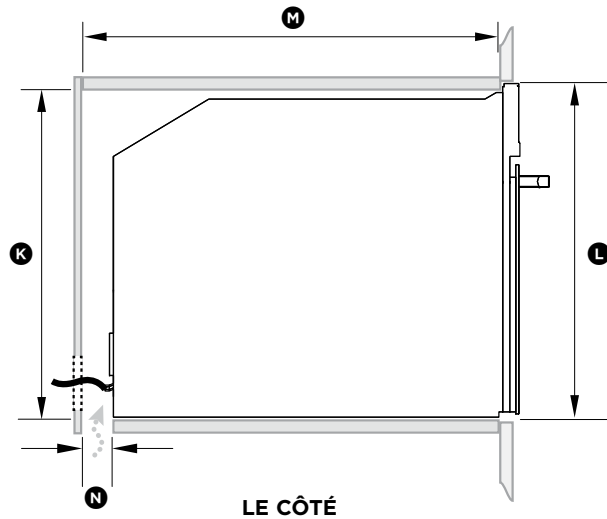
Avant

### DIMENSIONS DU PRODUIT

DIMENSIONS DU PRODUIT		MODÈLES OS24N
		Pouces (mm)
(A)	Hauteur totale du produit	18" (458)
(B)	Largeur totale du produit	23 7/16" (596)
(C)	Profondeur totale du produit (à l'exclusion de la poignée et des cadrans)	22 1/8" (562)
(D)	Hauteur du châssis	17 1/2" (445)
(E)	Largeur du châssis	21 7/8" (556)
(F)	Profondeur du châssis	21 1/4" (540)
(G)	Profondeur du cadre du four et du panneau de commande (=distance entre l'avant du châssis et l'avant de la porte du four, à l'exclusion des boutons)	7/8" (22)
(H)	Profondeur de la porte du four lorsqu'elle est complètement ouverte (mesurée depuis l'avant du panneau de commande)	12 5/8" (320)

## 5 A DIMENSIONS DE L'ARMOIRE (CAVITÉ DE 18 1/8" (460MM) DE HAUTEUR)

- Le four doit être installé sous une table de cuisson, dans une colonne ou combiné avec le tiroir-réchaud.
- Le matériau de l'armoire doit être capable de résister à la chaleur.
- Le four doit être centré dans les parois de l'armoire et fixé avec les vis et les bagues fournies.



### CABINETRY DIMENSIONS

### MODÈLES OS24N

#### Pouces (mm)

Ⓘ	Largeur intérieure minimale de la cavité	22 1/16" (560)
Ⓙ	Largeur totale des armoires	23 5/8" (600)
Ⓚ	Hauteur intérieure minimale de la cavité	17 3/4" (450)
Ⓛ	Hauteur totale des armoires	18 1/8" (460)
Ⓜ	Profondeur intérieure minimale de la cavité	22 1/16" (560)
Ⓝ	Ventilation d'aération	2" (50)

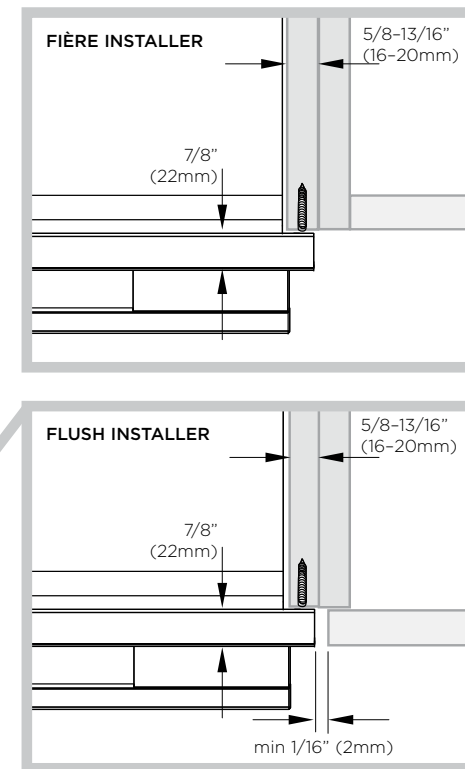
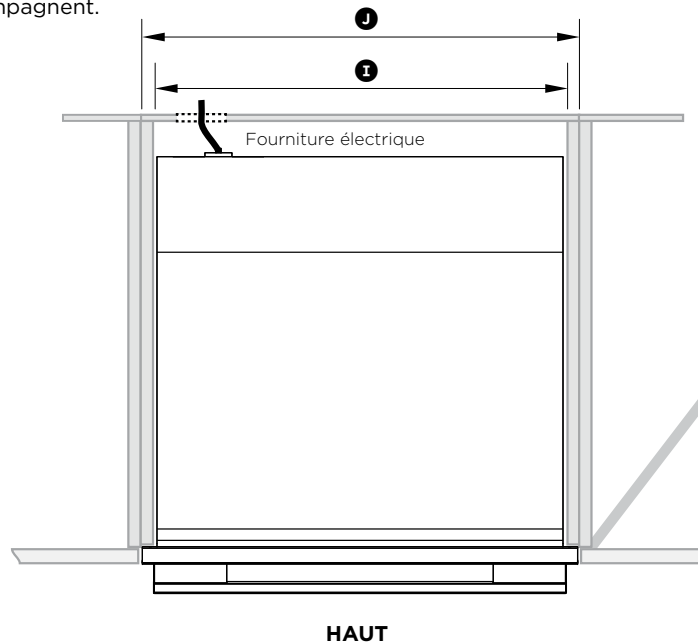
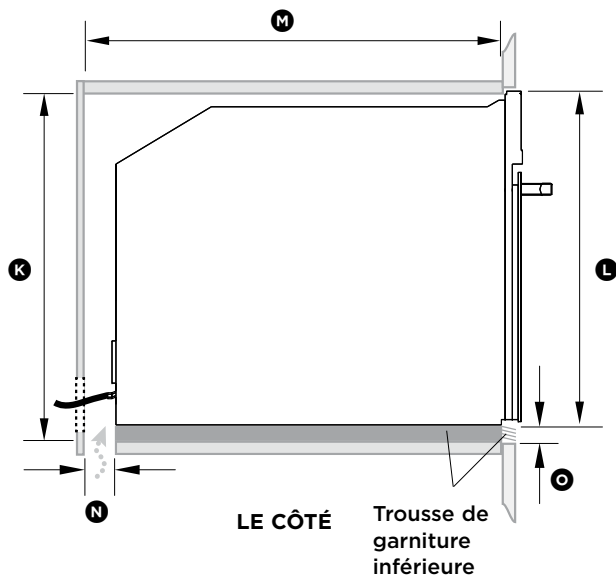
Remarque: Si vous installez une table de cuisson au-dessus du four, assurez-vous que la surface de cuisson est suffisamment dégagée selon les instructions du fabricant de la table de cuisson.

## 5 B DIMENSIONS DE L'ARMOIRE (KIT DE GARNITURE DE CAVITÉ DE 18 7/8" (480MM))

- Le four doit être installé sous une table de cuisson, dans une colonne ou combiné avec le tiroir-réchaud.
- Le matériau de l'armoire doit être capable de résister à la chaleur.
- Le four doit être centré dans les parois de l'armoire et fixé avec les vis et les bagues fournies.

### Trousse de garniture inférieure

Le kit Lower Trim montré est disponible à commander séparément auprès de fisherpaykel.com. Pour installer le kit de finition, reportez-vous aux instructions qui l'accompagnent.



### CABINERY DIMENSIONS

### MODÈLES OS24N

	Pouces (mm)
ⓔ Largeur intérieure minimale de la cavité	22 1/16" (560)
ⓙ Largeur totale des armoires	23 5/8" (600)
Ⓚ Hauteur intérieure minimale de la cavité	18 5/16" (465)
Ⓛ Hauteur totale des armoires	18 7/8" (480)
Ⓜ Profondeur intérieure minimale de la cavité	22 1/16" (560)
Ⓝ Ventilation d'aération	2" (50)
Ⓞ Hauteur du kit de finition	13/16" (20)

Remarque: Si vous installez une table de cuisson au-dessus du four, assurez-vous que la surface de cuisson est suffisamment dégagée selon les instructions du fabricant de la table de cuisson.

## ⑥ BRANCHEMENT ÉLECTRIQUE

Avant de vous connecter à l'électricité, assurez-vous que:

- les spécifications du système électrique correspondent à ce qui est détaillé sur la plaque de numéro de série appliquée à l'avant du four.
- le système a une connexion au sol efficace conforme aux normes et lois en vigueur.

La connexion au sol est requise par la loi. Le câble ne doit à aucun moment atteindre une température supérieure à 122 ° F (50 ° C) au-dessus de la température ambiante.

Ce four doit être connecté à l'électricité par un câble d'alimentation et une fiche compatible avec la sortie du système électrique qui alimente ce four. Si un appareil fixe n'a pas de cordon d'alimentation et de prise, ou un autre appareil qui assure une déconnexion du secteur, avec une distance d'ouverture des contacts qui permet une déconnexion complète, de tels dispositifs de déconnexion doivent être prévus dans le réseau d'alimentation conforme à l'installation règles.

La prise ou l'interrupteur omnipolaire doit être facile à atteindre lorsque l'appareil est installé.

Remarque: Le fabricant décline toute responsabilité si les normes habituelles de prévention des accidents et les instructions ci-dessus ne sont pas respectées.

## ⑦ FIXEZ LE FOUR AUX ARMOIRES

- ① Placez le four dans la cavité préparée.

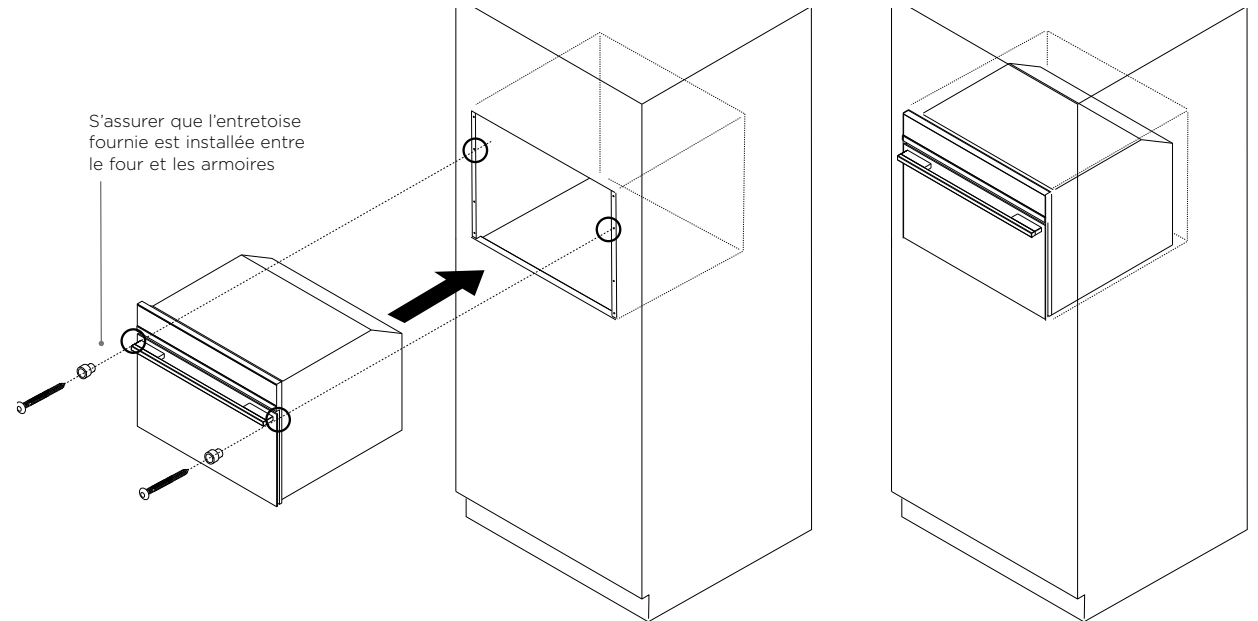
### IMPORTANT!

**Ne soulevez pas le four par la poignée de la porte.**

- ② Utilisez les vis et les entretoises fournies pour fixer le four aux armoires.

### IMPORTANT!

- **Ne serrez pas trop les vis.**
- **Veillez à ne pas endommager la partie inférieure du four.**
- **Ne pas sceller le four dans les armoires avec du silicone ou de la colle. Cela rend l'entretien ultérieur difficile. Fisher & Paykel ne couvrira pas les coûts d'enlèvement du four, ou des dommages causés par ce retrait.**



## ⑧ LISTE DE CONTRÔLE FINALE

### ✓ A REMPLIR PAR L'INSTALLATEUR

- Assurez-vous que le four est de niveau et solidement fixé aux armoires.
- Vérifiez que la garniture inférieure n'est pas endommagée.
- Ouvrez lentement la porte du four jusqu'à ce qu'elle soit complètement ouverte et vérifiez qu'il y a un espace suffisant entre le bas de la porte et la garniture inférieure. Ceci afin d'assurer une circulation d'air correcte. Si les moulures inférieures sont endommagées, redressez la moulure et assurez-vous que la porte du four s'ouvre complètement sans obstruction.
- Assurez-vous que les attaches de câbles et l'emballage interne ont été retirés de la cavité du four.
- Assurez-vous que tous les événements et les ouvertures du four sont dégagés et qu'ils ne sont pas obstrués ou endommagés.

### **IMPORTANT!**

**Si vous ne vous assurez pas que toutes les fentes d'aération du four sont dégagées, la performance du produit peut être médiocre.**

- Assurez-vous que l'interrupteur d'isolement est accessible au client.

### **OPERATION DE TEST:**

- Avez-vous démontré l'opération de base au client?  
Reportez-vous au Guide de l'utilisateur.

Compléter et conserver pour référence sûre:

Modèle \_\_\_\_\_

Numéro de série \_\_\_\_\_

Date d'achat \_\_\_\_\_

Acheteur \_\_\_\_\_

Adresse du concessionnaire \_\_\_\_\_

Nom de l'installateur \_\_\_\_\_

Signature de l'installateur \_\_\_\_\_

Compagnie d'installation \_\_\_\_\_

Date d'installation \_\_\_\_\_

**FISHERPAYKEL.COM**

© Fisher & Paykel Appliances 2017. Tous droits réservés.

Les caractéristiques de produit présentées dans ce livret s'appliquent aux modèles et produits spécifiques qui y sont décrits à la date de publication. Dans le cadre de notre politique d'amélioration en permanence de nos produits, ces caractéristiques peuvent être modifiées à tout moment. Nous vous recommandons de vérifier auprès de votre détaillant que ce livret décrit le produit actuellement disponible.

