

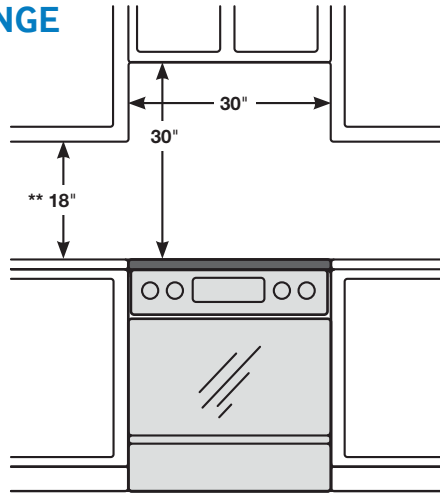
NE58K9560WS

5.8 cu. ft. Slide-In Induction Range with Virtual Flame™ Technology

INSTALLING YOUR RANGE

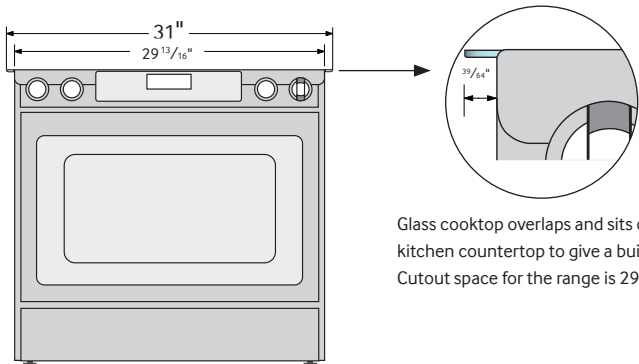
30" minimum clearance between the top of the cooking surface and the bottom of an unprotected wood or metal cabinet; or 24" minimum when the bottom of the wood or metal cabinet is protected by not less than 1/4" flame-retardant millboard covered with not less than no.28 MSG sheet steel, 0.015" stainless steel, 0.024" aluminum or 0.020" copper.

** 18" minimum between the countertop and the adjacent cabinet bottom.

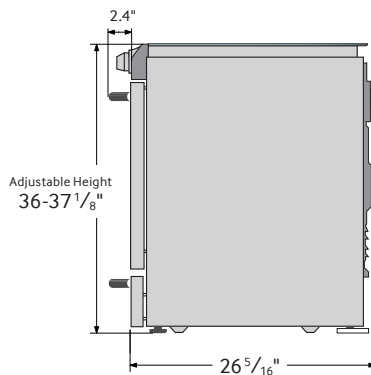


IMPORTANT: To eliminate the risk of burns or fire caused by reaching over heated surface units, cabinet storage space located above the surface units should be avoided. If cabinet storage is to be provided, the risk can be reduced by installing a range hood that projects horizontally a minimum of 5" beyond the bottom of the cabinets.

DIMENSIONS



Glass cooktop overlaps and sits on top of your kitchen countertop to give a built-in look. Cutout space for the range is 29 13/16.



Induction Cooktop

- Right Front: 11", 2.3 KW (Boost 3.3kW)
- Left Front: 7", 1.8 KW (Boost 1.8kW)
- Right Rear: 6", 1.2 KW (Boost 2.0kW)
- Left Rear: 7", 1.8 KW (Boost 1.8kW)

Oven

- Capacity: 5.8 cu. ft.
- Hidden Bake Element: 3000W
- Bake: 175°F - 550°F
- Convection Bake: 175°F - 550°F
- Convection Roast: 175°F - 550°F
- Broil (Low – High)
- Convection Element/Heater: 1250W
- Proofing
- Sabbath Mode

Warming Drawer

- Capacity – 0.7 cu. ft.
- Heating Performance: 600W (4 pass)
- Temperature Settings: High, Medium, Low

Warranty

One (1) Year All Parts and Labor
Five (5) Years Electric Cooktop

Product Dimensions & Weight (WxHxD)

Outside Dimensions:
31" x 36-37 1/8" (Adjustable) x 26 5/16"

Weight: 219.8 lbs.

Shipping Dimensions & Weight (WxHxD)

Dimensions:
33 1/16" x 41 3/4" x 30 5/16"

Weight: 244.1 lbs.

Color	Model #	UPC Code
Stainless Steel	NE58K9560WS	887276132273

SAMSUNG

Actual color may vary. Design, specifications, and color availability are subject to change without notice. Non-metric weights and measurements are approximate.

©2016 Samsung Electronics America, Inc. 85 Challenger Road, Ridgefield Park, NJ 07660. Tel: 800-SAMSUNG. samsung.com. Samsung is a registered trademark of Samsung Electronics Co. Ltd.