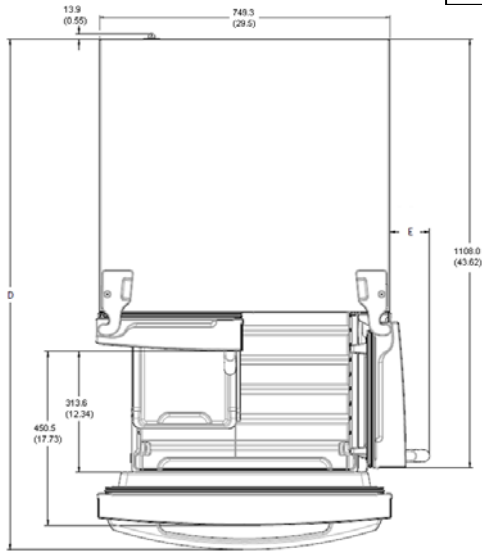


SEE NOTE 1 FOR DIMENSIONAL CLARIFICATION

Whirlpool

CORPORATION
RESEARCH AND ENGINEERING
REFRIGERATION PRODUCTS
EVANSVILLE, INDIANA 47727 U.S.A.

**ALL DIMENSIONS ARE IN MILLIMETERS
& INCHES IN PARENTHESES ()**



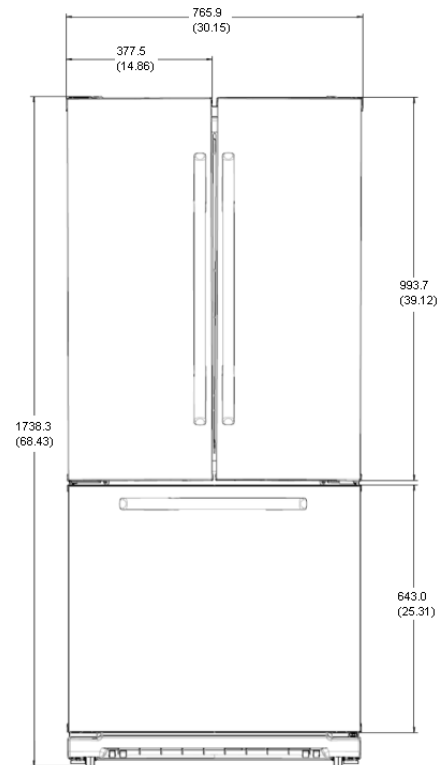
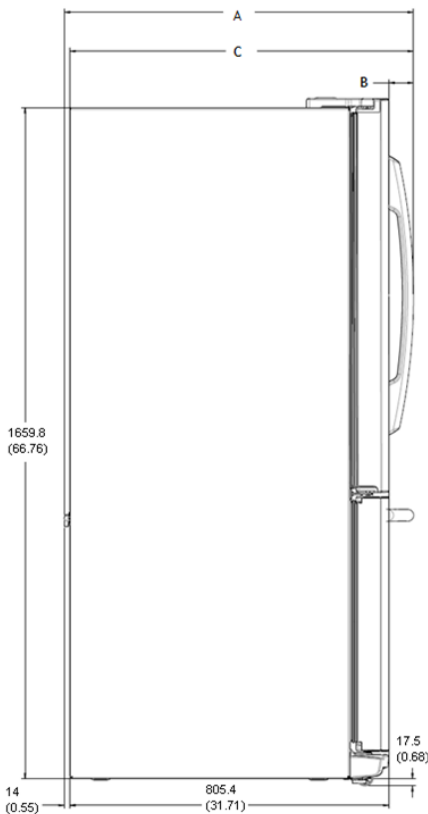
MINIMUM CABINET OPENING:

WIDTH 774.7 (30.5) - inside baseboard trim

HEIGHT 1726.7 (68) - w/ half depth upper cabinets
1747.5 (68.75) - w/ full depth upper cabinets

PACKAGING DIMENSIONS

WIDTH	HEIGHT	DEPTH
819 (32.24)	1773 (69.80)	913 (35.94)



TABULATION

HANDLE GROUP	DIM A	DIM B	DIM C	DIM D	DIM E
WHIRLPOOL	872.9 (34.37)	54.2 (2.14)	859.0 (33.82)	1312.9 (51.69)	94.1 (3.70)
KITCHEN AID	883.7 (34.79)	64.9 (2.56)	869.7 (34.24)	1322.9 (52.08)	104.8 (4.13)
MAYTAG	881.7 (34.71)	62.3 (2.45)	867.7 (34.16)	1319.0 (51.93)	102.8 (4.05)

NOTES:

- 1) Door opening required to move product (with doors and base grille removed) 749.3 mm (29.5 in).

REV	CHANGE	EN NO.	DATE	REV	CHANGE	EN NO.	DATE
A	RELEASE DIMENSION SPEC FOR XL FDBM	661906	26-JUL-2011				