

Side-by-Side Refrigerators

FFSS2315T D/S/P/E

22.1 Cu. Ft. Standard-Depth



Product Dimensions

| | |
|-------------------------------------|---------|
| Height (Including Hinges & Rollers) | 69-5/8" |
| Width (Doors) | 33" |
| Depth (Including Door) | 32" |

More Easy-To-Use Features

Store-More™ Humidity-Controlled Crisper Drawers

Keep your fruits and vegetables fresh in our humidity-controlled crisper drawers.

Store-More™ Capacity

Our large capacity refrigerator gives you room to store more.

Store-More™ Gallon Door Bins

Door storage gives you room for larger items — like a gallon of milk.

Clear Dairy Door

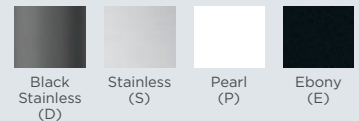
Store-More™ Shelves

More space to store your food with edge-to-edge shelves.

Ready-Select® Controls

Easily select options with the touch of a button.

Available in:



Signature Features

Adjustable Interior Storage

Over 100 ways to organize and customize your refrigerator. Details vary by model.

PureSource 3®

Clean, pure, refreshing water that removes impurities straight from your refrigerator.

Multi-Level LED Lighting

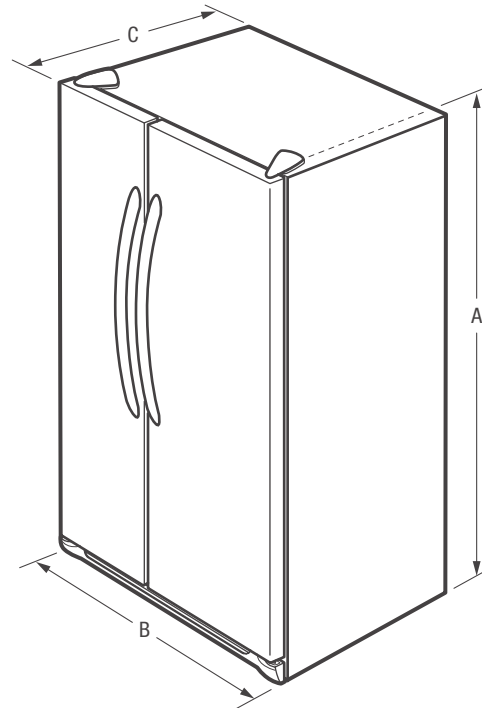
Corner-to-corner LED lighting throughout the refrigerator for better visibility.

Deli Drawer

Keeps sandwich meats and cheeses organized in a convenient location.

| | |
|--|---|
| Features | |
| Door Design | UltraSoft™ |
| Door Handle Design | Black Stainless (D), Stainless Steel (S), C-Coordinated (P/E) |
| Cabinet Finish | Grey (D/S), C-Coordinated (P/E) |
| Door Stops/Door Closers | Yes/Yes |
| Door Hinge Covers | Color-Coordinated |
| Rollers - Front/Rear | Yes/Yes |
| Energy Saver Plus Technology | Yes |
| Water Filter Location | Top Right Rear |
| Dispenser | |
| Controls | Ready-Select® |
| Dispenser Design | Short, 2-Paddle |
| Number of Dispenser Buttons | 4 |
| Crushed Ice/Cube Ice/Water | Yes/Yes/Yes |
| Ice Option/Freeze Option | |
| Display On/Off Option | |
| Control Lock/Light | No/Yes |
| Temp/Door Ajar/Power Failure Alerts | |
| Water Filter Change Indicator Light | |
| Air Filter Change Indicator Light | |
| Refrigerator Features | |
| Interior Lighting | LED |
| Water Filter Type | PureSource 3® |
| Air Filter Type | |
| Fixed Shelves | 2 Flat Glass |
| Sliding Shelves | |
| Deli Drawer | Yes |
| Wine/Can Rack | |
| Upper Crisper/Lower Crisper | 1 Clear/1 Clear |
| Humidity Controls | |
| Dairy Compartment | 1 Clear |
| Fixed Door Bins | 2 Two-Liter Clear |
| Adjustable Door Bins | 2 One-Gallon Clear |
| Non-Slip Bin Liner/Bottle Retainers | |
| Freezer Features | |
| Door Bins/Tilt-Out Wire Door Bins | 4 White/No |
| Fixed Shelves | 1 Flip-Out/2 Wire |
| Full Extension Baskets | |
| Full Freezer Baskets | 1 Plastic |
| Half Freezer Baskets | |
| Ice Cream Shelf/Pizza Shelf | |
| SpaceSaver™ Shelf | |
| Lighting | LED |
| Specifications | |
| Total Capacity (Cu. Ft.) | 22.1 |
| Refrigerator Capacity (Cu. Ft.) | 14.2 |
| Freezer Capacity (Cu. Ft.) | 7.9 |
| Power Supply Connection Location | Right Bottom Rear |
| Water Inlet Connection Location | Left Bottom Rear |
| Voltage Rating | 120V/60Hz |
| Connected Load (kW Rating) @ 120 Volts¹ | 1.02 |
| Amps @ 120 Volts | 8.5 Amps |
| Minimum Circuit Required (Amps) | 15 |
| Shipping Weight (Approx.) | 285 Lbs. |

¹For use on adequately wired 120V, dedicated circuit having 2-wire service with a separate ground wire. Appliance must be grounded for safe operation.

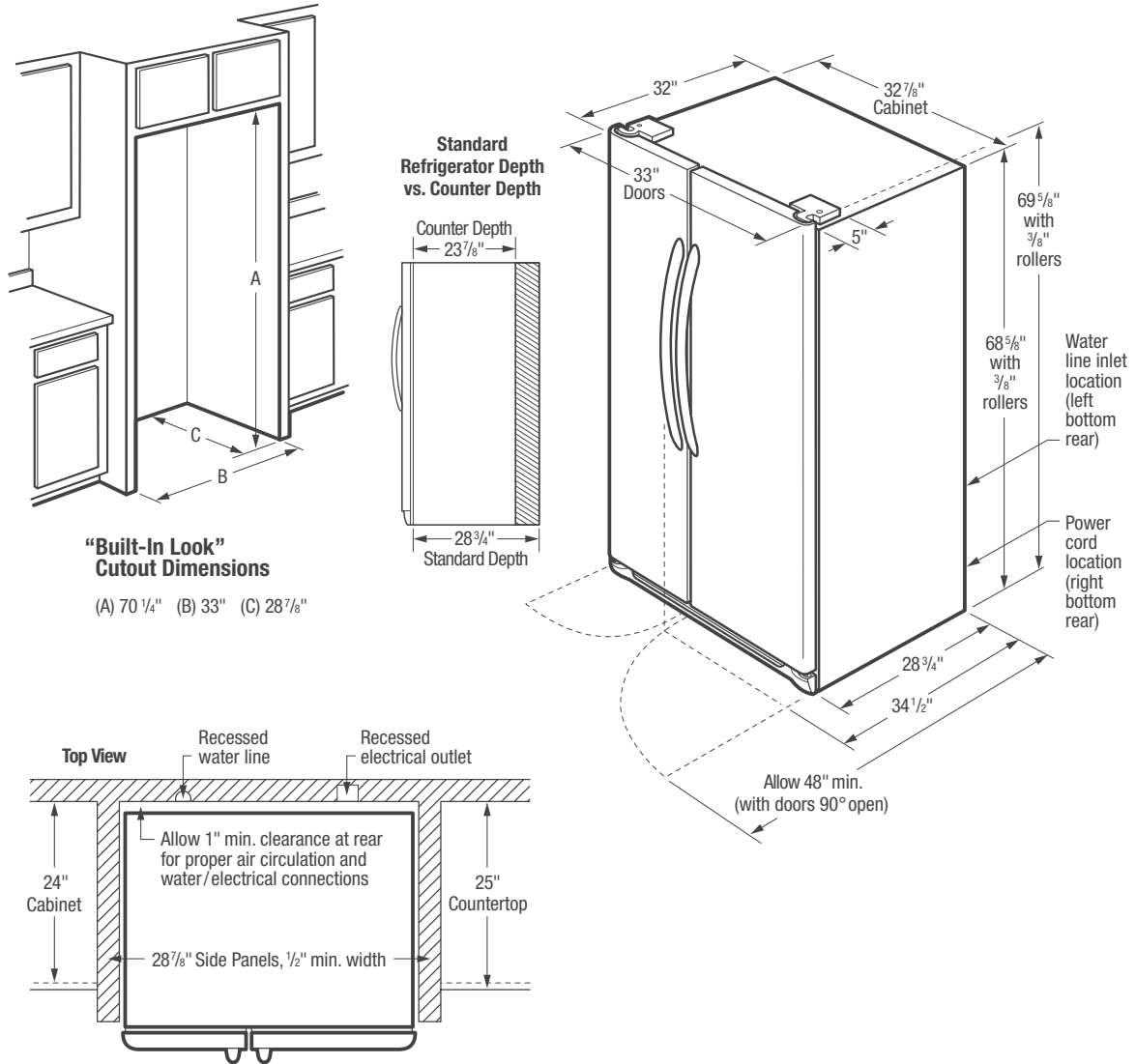


NOTE: For planning purposes only. Always consult local and national electric and plumbing codes. Refer to Product Installation Guide for detailed installation instructions on the web at frigidaire.com.



| Product Dimensions | |
|-------------------------------------|---------------|
| A - Height (Incl. Hinges & Rollers) | 69-5/8" |
| B - Cabinet Width/Door Width | 32-7/8" / 33" |
| C - Depth (Incl. Door) | 32" |
| Depth with Door Open 90° | 48" |

Accessories information available on the web at frigidaire.com



**“Built-In Look”
Cutout Dimensions**
(A) 70 1/4" (B) 33" (C) 28 7/8"

Standard Refrigerator Depth vs. Counter Depth
Counter Depth
23 7/8"
Standard Depth
28 3/4"

Top View
Recessed water line
Recessed electrical outlet
Allow 1" min. clearance at rear for proper air circulation and water/electrical connections
24" Cabinet
25" Countertop
28 7/8" Side Panels, 1/2" min. width

Side-by-Side Refrigerator Specifications

- Product Shipping Weight (approx.) - 285 Lbs.
- Voltage Rating - 120V / 60 Hz
- Connected Load (kW Rating) @ 120 Volts = 1.02 kW (For use on adequately wired 120V, dedicated circuit having 2-wire service with a separate ground wire. Appliance must be grounded for safe operation.)
- Amps @ 120 Volts = 8.5 Amps
- Always consult local and national electric & plumbing codes.
- Floor should be level surface of hard material, capable of supporting fully loaded refrigerator.
- When installing refrigerator adjacent to wall, cabinet or other appliance that extends beyond front edge of unit, 20" minimum clearance recommended to allow for optimum 120° to 180° door swing, providing complete drawer / crisper access and removal. (*Absolute 4-1/2" minimum clearance will ONLY allow for 90° door swing which will provide drawer / crisper access with restricted removal.*)
- To ensure optimum performance, avoid installing in direct sunlight or close proximity to range, dishwasher or other heat source.
- For proper ventilation, front grille MUST remain unobstructed.

- Recess electrical outlet when possible.
- Water recess on rear wall recommended to prevent water line damage.
- Water Pressure - Cold water line must provide between 30 and 100 pounds per square inch (psi).
- Copper tubing with 1/4" O.D. recommended for water supply line with length equal to distance from rear of unit to household water supply line plus 7 additional feet. Optional Water Supply Installation Kits available.

“Built-In Look” Specifications

- Minimum opening of 70-1/4" H x 33" W x 28-7/8" D required to allow for ease of installation, proper air circulation, and plumbing/electrical connections.
- Remove all wall / floor molding prior to installation.

Note: For planning purposes only. Refer to Product Installation Guide on the web at frigidaire.com for detailed instructions.