

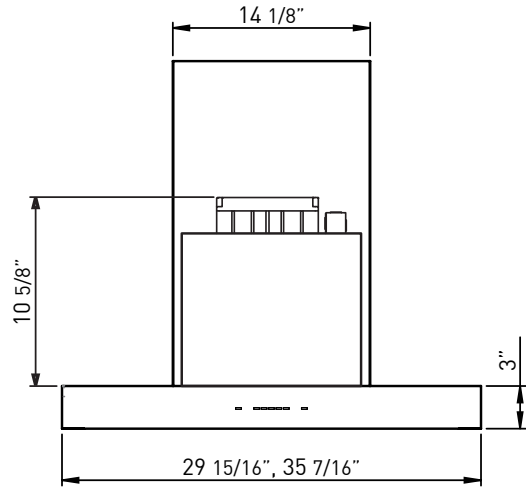
Roma's sleek low-profile 3" design is ideal for the design-savvy renovator, the high-rise developer who strives for quality or the builder who buys in mass but won't settle for mediocrity. Roma's contemporary design is complemented

with ICON Touch® controls and a 600-CFM blower that operates at an ultra quiet single sone. Includes BriteStrip™ LED lighting and ACT™ technology.

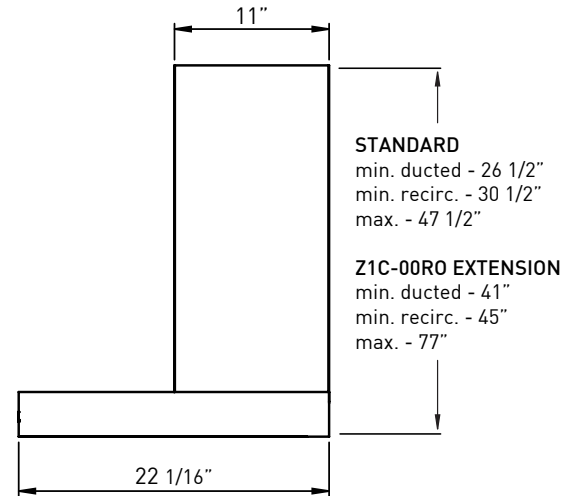
ACT™

Min. - Max. CFM	INTERNAL BLOWER STANDARD	INTERNAL BLOWER with ACT™ AIRFLOW CONTROL TECHNOLOGY™*	
	200 - 600	200 - 390	200 - 290
Min. - Max. Sones	1 - 6	1 - 4	1 - 3

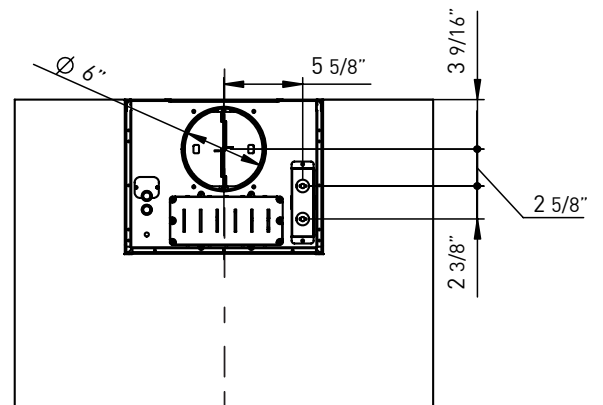
\*AIRFLOW CONTROL TECHNOLOGY™ (ACT™) is an exclusive feature built into specific Zephyr hoods which can limit the maximum blower CFM to meet local code requirements.



FRONT



SIDE



CL

TOP

MODEL	ZRO-E30DS	ZRO-M90DS
Stainless Steel		
<b>Size</b>	30"	36"
Blower CFM (Min. - Max.)	200 - 600	200 - 600
Sones (Min. - Max.)	1 - 6	1 - 6
ACT 390 CFM (Min. - Max.)	200 - 390	200 - 390
ACT 390 Sones (Min. - Max.)	1 - 4	1 - 4
ACT 290 CFM (Min. - Max.)	200 - 290	200 - 290
ACT 290 Sones (Min. - Max.)	1 - 3	1 - 3
<b>FEATURES</b>		
ACT™ Technology	Yes	Yes
Controls	ICON Touch®	ICON Touch®
Speed Levels	5*	5*
Auto Delay-Off	Yes	Yes
Lighting	BriteStrip™ LED, x1	BriteStrip™ LED, x1
Dual-Level Lighting	Yes	Yes
Filters	Aluminum Mesh x2	Aluminum Mesh x2
Recirculating Option	Yes	Yes
Extension Duct Cover Option	Yes, Up to 12' Ceiling	Yes, Up to 12' Ceiling
<b>DUCT SPECIFICATIONS</b>		
Vertical Internal Blower	6" Round	6" Round
Horizontal Internal Blower	NA	NA
AC POWER	120V, 60Hz at Max. 4A	120V, 60Hz at Max. 4A
<b>OPTIONAL ACCESSORIES</b>		
Recirculating Kit	ZRC-01RO	ZRC-01RO
Extension Duct Cover	Z1C-00RO	Z1C-00RO
Make-Up Air Kit	MUA006A	MUA006A
<b>MOUNTING HEIGHT RANGE**</b>	26" - 34"	26" - 34"
<b>WARRANTY</b>	3 years parts, 1 year labor	3 years parts, 1 year labor

CEILING HEIGHT	8'	8.5'	9'	9.5'	10'	10.5'	11'	12'
STANDARD DUCT COVER	Ducted Mounting Height**	26" - 34"	26" - 34"	26" - 34"	30.5" - 34"	NA	NA	NA
	Recirc Mounting Height**	26" - 29.5"	26" - 34"	26" - 34"	30.5" - 34"	NA	NA	NA
EXTENSION DUCT COVER	Ducted Mounting Height**	NA	NA	26" - 31"	26" - 34"	26" - 34"	26" - 34"	26" - 34"
	Recirc Mounting Height**	NA	NA	26" - 27"	26" - 33"	26" - 34"	26" - 34"	26" - 34"

\*When ACT™ is enabled the maximum speed levels will change. ACT 390 CFM = 3 speeds and ACT 290 CFM = 2 speeds.  
 \*\*Mounting height refers to distance between top of a 36" tall cooking surface and bottom of hood.

**ACT™** AIRFLOW CONTROL TECHNOLOGY™ (ACT™) is an exclusive feature built into specific Zephyr hoods which can limit the maximum blower CFM to meet local code requirements.

Specifications subject to change, check zephyronline.com for up-to-date information.  
 Zephyr Ventilation | 2277 Harbor Bay Parkway, Alameda, CA 94502 | 888.880.VENT

APR17.0201

