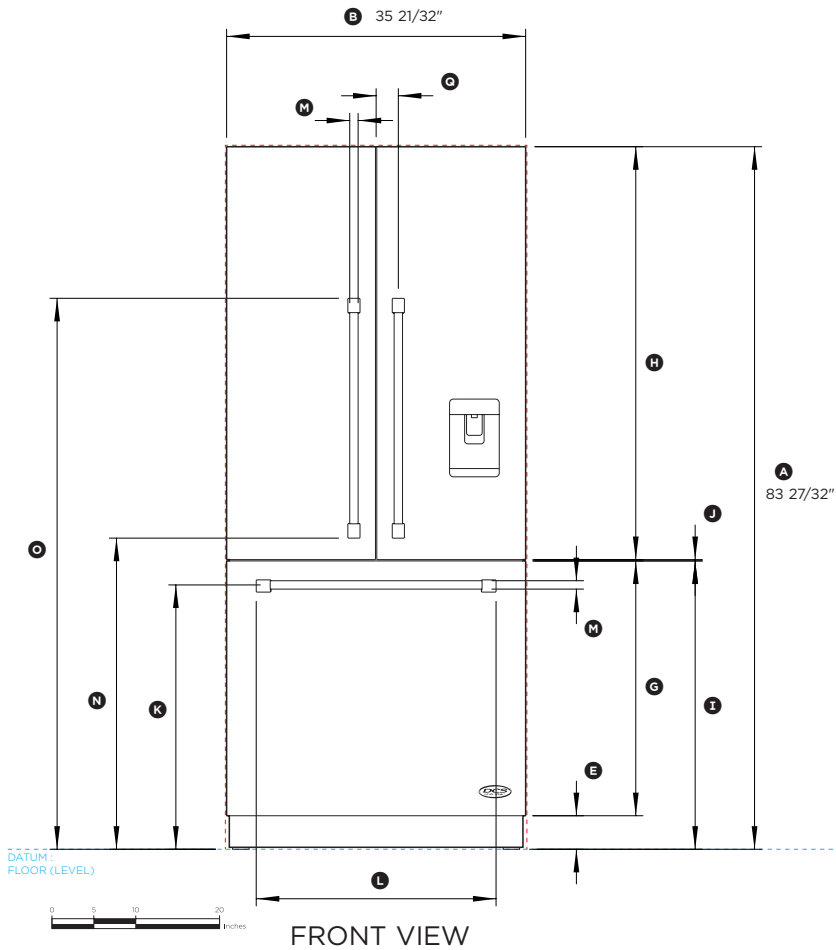
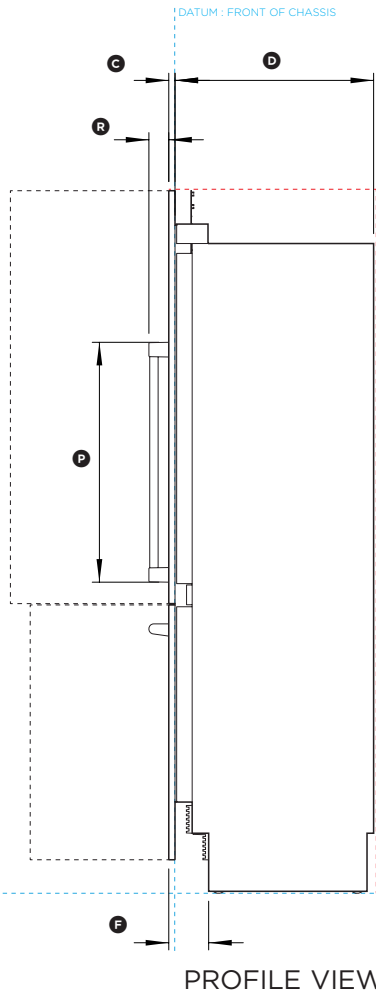


PLAN VIEW



FRONT VIEW



PROFILE VIEW

**36" ActiveSmart™ Built-in Refrigerator**

Model no:  
**RS36A80UC1 (with Stainless Door panels PART NO. RD3684CU)**

Product Dimensions	in
Ⓐ Overall height of fridge	83 27/32"
Ⓑ Overall width of fridge	35 21/32"
Ⓒ Depth of fridge front panels (excl. handles)	3/4"
Ⓓ Overall depth of fridge (excl. front door panels)	23 3/4"
Ⓔ Height from bottom datum to top of toe kick	4"
Ⓕ Depth of toe kick measured from front of door	4 3/4"
Ⓖ Height of bottom drawer panel	30 13/32"
Ⓗ Height of top door panels	49 9/32"
Ⓙ Height from bottom datum to top of drawer panel	34 13/32"
Ⓚ Gap between top and bottom door panels	5/32"
Ⓛ Height from bottom datum to centre of bottom handle	31 17/32"
Ⓜ Width of bottom handle	28 5/8"
Ⓝ Thickness of handles (not including standoffs)	31/32"
Ⓟ Height from bottom datum to bottom of top handle	37 1/8"
Ⓠ Height from bottom datum to top of top handle	65 3/4"
Ⓡ Height of top handles	28 5/8"
Ⓢ Distance from centre of fridge to the centre of top handles	2 5/8"
Ⓣ Depth of handle (measured from front of door)	1 5/8"
Ⓤ Depth of door (widest opening) measured from front of door	18 29/32"
Ⓡ Depth of drawer (open) measured from front of drawer, including handle	15 3/4"
Ⓢ Depth of drawer (open) measured from front of drawer, excluding handle	14 3/16"
Ⓥ Minimum door clearance to adjacent wall (115° - full internal access)	12 13/32"

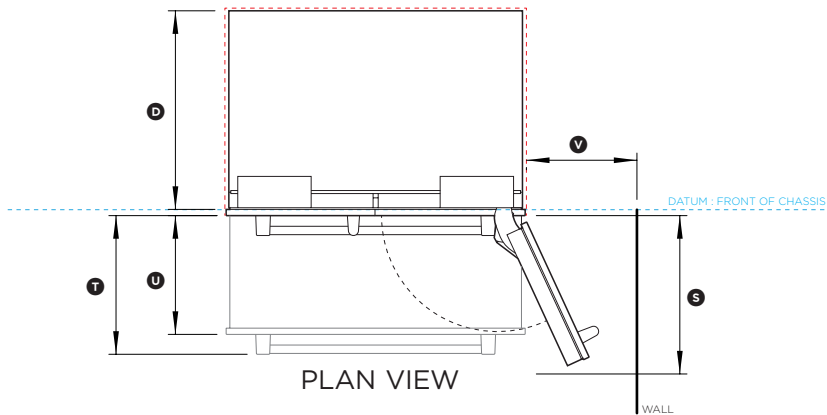
Clearances Dimensions	in
Minimum cabinetry gap clearance from edge of product	5/32"
Overall height of cavity	84"
Overall width of cavity	36"
Overall depth of cavity	24 3/4"

INDICATES PRODUCT DATUM -----  
 INDICATES MINIMUM CABINETRY CLEARANCES - - - - -

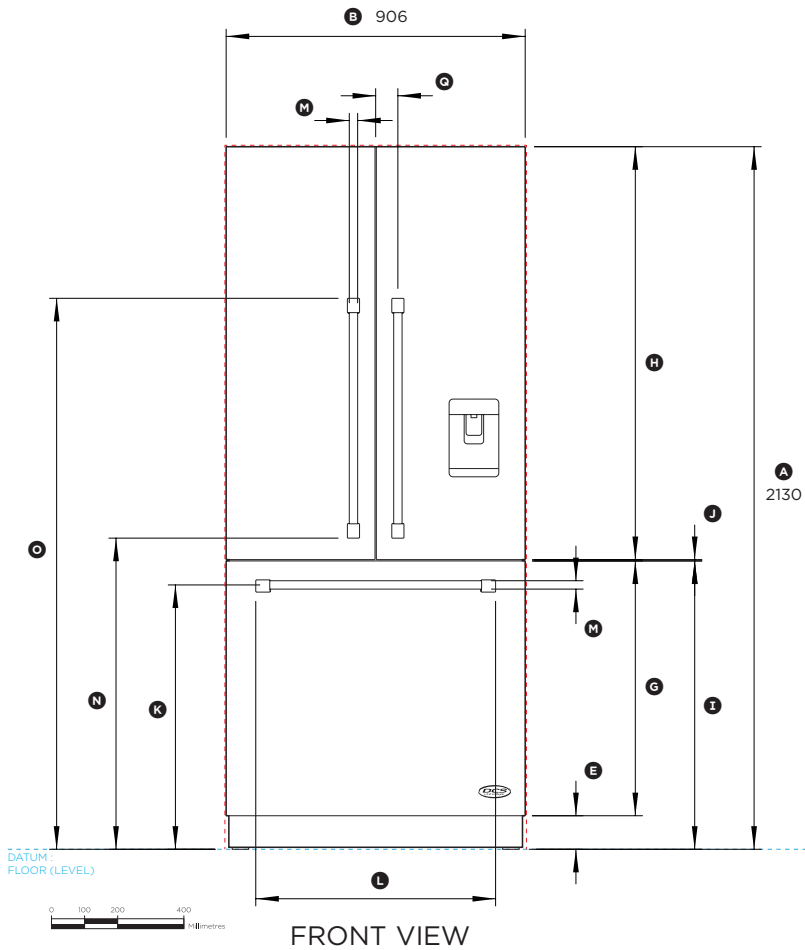
DATE: **24.05.2015**

IMPORTANT NOTE: Throughout this guide, dimensions may vary by ±2mm (3/32"). Please read the installation manual for detailed information on installing the product. [www.dcsappliances.com](http://www.dcsappliances.com)

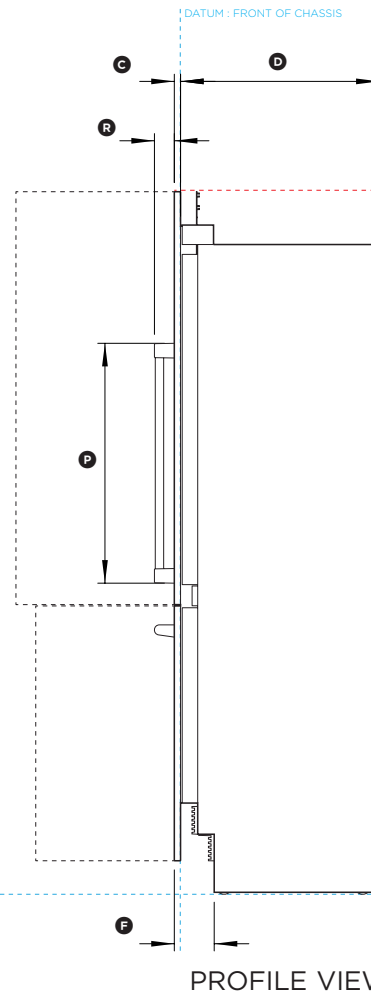




PLAN VIEW



FRONT VIEW



PROFILE VIEW

### 36" ActiveSmart™ Built-in Refrigerator

Model no:

**RS36A80UC1 (with Stainless Door panels PART NO. RD3684CU)**

Product Dimensions	mm
Ⓐ Overall height of fridge	2130
Ⓑ Overall width of fridge	906
Ⓒ Depth of fridge front panels (excl. handles)	19
Ⓓ Overall depth of fridge (excl. front door panels)	603
Ⓔ Height from bottom datum to top of toekick	102
Ⓕ Depth of toekick measured from front of door	121
Ⓖ Height of bottom drawer panel	772
Ⓗ Height of top door panels	1252
Ⓙ Height from bottom datum to top of drawer panel	874
Ⓚ Gap between top and bottom door panels	4
Ⓛ Height from bottom datum to centre of bottom handle	801
Ⓚ Width of bottom handle	727
Ⓜ Thickness of handles (not including standoffs)	25
Ⓝ Height from bottom datum to bottom of top handle	943
Ⓞ Height from bottom datum to top of top handle	1670
Ⓟ Height of top handles	727
Ⓠ Distance from centre of fridge to the centre of top handles	67
Ⓡ Depth of handle (measured from front of door)	41
Ⓢ Depth of door (widest opening) measured from front of door	480
Ⓣ Depth of drawer (open) measured from front of drawer, including handle	420
Ⓤ Depth of drawer (open) measured from front of drawer, excluding handle	360
Ⓥ Minimum door clearance to adjacent wall (115° - full internal access)	335

Clearances Dimensions	mm
Minimum cabinetry gap clearance from edge of product	4
Overall height of cavity	2134
Overall width of cavity	914
Overall depth of cavity	629

INDICATES PRODUCT DATUM -----  
 INDICATES MINIMUM CABINETRY CLEARANCES -----

DATE: 24.05.2015

IMPORTANT NOTE: Throughout this guide, dimensions may vary by ±2mm (3/32"). Please read the installation manual for detailed information on installing the product. [www.fisherpaykel.com](http://www.fisherpaykel.com)