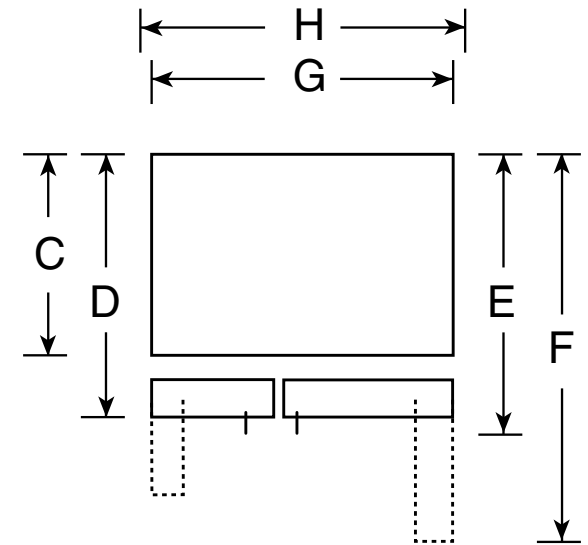
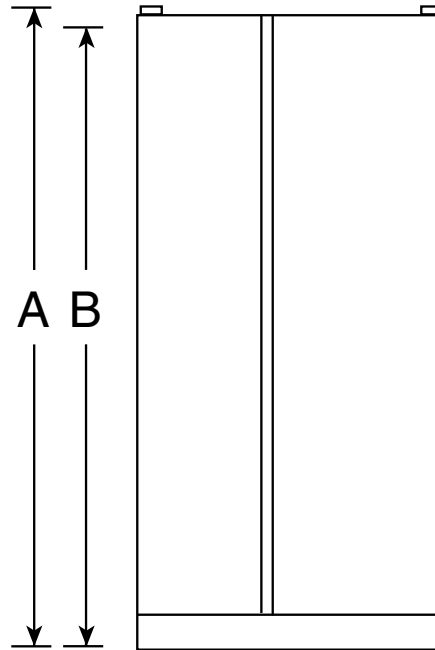


# GSS25GGH

## GE® 25.4 Cu. Ft. Side-By-Side Refrigerator with Dispenser

### Dimensions and Installation Information (in inches)

Overall Dimensions	Height to top of hinge (in.) <b>A</b>	<b>69-1/2</b>
	Height to top of case (in.) <b>B</b>	<b>69</b>
	Case depth without door (in.) <b>C</b>	<b>28</b>
	Case depth less door handle (in.) <b>D</b>	<b>32-1/4</b>
	Case depth with door handle (in.) <b>E</b>	<b>34-3/4</b>
	Depth with fresh food door open 90° (in.) <b>F</b>	<b>50</b>
	Width (in.) <b>G</b>	<b>35-3/4</b>
	Width with door open 90° inc. door handle (in.) <b>H</b>	<b>43-3/4</b>
Air	Each side (in.)	<b>1/8</b>
	Top (in.)	<b>1</b>
	Back (in.)	<b>2</b>



imagination at work

For answers to your Monogram®, Café™ Series, Profile™ Series or GE® appliance questions, visit our website at [geappliances.com](http://geappliances.com) or call GE Answer Center® service, 800.626.2000.



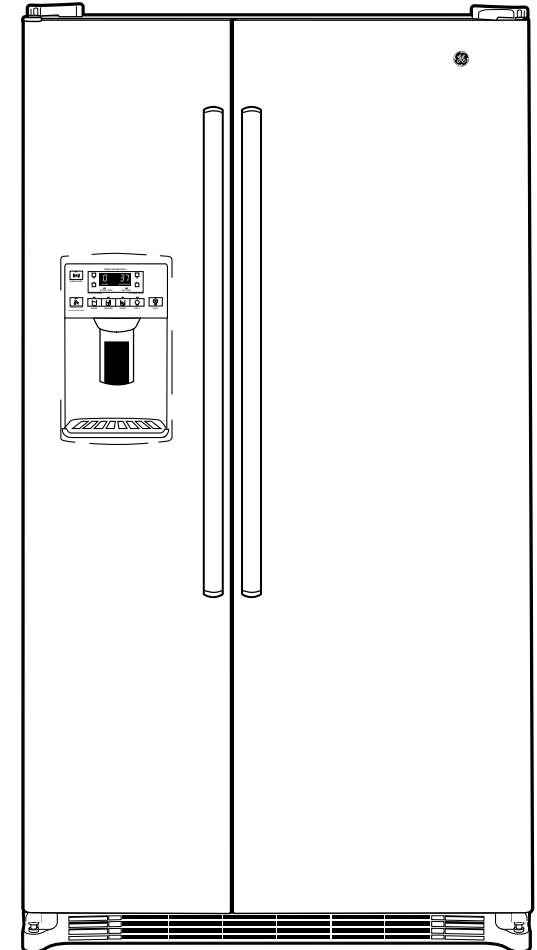
Specification Created 7/14

# GSS25GGH

## GE® 25.4 Cu. Ft. Side-By-Side Refrigerator with Dispenser

### Features and Benefits

- Integrated shelf support system - Provides strong, flexible support
- Adjustable slide-out, spillproof glass shelves - Raised edges help contain spills and make clean up quick and easy
- Fresh food multi-level drawers - Provides the ideal environment for storing your fruits and vegetables
- Adjustable gallon door bins - Offers ideal space for storing gallon containers in the door
- Arctica icemaker - A special access door puts ice within reach
- Advanced filtration - Removes trace pharmaceuticals from water and ice\* and uses replacement filter MWF  
(\*Removes ibuprofen, atenolol, fluoxetine, progesterone and trimethoprim. These pharmaceuticals are not necessarily in all users' water)
- Model GSS25GGHBB - Black
- Model GSS25GGHWW - White



imagination at work