

BERTAZZONI PROFESSIONAL SERIES 36" RANGETOPS



Available in 5 or 6 burners configuration, Bertazzoni Pro rangetops have the same one-piece, seamless, high-efficiency worktop design that has become the signature of Bertazzoni freestanding ranges. All burners are in cast brass for enhanced performance, with the dual control brass power burner delivering best-in-class heat-up times and maximum flexibility thanks to its extremely wide BTU range.

6 BURNERS



With the power burner on the front left quadrant, you can cook in a large wok and several other pans at the same time.

BRASS POWER BURNER



Bertazzoni's exclusive dual power burner in cast brass delivers high-efficiency performance from delicately low simmer to full power (750 – 18,000 BTUs) with best-in-class heat-up time.

5 BURNERS



The 5 burners configuration, with the power burner in the center, offers exceptional performance and the most balanced look.



THE INTEGRATED KITCHEN

BERTAZZONI PROFESSIONAL SERIES

36" RANGETOP 6 GAS BURNERS

BERTAZZONI PROFESSIONAL SERIES

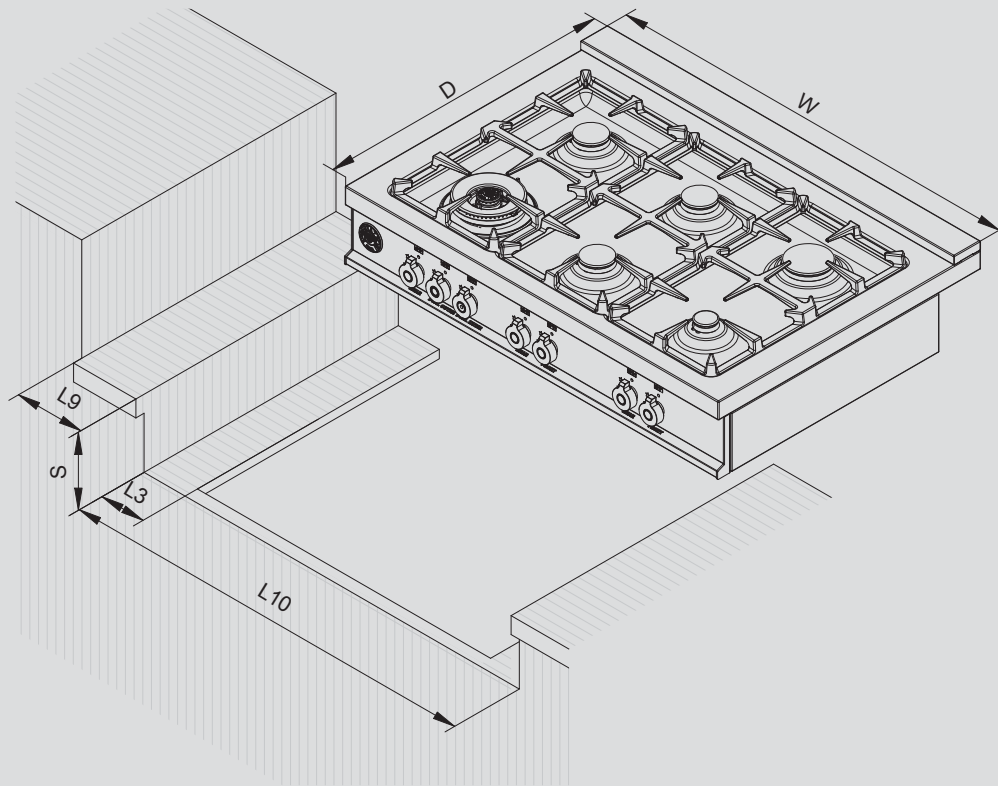
36" RANGETOP 5 GAS BURNERS

Rangetop 36"
CB36 6 00 X**Rangetop 36"**
CB36 5 00 X**Cooking Zones**

Brass Burners	6
Dual	750-18000 Btu/h
Rapid	11000 Btu/h
Semi-rapid	6200 Btu/h
Auxiliary	750-3400 Btu/h
Electrical Requirements	120V 60Hz
Max. Amp Usage	1 Amp
Certification	CSA
Warranty	2 years parts and labor

Cooking Zones

Brass Burners	5
Dual power burner	750-18000 Btu/h
Rapid	11000 Btu/h
Semi-rapid	6200 Btu/h
Auxiliary	750-3400 Btu/h
Electrical Requirements	120V 60Hz
Total AMP max	1 Amp
Certification	CSA
Warranty	2 years parts and labor

Comes with flat island trim (IT36X), simmer ring (408077)
Optional: stainless steel griddle (SG36X), wok ring (408084)Comes with flat island trim (IT36X), simmer ring (408077)
Optional: stainless steel griddle (SG36X), wok ring (408084)

Rif.	Dim.	
	Inches	mm
D	25 ³ / ₁₆	640
L3 (min)	1	25
L9 (max)	6	152
L10	36	915
S	6 ¹ / ₂	165
W	35 ¹³ / ₁₆	910