

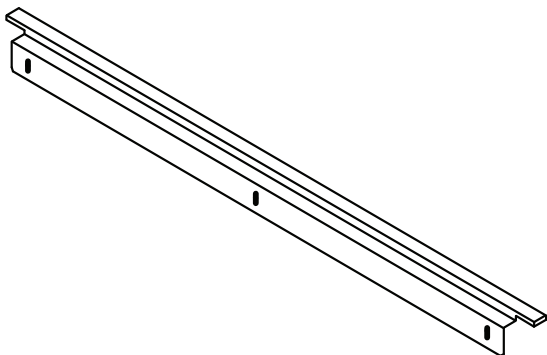
RANGE MODELS: DR30EIS, DR30EIFS, RNR30NIS, RNR30NIFS, RR30NIS, RR30NIFS



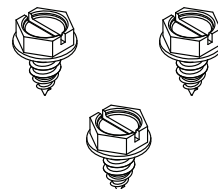
Downdraft Vent Trim Kit,
P/N ATKR30SR

**INSTALLATION
INSTRUCTIONS**

Parts included with this kit:



Rear Trim Piece PN 107324



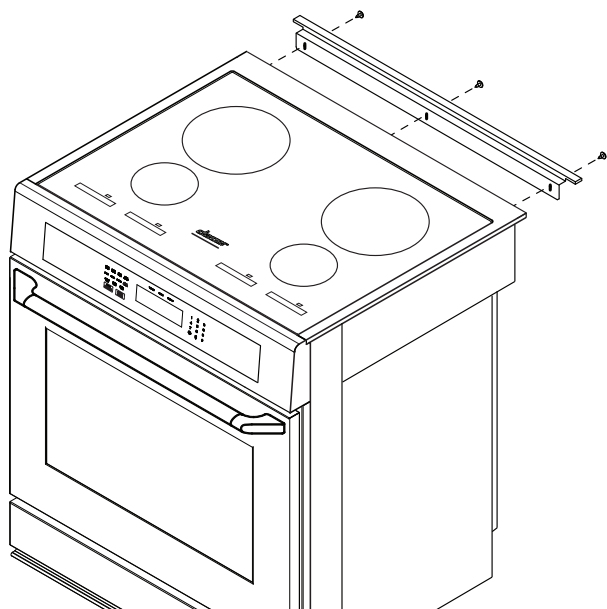
3 Hex Screws PN 83023

Introduction:

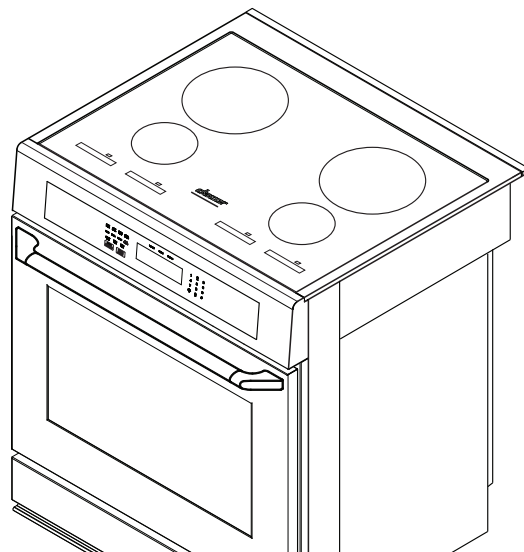
The DR30EI[F]S, RNR30NI[F]S and RR30NI[F]S ranges require a rear trim piece for installations with a downdraft vent. The trim piece attaches to the back of the range and covers the front of the downdraft vent chassis when the range is slid into position.

Instructions:

Install the rear trim piece as shown using the three hex screws included with the kit. The screws thread into the pre-drilled holes on the back of the range.



Trim Installation
(Range style varies with model)



Trim Installed

