

**COASTER**®

FINE FURNITURE

**900992**

**CHAIR SIDE TABLE**

**ASSEMBLY INSTRUCTION  
COASTER FINE FURNITURE**



**[www.coastercompany.com](http://www.coastercompany.com)**

**2012 /03 /27**

ITEM : 800992

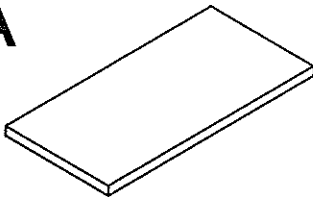

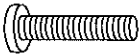
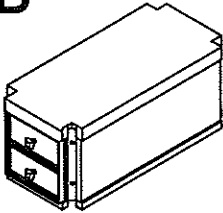





# Assembly Instruction

**ASSEMBLY TIPS:**

1. Remove hardware from box and sort by size.
2. Please check to see that all hardware and parts are present prior to start of assembly.
3. Please follow attached instructions in the same sequence as numbered to assure fast & easy assembly.

**Warning !**

1. Don't attempt to repair or modify parts that are broken or defective .Please contact the store immediately.
2. This product is for home use only and not intended for commercial establishment.

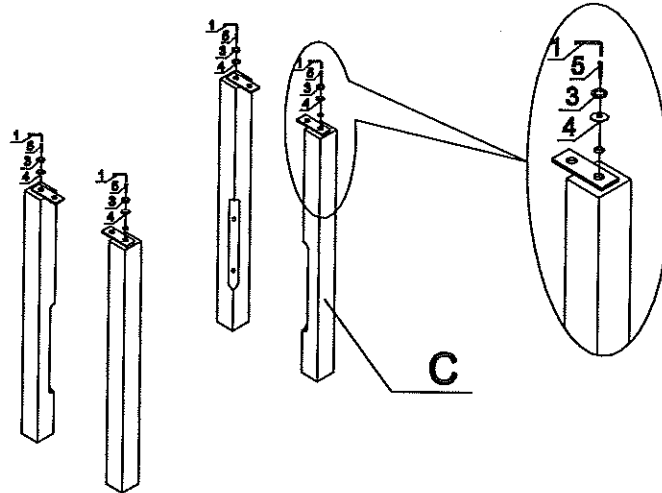
PARTS IDENTIFICATION		Z HARDWARE IDENTIFICATION		
<b>A</b>  TOP FRAME 1 pc	1		Ø4MM ALLEN WRENCH	1 pc
	2		Ø1" X 2" BOLT-LARGE	8 pcs
<b>B</b>  BOTTOM SHELF WITH DRAWER 1 pc	3		Ø1" LOCK WASHER	16 pcs
	4		Ø1" X 19MM FLAT WASHER	16 pcs
<b>C</b>  TABLE LEG 4 pcs	5		Ø1" X 3/4" BOLT-SMALL	8 pcs
	6		2 3/4" X 1" X 3MM STEEL PLATE	4 pcs

**STEP 1**

**The first step**

Stand the leg up, then stand the hole of the steel plate align the hole of the leg, with flat washer (4), lock washer (3), small bolt (5), by using allen wrench(1).

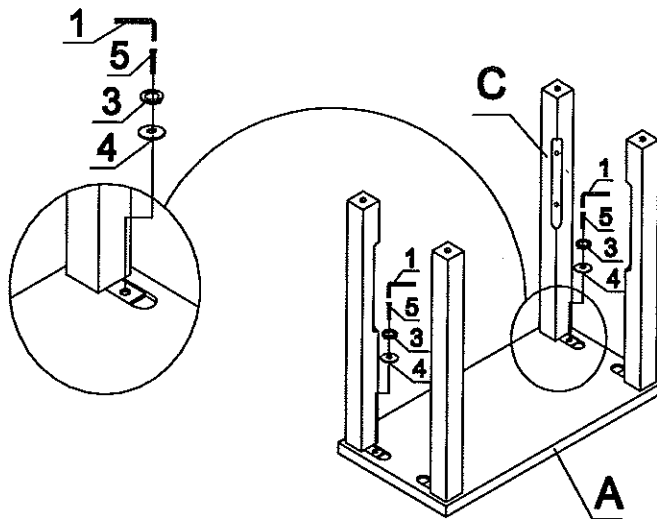
**Note:** Do tighten all bolts.



**STEP 2**

Place top frame (A) upside down on a flat, soft surface to avoid wood parts from being scratched. Attach table leg(C) onto downside of top frame (A) with flat washer (4), lock washer (3), small bolt (5), by using allen wrench(1).

**Note:** Do not over-tighten all bolts.

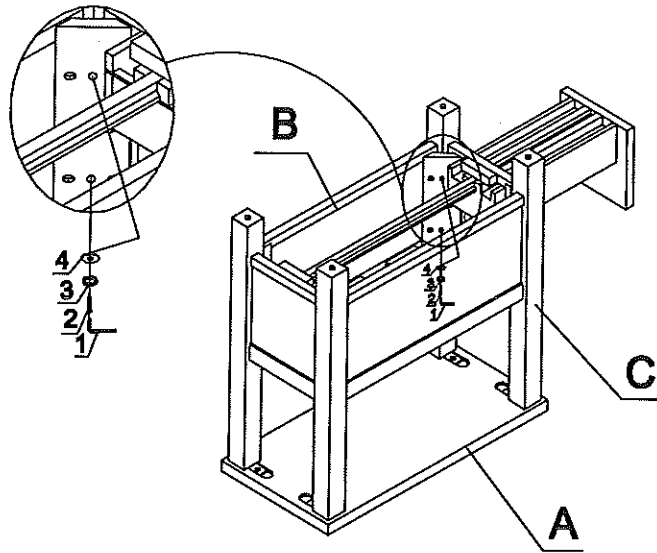


**STEP 3**

The first step

Place B into C, and use the allen wrench (1) to tighten the flat washer(4) , lock washer (3) and large bolt (2).

Note: Do tighten all bolts.



**STEP 4**

Do tighten all bolts in this step.

Need two people to turn the table upright.

