

ELEMENT MIRROR

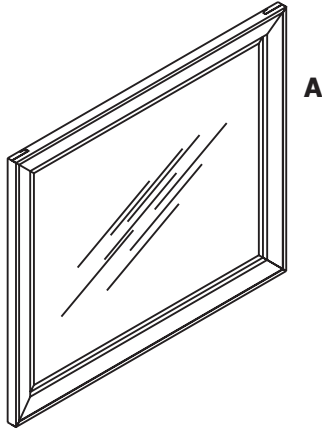
ASSEMBLY INSTRUCTIONS



PARTS AND FITTING PACKAGING DETAIL

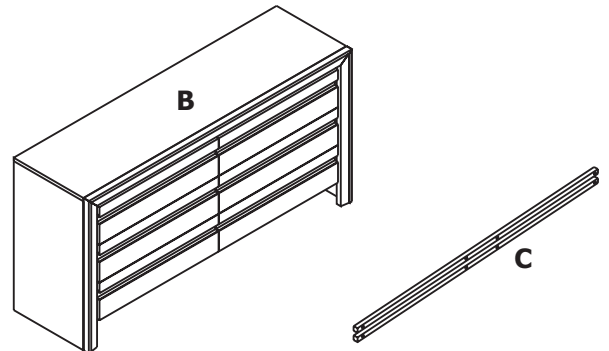
BOX MIRROR

A. MIRROR 1 PC



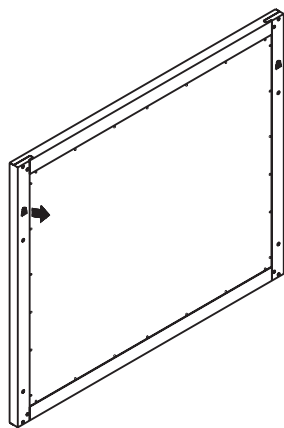
BOX DRESSER 6 DRAWER *

B. DRESSER 6 DRAWER 1 PC
 C. SUPPORT MIRROR 2 PCS
 HARDWARE** IN PLASTIC PUNCH

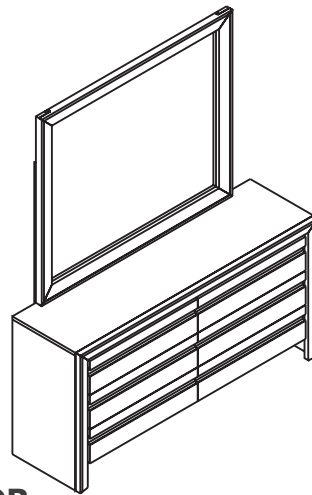


*SOLD SEPARATELY

OPTION 1 FIXING MIRROR ON THE WALL

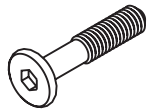
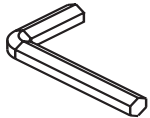


HANGING ON THE WALL
 USING EYE LIDS WHICH
 ALREADY INSTALLED



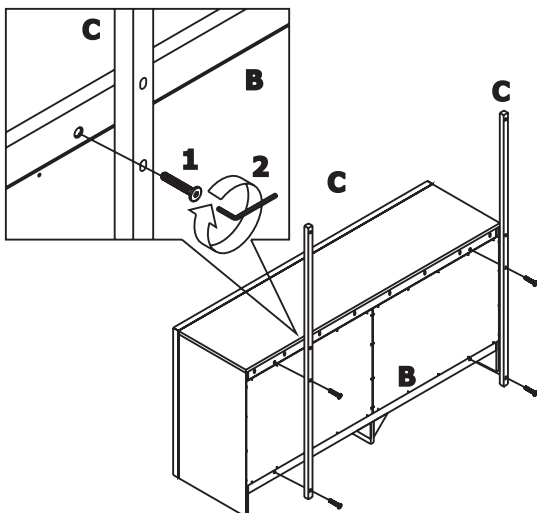
OPTION 2 FIXING MIRROR ON THE DRESSER 6 DRAWER

HARDWARE** PACKED IN BOX DRESSER 6 DRAWER

1	ALLEN BOLT 40MM	8 PCS
		
2	ALLEN KEY	1 PC
		

STEP 1 :

FOLLOW THE ILLUSTRATION TO FIX
 SUPPORT MIRROR (C) TO DRESSER 6 DRAWER (B)
 USING ALLEN BOLTS (1) FROM BACK SIDE, USE PILOT
 BOLTS AS REFERENCE FOR EASY ASSEMBLY.
 TIGHTEN THE BOLTS USING ALLEN KEY (2).



STEP 2 :

MATCH THE ARROW MARK ON THE BACK SIDE OF
 MIRROR (A) & DRESSER 6 DRAWER (B).
 USE PILOT BOLTS AS REFERENCE TO CONNECT
 MIRROR (A) & SUPPORT MIRROR (C) USING ALLEN
 BOLTS (1). TIGHTEN THE BOLTS USING ALLEN KEY (2).

