



FRIGIDAIRE

Factory Parts Catalog

Product No.	FFTR1830QS0
Series	R134a
Color	stainless
Volts	115V
Wiring Diagram	A01475501
Owner's Guide	807876507
Market	North America
Energy Guide	A10298733
Service Data Sheet	A01511903

Frigidaire

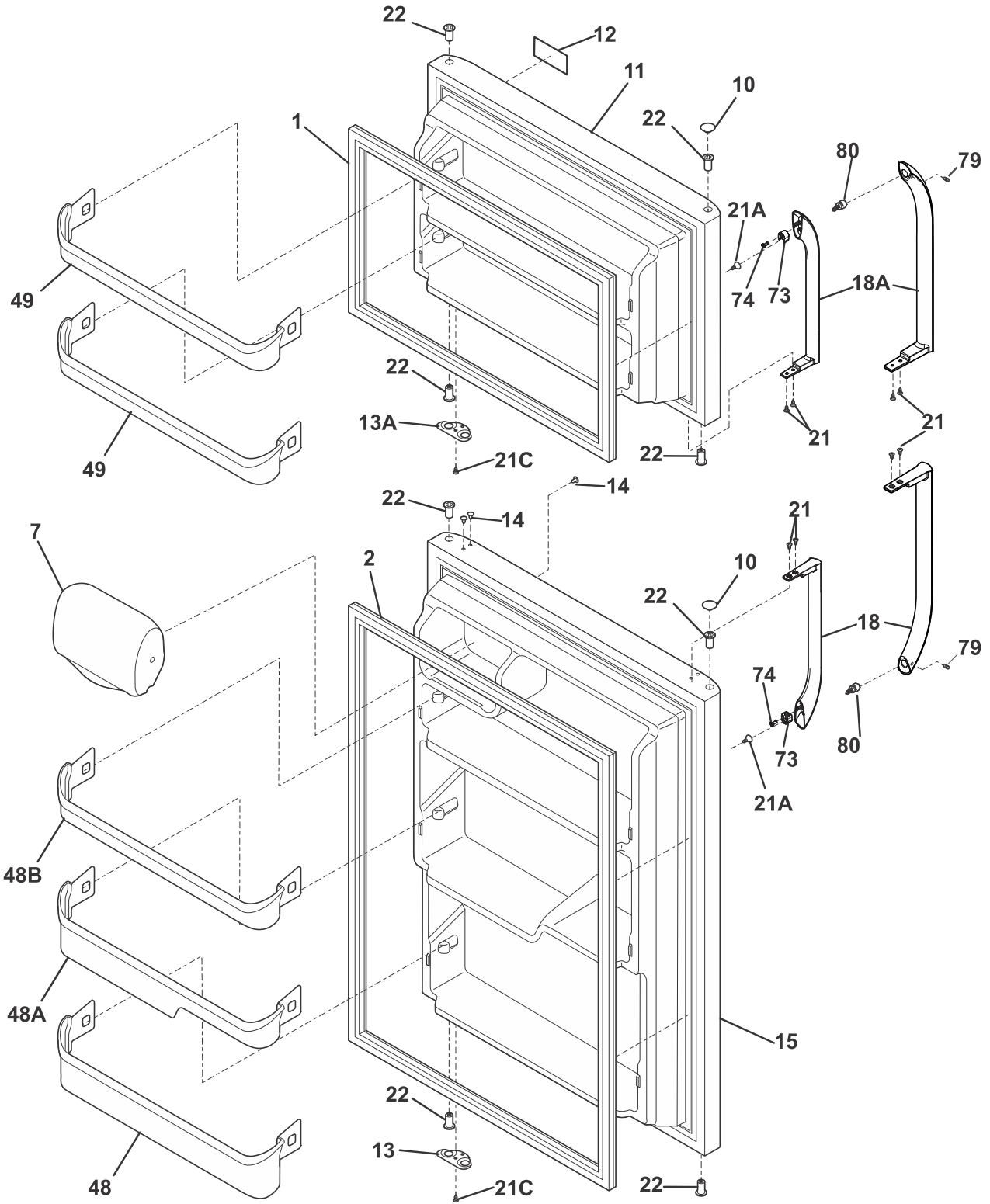
P.O. BOX 8020
CHARLOTTE, NC 28262

Publication No.
5995698890
18/02/21
(EN/SERVICE/CW)
390

TOP-MOUNT REFRIGERATOR

Model No.
FFTR1830Q

DOOR



DRFFHT1831QE0

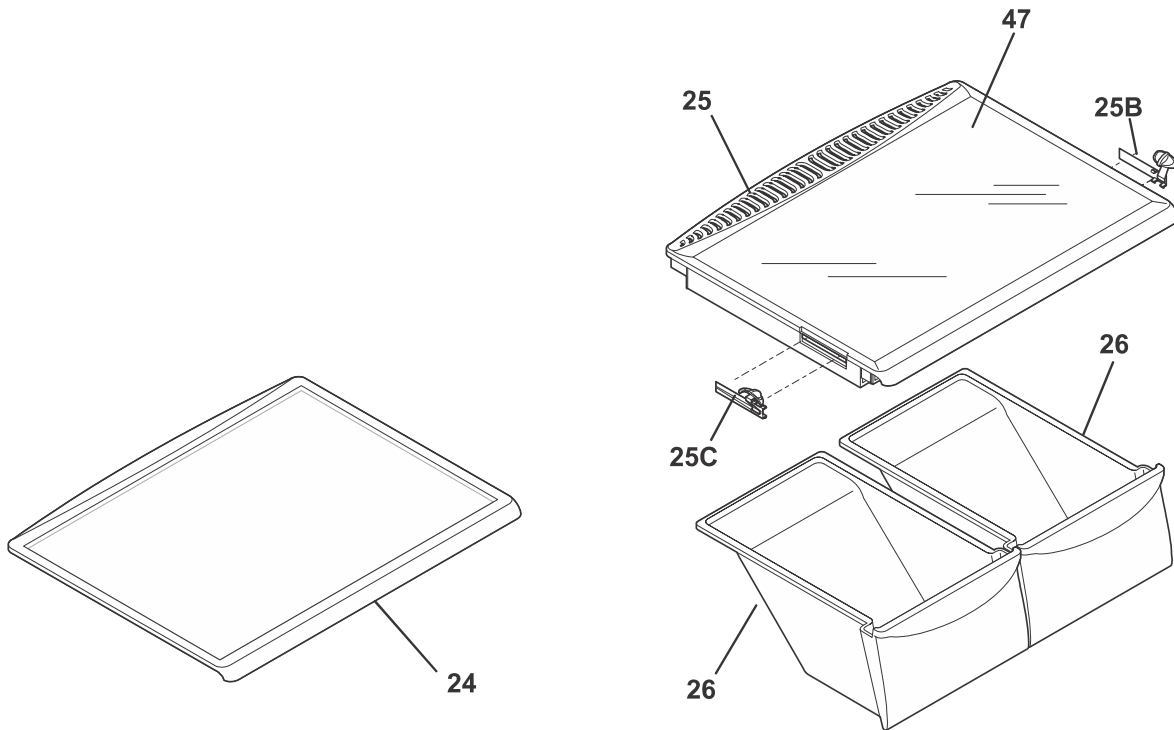
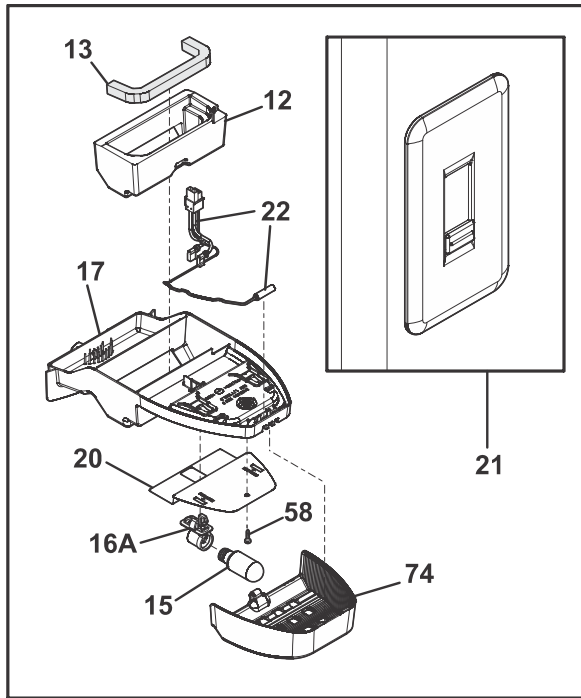
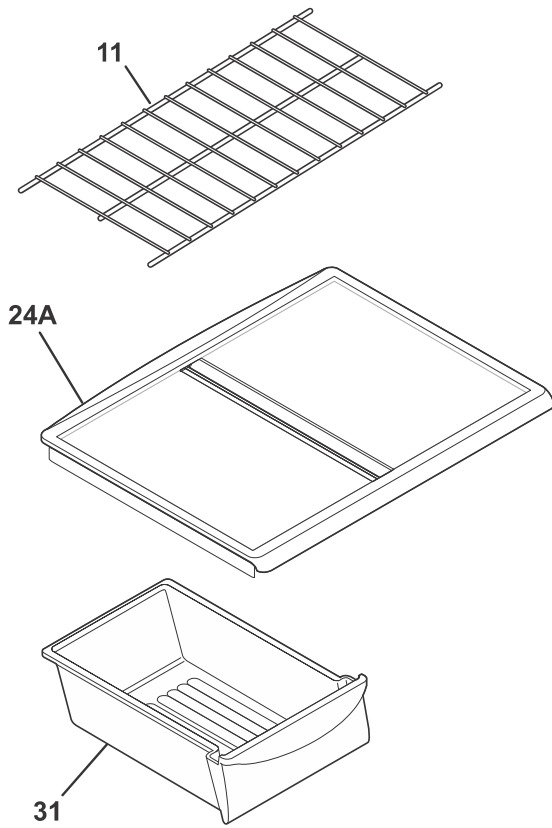
DOOR

POS. NO	PART NO.	DESCRIPTION
1	242193209	Gasket-frzr door, black, magnetic
2	242193212	Gasket-refr door, black, magnetic
7	240337712	Door-dairy
10	240381307	Plug-button, gray, hinge brg hole, (2)
12	5304511146	Nameplate, chrome
13	240312422	Door Stop, black, ref
13A	240312415	Door Stop, black, frzr
14	240494007	Plug-button, gray
18	242075202	Handle-door, stainless, refr-RH/frzr-LH
18A	242075201	Handle-door, stainless, refr-LH/frzr-RH
21	240383406	Screw, truss hd quad, #10-16 x .500, zinc
21C	218252201	Screw, #8 truss hd, 10-32CA x 0.500
22	5304507147	Bearing-hinge, black, (8)
40B*	218515401	Clip-grille
48	240338101	Bin-door
48A	240337901	Bin-door
48B	240338001	Bin-door
49	240495805	Bin-door, pseudo, frzr
58	240433204	Screw, hex washer head, 8-18 x 5/16
79	218755402	Screw-set, 10-32 x .500 in
79*	241601001	Wrench, allen
80	218755504	Screw, shoulder, #10-AB, handle mounting

CABINET

POS. NO	PART NO.	DESCRIPTION
1	242230902	Cover, evaporator fan
2	242229401	Knob, sliding, damper
4	242229501	Damper, fan cover
5	242219302	Fan Blade, evaporator
6	5304497413	Ring, locking, (2)
7	242287501	Grommet, evaporator fan, rear
8	215474201	Washer, "slinger", nylon, evap fan shaft
8	242237301	Grommet, evaporator fan, front
9	242229301	Shroud Bracket, evaporator fan
10	242239304	Cover, coil, white
10*	240568601	Seal-coil cover
12	242249201	Cover, connection, ice maker
12*	241586701	Plug, round, foam, ice maker, water inlet
13 #	242219202	Motor, evaporator fan, blower
13*	218515401	Clip-grille
13*	241953901	Screw, quad hilo, #8-18 x 0.50, (2)
14 #	241554901	Switch-light/lamp
21C	218252201	Screw, #8 truss hd, 10-32CA x 0.500
22	215774918	Plug-button, black, upr hinge holes
30	240314003	Bracket-lower hinge, black
34	240311303	Washer, hinge, nylon, (2)
35	240313803	Bracket-ctr hinge, black
35A	240336803	Spacer-hinge, center, black
36	240516402	Pin-center hinge
37	242161202	Trim-cabinet corner, black, (2)
38	240313703	Bracket-upper hinge
40	240354404	Cover-upper hinge, black
41	5304500407	Grommet, shelf mtg
42	240578902	Screw, hex head, 1/4-20 x 5/8
43	241889002	Roller Assy, front LH, (2)
43*	241889001	Roller Assy, front RH, (2)
50 #	5303918686	Control and Housing, assembly, complete, w/harness
51 #	808700401	Harness, wiring, main board
54	807854301	Support, housing, main board
56	240516502	Pin-lower hinge
57	240542601	Clip-wiring harness
58	240433204	Screw, hex washer head, 8-18 x 5/16
59	240442707	Screw-#10-32 X 3/4, black
72	241839407	Grille/Kickplate, black
81	5304455650	Screw, hex washer head, 8-15A x 0.625, Low Profile
82	5304418225	Roller, compressor base, rear, (2)
83	5304455655	Rivet, flat head, 1/4 OD x 1-3/4, roller pin
89	241733911	Cover-access, w/label
89*	241500304	Screw, hex washer head, 8-18AB x 0.625
92	241710601	Screw, hex washer hd, 1/4 x 7/8, hinge mtg
*	218990901	Clip-wire
*	240396802	Clamp, tube/wiring, nylon, black/natural
*	240494001	Plug-button, white, cab liner holes

SHELVES

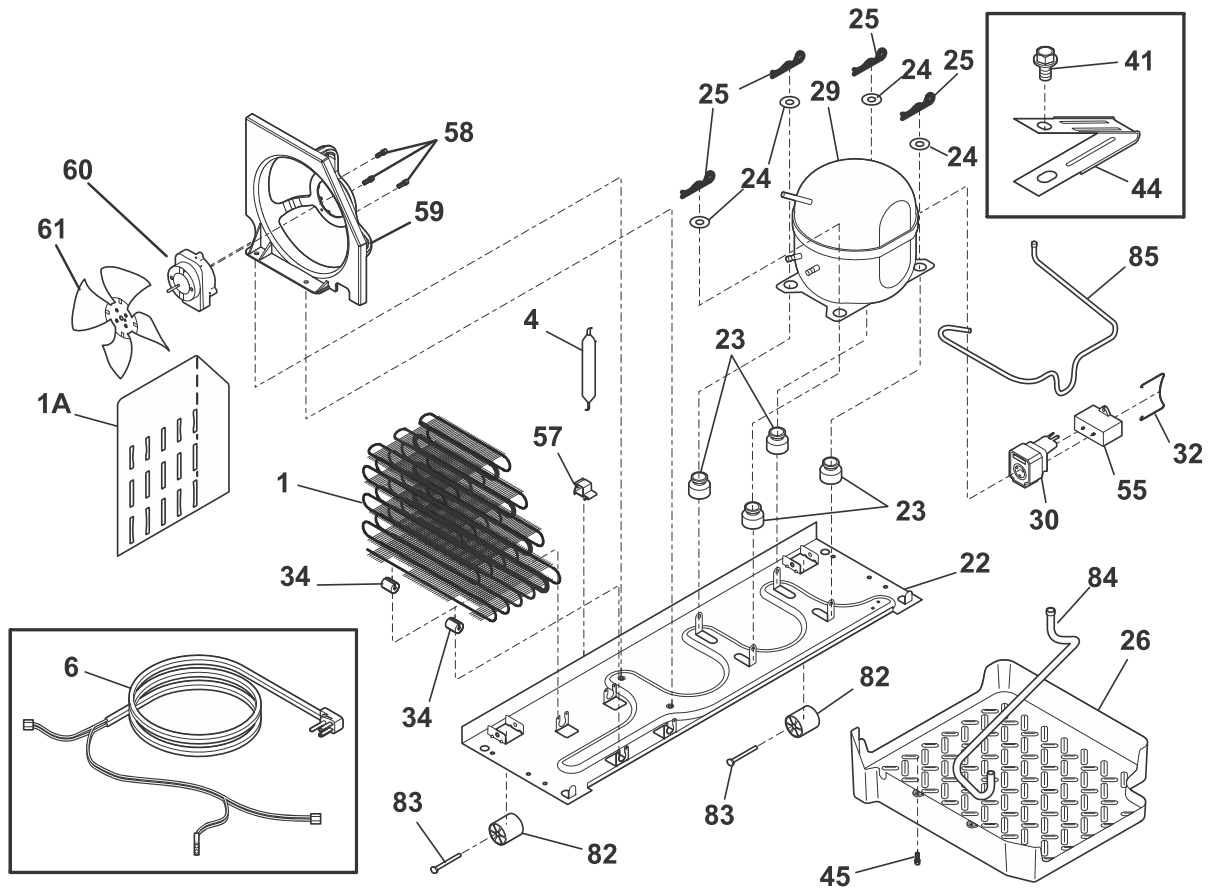
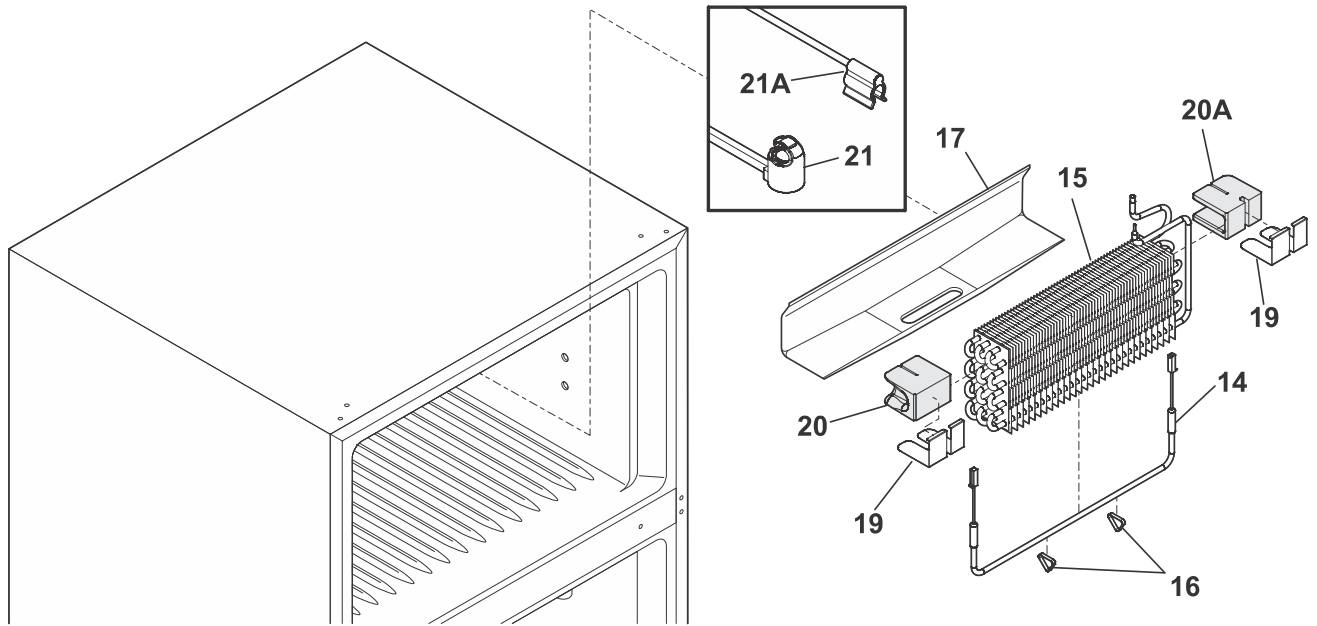


SHFFHT1831QE0

SHELVES

POS. NO	PART NO.	DESCRIPTION
11	240358008	Shelf, freezer
11*	241705801	Spacer-shelf
12	242248501	Diffuser, air, light box
13	240568608	Gasket, air diffuser
15 #	241552807	Light Bulb
16A#	240590403	Socket-light
17	242248401	Box, light/diffuser
20	242248601	Shield, heat
21 #	242249002	Control Assembly, temperature, w/user interfce
22 #	242298701	Harness, wiring, light box, w/FF thermistor
24	240358925	Shelf-"Spill-Safe", sliding
24A	240358926	Shelf-"Spill-Safe", sliding, w/pan hanger
25	240364787	Cover-crisper pan
25B	241613501	Control-humidity, RH
25C	241613502	Control-humidity, LH
26	240337103	Pan-crisper, clear, (2), no graphics
31	240530811	Pan-meat, w/o graphics, clear
47	240350608	Insert-pan cover, 23.82" x 15.50", glass
58	5304455650	Screw, hex washer head, 8-15A x 0.625, Low Profile
74	242248701	Lens, light cover

SYSTEM



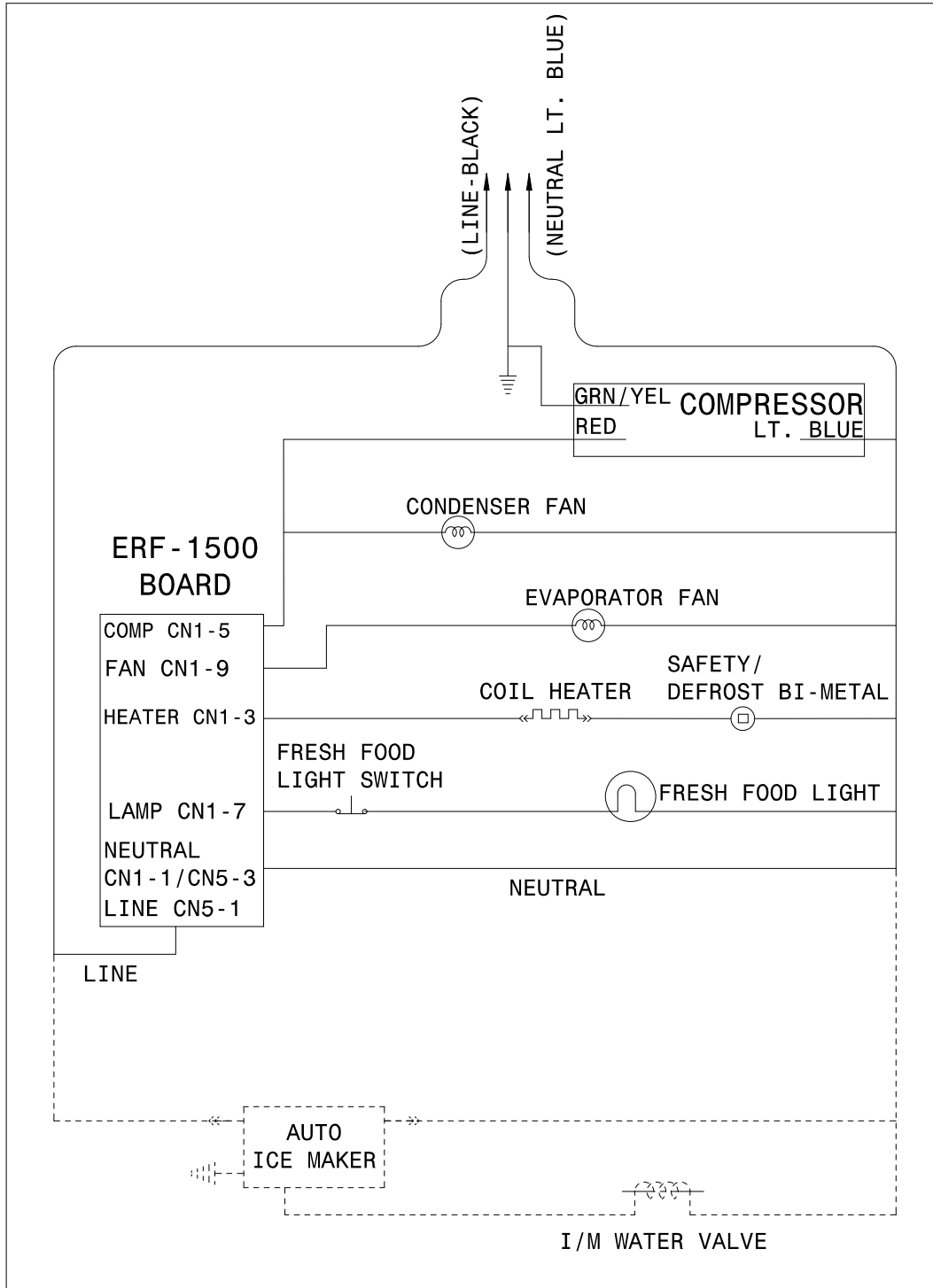
SYFFTR1514QB3

SYSTEM

POS. NO	PART NO.	DESCRIPTION
1 #	5304502821	Condenser, high efficiency
4 #	242190205	Dryer-filter, w/process tube
6 #	242213701	Harness, wiring, machine compt., w/plug
14	242044008	Heater-defrost
15 #	5303918274	Evaporator Kit
16	5308000110	Strap-evap/heater, aluminum, (2)
17	241801301	Trough-drain
19	242320401	Shield, heat, evap block
20	242238401	Block, evaporator, RH
20A	242238301	Block, evaporator, LH
22	241665606	Base-compressor, w/rollers
22*	218252201	Screw, #8 truss hd, 10-32CA x 0.500
23	218513300	Grommet-compr mtg, (4)
24	241812301	Washer-compr mtg
25	242037701	Clip-compressor mtg
26	241920605	Pan-defrost
29 #	240550937	Compressor, w/o electricals
30 #	241941005	Starter
32	297030500	Clamp, elec cont mtg, compressor
34	240405201	Grommet, rubber, black, cond tube/wire
41	240433204	Screw, hex washer head, 8-18 x 5/16
44	5304456288	Clamp-wiring harness, strain relief, galv steel
45	241500304	Screw, hex washer head, 8-18AB x 0.625
55 #	297286803	Capacitor-run
57	240542601	Clip-wiring harness
58	240569202	Screw, 8-18 X .500
59	242050604	Shroud, Condenser Fan
59*	240346701	Tape-foam seal, shroud
59*	240359403	Screw-fan shroud, (2)
60 #	242018301	Motor-condenser fan
61	241639502	Blade-condenser fan
82	5304418225	Roller, compressor base, rear, (2)
83	5304455655	Rivet, flat head, 1/4 OD x 1-3/4, roller pin
84	240500801	Tube-drain, rubber, lower
85	5304502967	Tube-connector, suction
*	5303918222	Hot Tube Repair Kit, service
*	5303918263	Heat Exchanger Kit, suction line

WIRING SCHEMATIC

**LADDER SCHEMATIC-TOP MOUNTS WITH OPTIONAL ICE MAKER,
FREEZER LIGHT OR MID-LEVEL LIGHTING**



WIRING DIAGRAM

